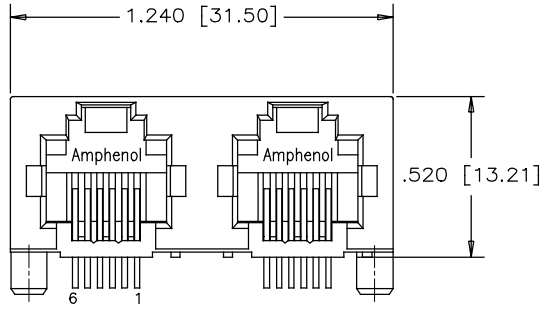
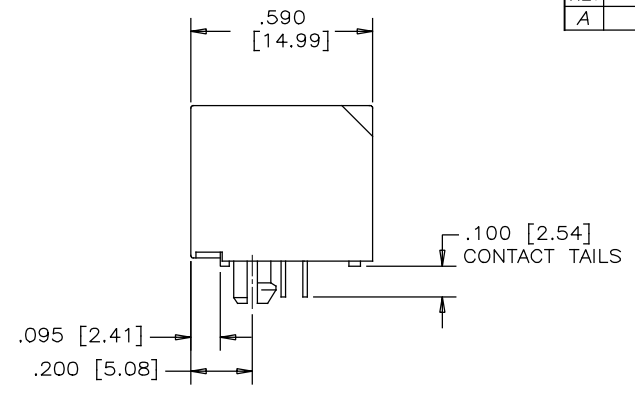


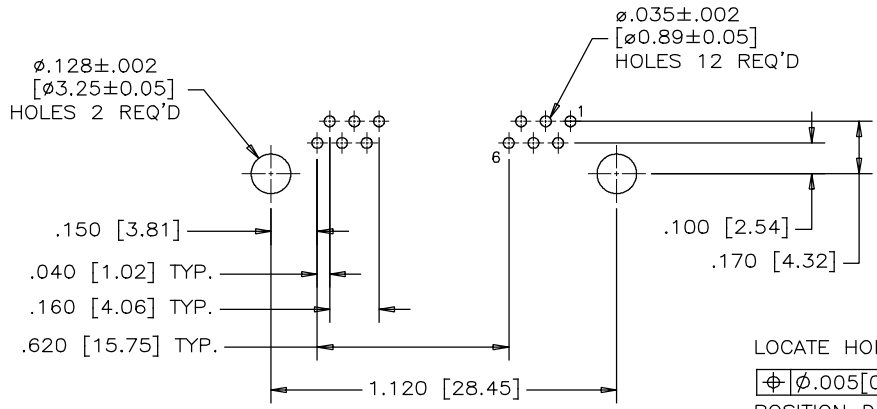
REVISIONS			
REV	DESCRIPTION, ECN, EAR NO.	DATE	APP'D
A	PROPOSAL DRAWING	JAN 19/15	L.CHAN



FRONT VIEW



SIDE VIEW



RECOMMENDED P.C.B. LAYOUT  
(COMPONENT SIDE OF BOARD)

LOCATE HOLES  
 $\phi \phi .005 [0.13]$   
 POSITION DIMENSIONS  
 ARE BASIC



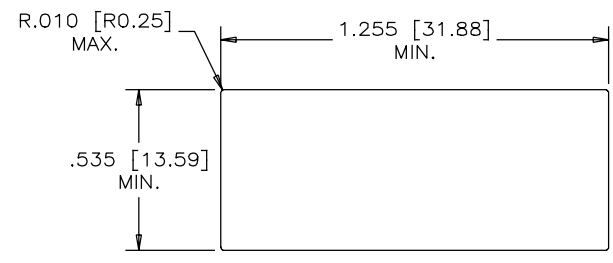
MATERIALS:

PLASTIC HOUSING: ENGINEERING THERMOPLASTIC  
 FLAMMABILITY RATING UL 94V-0

CONTACTS:

PHOSPHOR BRONZE  
 PLATING: 50 μ" [1.27 MICRONS]  
 MIN. GOLD ON MATING SURFACES.  
 50 μ" [1.27 MICRONS]  
 MIN. NICKEL UNDERPLATE  
 100 μ" [2.54 MICRONS]  
 MIN. MATTE TIN ON CONTACT TAILS.

PART NUMBER: RJHSE-7060-02



RECOMMENDED PANEL CUTOUT

UNLESS SPECIFIED OTHERWISE	DRAWN <i>Frank.W</i>	DATE <i>JAN19/15</i>
PRIMARY UNITS INCH	CHECKED <i>Lawrence.C</i>	<i>JAN19/15</i>
SECONDARY MILLIMETER	M.E. APP'D	
REFERENCE IN PARENTHESES	Q.A. APP'D	
GENERAL TOLERANCES	DWG APPR.	
1 DECIMAL PLACE ±0.025	ENG. REL. NO.	
2 DECIMAL PLACES ±0.020	REF.	
3 DECIMAL PLACES ±0.015	THIRD ANGLE PROJECTION	DO NOT SCALE DRAWING
ANGULAR DEGREES ±1.0°		

<b>Amphenol Canada Corp.</b> www.amphenolcanada.com	
TITLE RJHSE SERIES, 2 PORT, HIGH SPEED, MODULAR JACK, 6 POSITION, 6 CONTACTS, UNSHIELDED, WITHOUT LED - RoHS COMPLIANT	
DWG. NO.	P-RJHSE-7060-02 REV A
CODE ID NO. 03554	DWG SIZE: C SCALE: N/A SHEET 1 OF 1