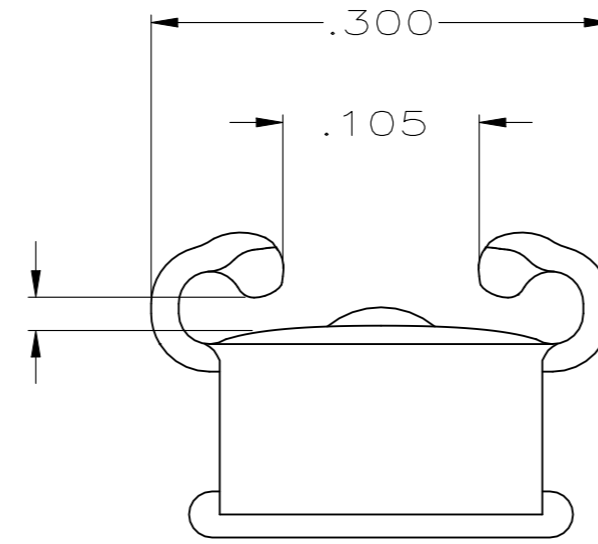
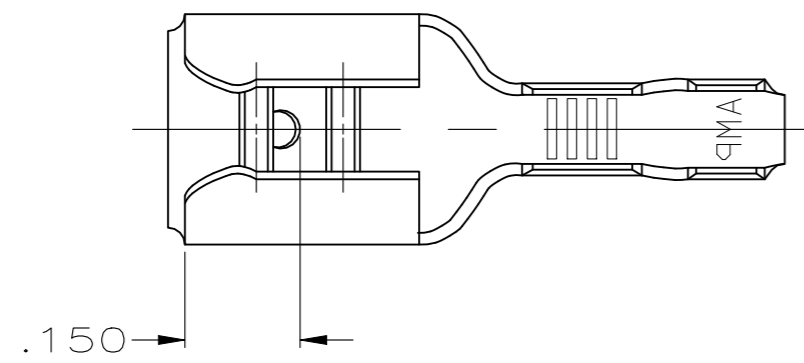
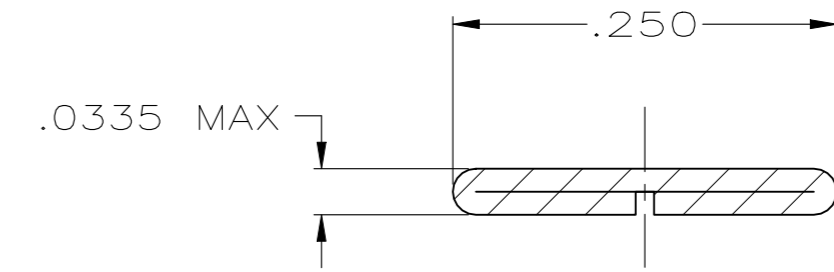


REVISIONS					
P	LTR	DESCRIPTION	DATE	DWN	APVD
A1		REVISED PER ECR-21-113405	31MAY2022	SS	DH

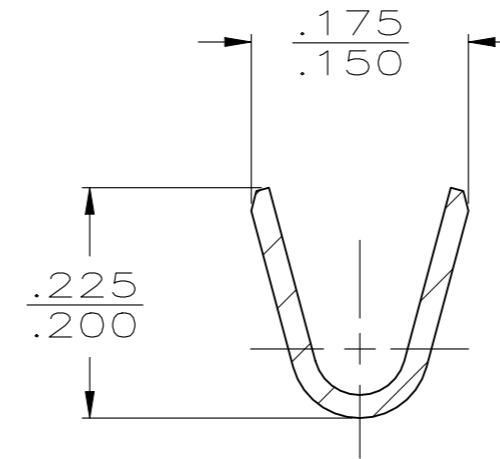
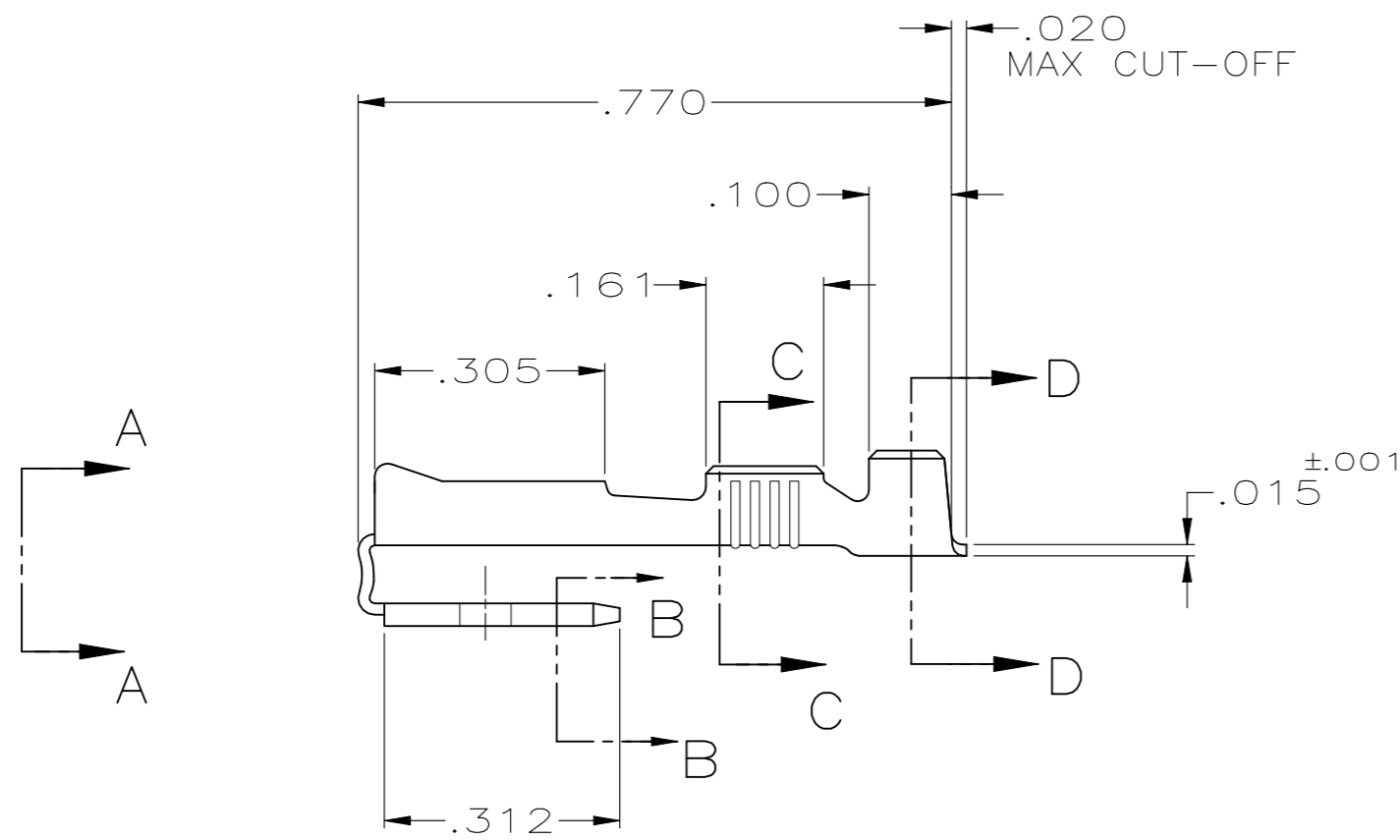
- SUPPLIED IN LOOSE PIECE
- THE GAP ON THE ROLLS TO BE IN CONTACT WITH THE TAB FOR THE LENGTH OF THE ROLL BEHIND THE LEAD-IN.



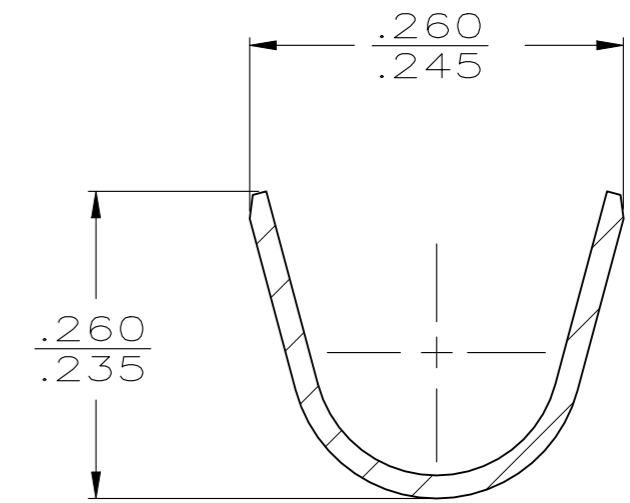
— FITS .250 SERIES FASTON TAB
VIEW A-A
SCALE 8:1



SECTION B-B
SCALE 8:1



SECTION C-C
SCALE 8:1



SECTION D-D
SCALE 8:1

62049-2	BRASS	.150-.200	14-10	.032	62090-1
STRIP	MATERIAL	INSULATION RANGE	WIRE SIZE	MATING TAB THK ±.001	PART NO

THIS DRAWING IS A CONTROLLED DOCUMENT.		DWN JR RUTH 12/8/94	 TE Connectivity RECEPTACLE, FASTON, PIGGYBACK, .250 SERIES		
DIMENSIONS: INCHES		CHK MS FEHER 12/8/94			
TOLERANCES UNLESS OTHERWISE SPECIFIED:		APVD P DESANTIS 12/8/94			
0 PLC ± - 1 PLC ± - 2 PLC ± - 3 PLC ± .015 4 PLC ± - ANGLES ± -		NAME			
MATERIAL SEE TABLE		FINISH TIN	PRODUCT SPEC APPLICATION SPEC	SIZE A2	CAGE CODE 00779
		WEIGHT 0.000000	DRAWING NO C=62090	RESTRICTED TO	
		CUSTOMER DRAWING	SCALE 4:1	SHEET 1 OF 1	REV A1