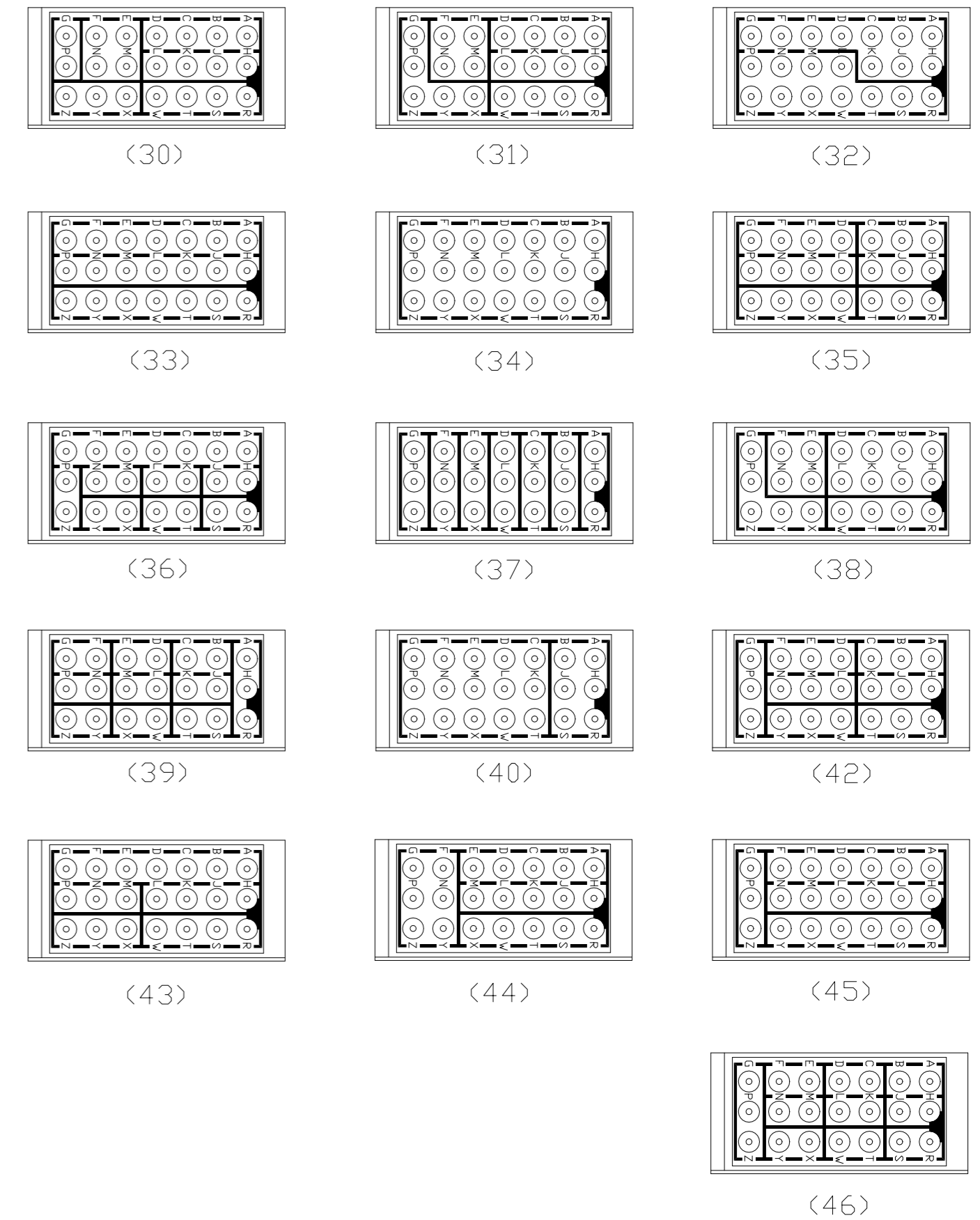
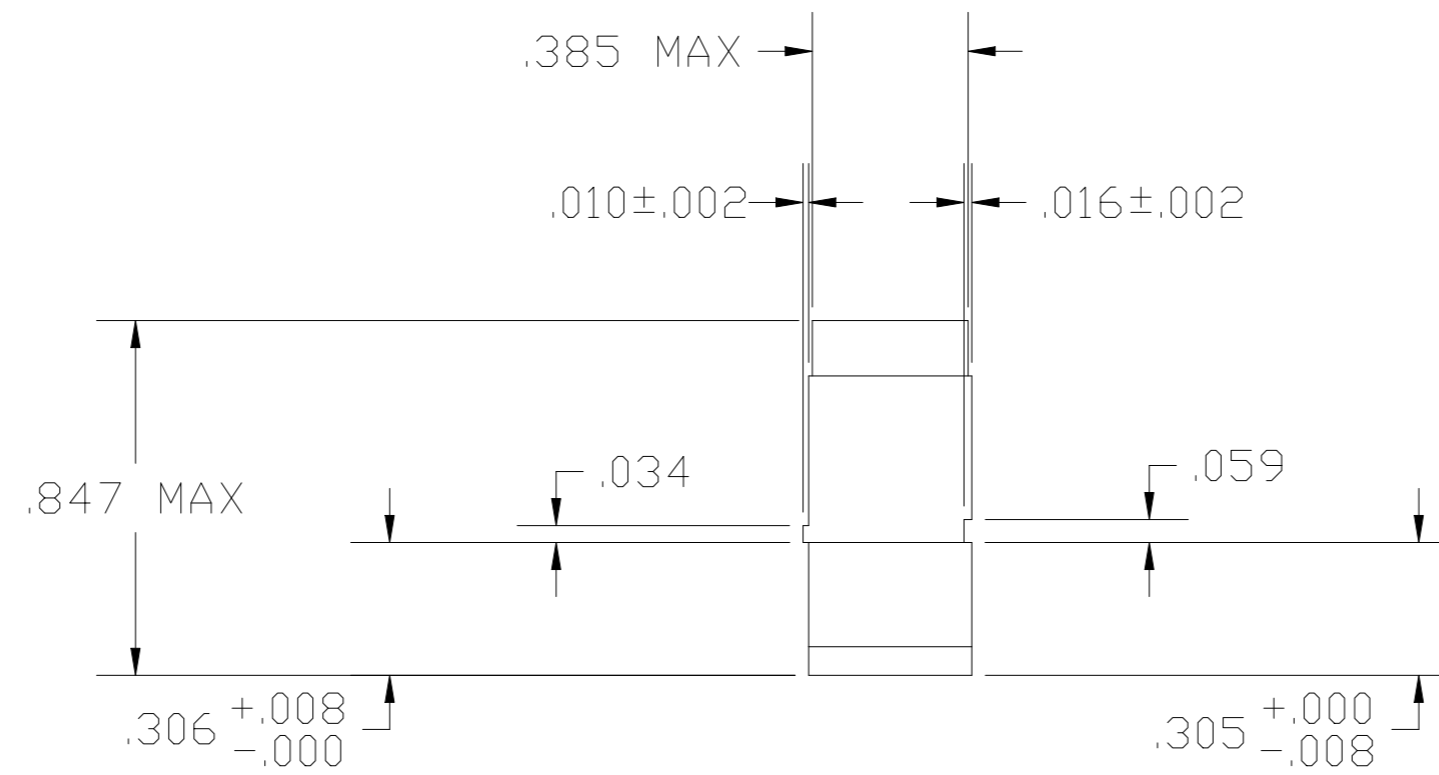
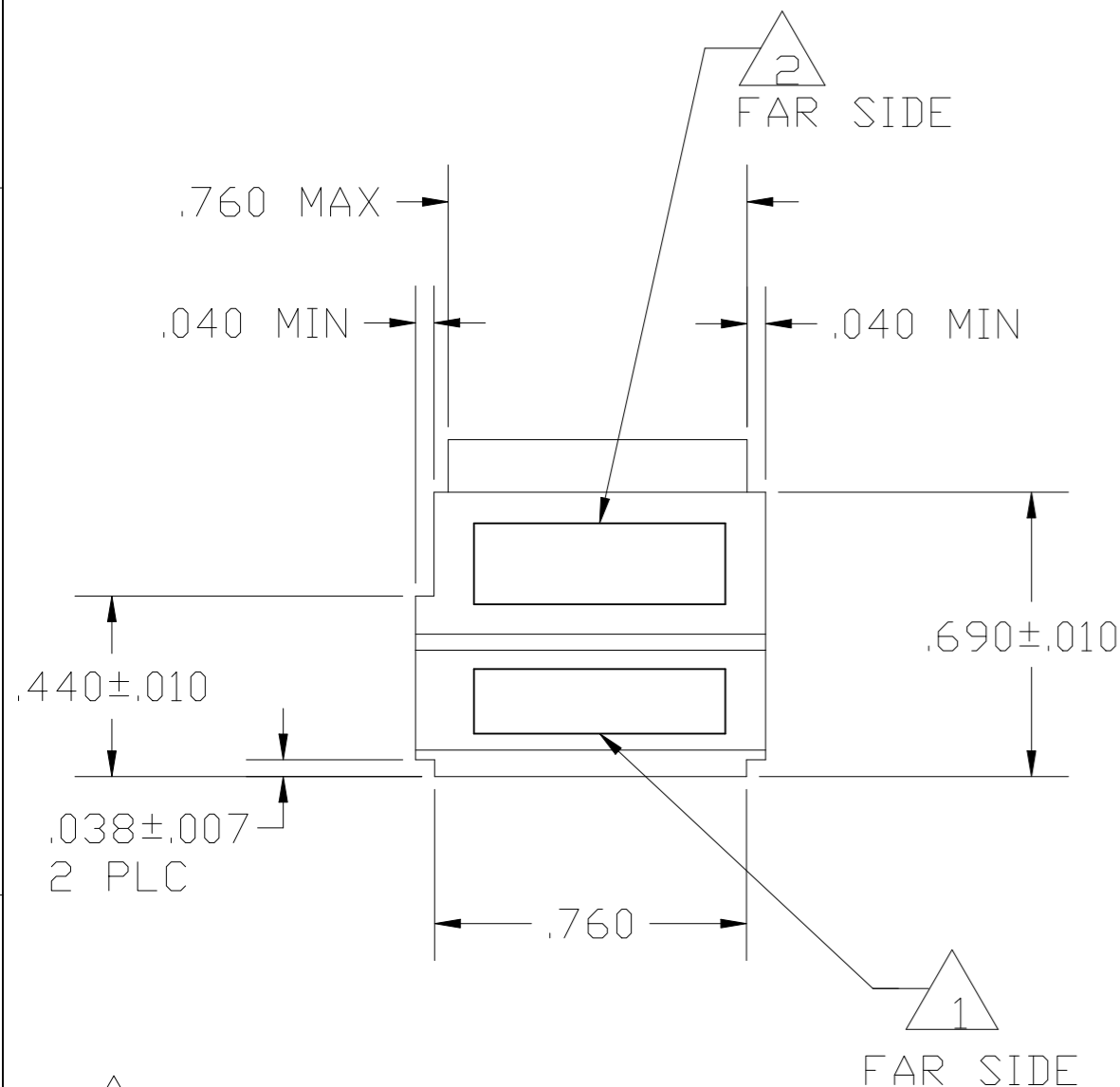
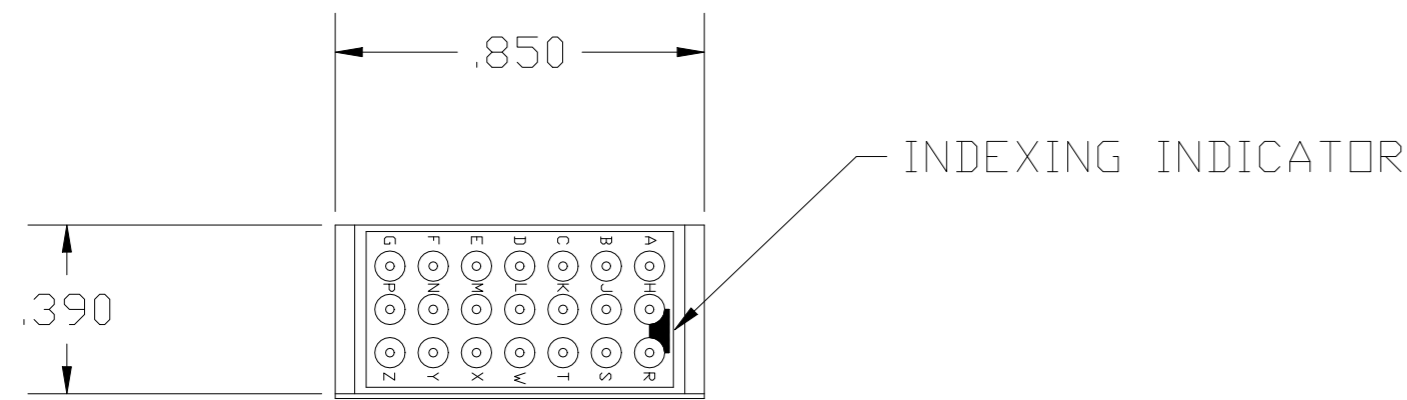


DESCRIPTION	MATERIAL	FINISH
MODULE ASSEMBLY	EPOXY	COLOR: BLACK
GROMMET	FLUORSILICONE RUBBER	COLOR: BLUE
CONTACT SOCKET	BERYLLIUM COPPER PER QQ-C-533	GOLD PLATE PER MIL-G-45204
RETAINING CLIP	BERYLLIUM COPPER PER QQ-C-533 OR STAINLESS STEEL PER QQ-S-766	NONE
CONTACTS	COPPER ALLOY PER MIL-C-39029/1	GOLD PLATE PER MIL-G-45204
SEALING PLUGS	F.E.P. PER MIL-P-19468	COLOR: BLACK

P	LTR	DESCRIPTION	DATE	OWN	APVD
F		REVISED PER ECN-23-218303	19JUN2023	AG	FN



BUSSING ARRANGEMENTS 3

3 BUSSING ARRANGEMENT OUTLINE DENOTES INTERNAL ARRANGEMENT OF CONTACT SOCKETS.

2 MODULE ASSEMBLY MARKED WITH CUSTOMER PART NO., MILITARY PART NO. IF REQUIRED .060 MINIMUM HIGH CHARACTERS AT APPROXIMATE AREA SHOWN.

1 MODULE ASSEMBLY MARKED WITH "TE", TE PART NO. AND DATE CODE .060 MINIMUM HIGH CHARACTERS AT APPROXIMATE AREA SHOWN.

THIS DRAWING IS A CONTROLLED DOCUMENT.		Dwn J. MECK 3-10-93	TE TE Connectivity	
DIMENSIONS: INCHES		CHK R. RYAN 3-31-93		
TOLERANCES UNLESS OTHERWISE SPECIFIED:		APVD R. RYAN 3-31-93	NAME -	
0 PLC ± -		PRODUCT SPEC	MODULE ASSY, FEED-BACK, SIZE 21, TJ	
1 PLC ± -		APPLICATION SPEC	-	
2 PLC ± -		SCALE	CAGE CODE	DRAWING NO
3 PLC ± .005		WEIGHT	A200779	C=592629
4 PLC ± -		CUSTOMER DRAWING	SCALE 2:1	SHEET 1 OF 2
ANGLES ± -		FINISH	RESTRICTED TO	REV F

REVISIONS				
P	LTR	DESCRIPTION	DATE	OWN
-	-	SEE SHEET 1	-	-

Part No.	46	45	44	43	42	40	39	38	37	36	35	34	33	32	31	30	SEALING PLUG QTY 2	CONTACTS QTY 22	PART NO.
MRTB21D43				X													--	--	4-592629-9
MRTB21D39						X											--	--	4-592629-8
M81714/17-D30															X		X	X	4-592629-7
M81714/17-D45		X															X	X	4-592629-5
M81714/17-D36										X							X	X	4-592629-4
M81714/17-D43				X													X	X	4-592629-3
M81714/17-D42					X												X	X	4-592629-2
M81714/17-D41																	OBsolete		4-592629-1
-----					X												--	--	4-592629-0
-----																	SUPERCEDED BY 4-592629-9		3-592629-3
MRTB21D42																	--	--	3-592629-2
MRTB21D44			X																3-592629-1
MRTB21D37										X									3-592629-0
MRTB21D36											X								2-592629-9
MRTB21D35												X							2-592629-8
MRTB21D34													X						2-592629-7
MRTB21D32														X					2-592629-6
MRTB21D31															X				2-592629-5
MRTB21D30																X			2-592629-4
G383962-1								X									X	X	2-592629-3
-----																			2-592629-2
77A112809-2		X																	2-592629-1
-----																			2-592629-0
M81714/17-D44			X																1-592629-9
-----																			1-592629-8
M81714/17-D40						X													1-592629-7
-----																			1-592629-6
M81714/17-D39							X												1-592629-5
-----																			1-592629-4
M81714/17-D38								X											1-592629-3
-----																			1-592629-2
M81714/17-D37									X										1-592629-1
-----																			1-592629-0
M81714/17-D35										X									592629-9
-----																			592629-8
M81714/17-D34											X								592629-7
-----																			592629-6
M81714/17-D33													X						592629-5
-----																			592629-4
M81714/17-D32														X					592629-3
-----																			592629-2
M81714/17-D31															X				592629-1

MARKING



THIS DRAWING IS A CONTROLLED DOCUMENT.

DIMENSIONS: INCHES	TOLERANCES UNLESS OTHERWISE SPECIFIED: 0 PLC ± - 1 PLC ± - 2 PLC ± - 3 PLC ± .005 4 PLC ± - ANGLES ± -
MATERIAL	FINISH

OWN J. MECK 3-10-93		NAME	-
CHK R. RYAN 3-31-93		PRODUCT SPEC	-
APVD R. RYAN 3-31-93		APPLICATION SPEC	-
SIZE		CAGE CODE	DRAWING NO
WEIGHT 0	A200779	C=592629	-
CUSTOMER DRAWING		SCALE 2:1	SHEET 2 OF 2