

ECS-P-122X169-S-UV1-2PRC5 - Front plate



1143771

<https://www.phoenixcontact.com/us/products/1143771>

Please be informed that the data shown in this PDF document is generated from our online catalog. Please find the complete data in the user documentation. Our general terms of use for downloads are valid.

ECS family faceplate, ready for integration of two PV PRC5 connectors, screw locking, rated IP66/67/69 when combined with ECS housing, Color: Black (9005), Width: 163 mm, Height: 30 mm, Depth: 62 mm



Your advantages

- Housing design supports the installation of a range of PCB thicknesses for high application diversity
- Optional accessories for wall and mast mounting
- Proven PCB connection technology
- Integrated tamper protection
- Effective protection of electronics against thermal and mechanical influences

Commercial data

Item number	1143771
Packing unit	1 pc
Sales key	AC04
Product key	ACFDAB
GTIN	4063151130367
Weight per piece (including packing)	109.84 g
Weight per piece (excluding packing)	109.84 g
Customs tariff number	84879090
Country of origin	US

ECS-P-122X169-S-UV1-2PRC5 - Front plate

1143771

<https://www.phoenixcontact.com/us/products/1143771>

Technical data

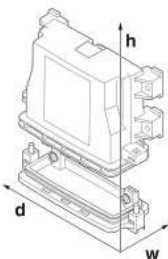
Notes

General	Refer to the data sheet for the range in the download area.
---------	---

Product properties

Product type	Front plate
Housing type	outdoor housings
Housing series	ECS

Dimensions

Dimensional drawing	
Width	163 mm
Height	30 mm
Depth	62 mm

PCB design

PCB thickness	1.57 mm ... 2.36 mm
---------------	---------------------

Material specifications

Color	black (9005)
Flammability rating according to UL 94	V0
Surface characteristics	untreated
Impact strength	IK08
Housing material	PC (polycarbonate)

Environmental and real-life conditions

Vibration test

Specification	IEC 60068-2-6:2007-12
Frequency	10 - 2000 - 10 Hz
Sweep speed	1 octave/min
Acceleration	15g (61.6 Hz ... 2000 Hz)
Test duration per axis	2.5 h
Test directions	X-, Y- and Z-axis

Glow-wire test

Specification	IEC 60695-2-11:2014-02
---------------	------------------------

ECS-P-122X169-S-UV1-2PRC5 - Front plate



1143771

<https://www.phoenixcontact.com/us/products/1143771>

Temperature	850 °C
Time of exposure	30 s

Mechanical strength / tumbling barrel

Specification	IEC 60068-2-31:2008-05
Height of fall	50 cm
Frequency	50

Shocks

Specification	IEC 60068-2-27:2008-02
Pulse shape	Semi-sinusoidal
Acceleration	50g
Shock duration	11 ms
Number of shocks per direction	3
Test directions	X-, Y- and Z-axis (pos. and neg.)

Salt spray test

Specification	DIN EN 60068-2-11:2000-02
Test duration	96 h

Test for substances that would hinder coating with paint or varnish

Specification	VDMA 24364:2018-05
Result	Test passed

Degree of protection (IP code)

Specification	IEC 60529:1989-11 + AMD 1:1999-11 + AMD 2:2013-08
Result, degree of protection, IP code	IP66/IP68 (2 m/24 h)

Ambient conditions

Degree of protection	IP66/IP67
Max. NEMA code to attain	6
Impact strength	IK08
Ambient temperature (operation)	-40 °C ... 100 °C
Ambient temperature (storage/transport)	-40 °C ... 100 °C

PCB data

Thickness of the PCB	1.57 mm ... 2.36 mm
----------------------	---------------------

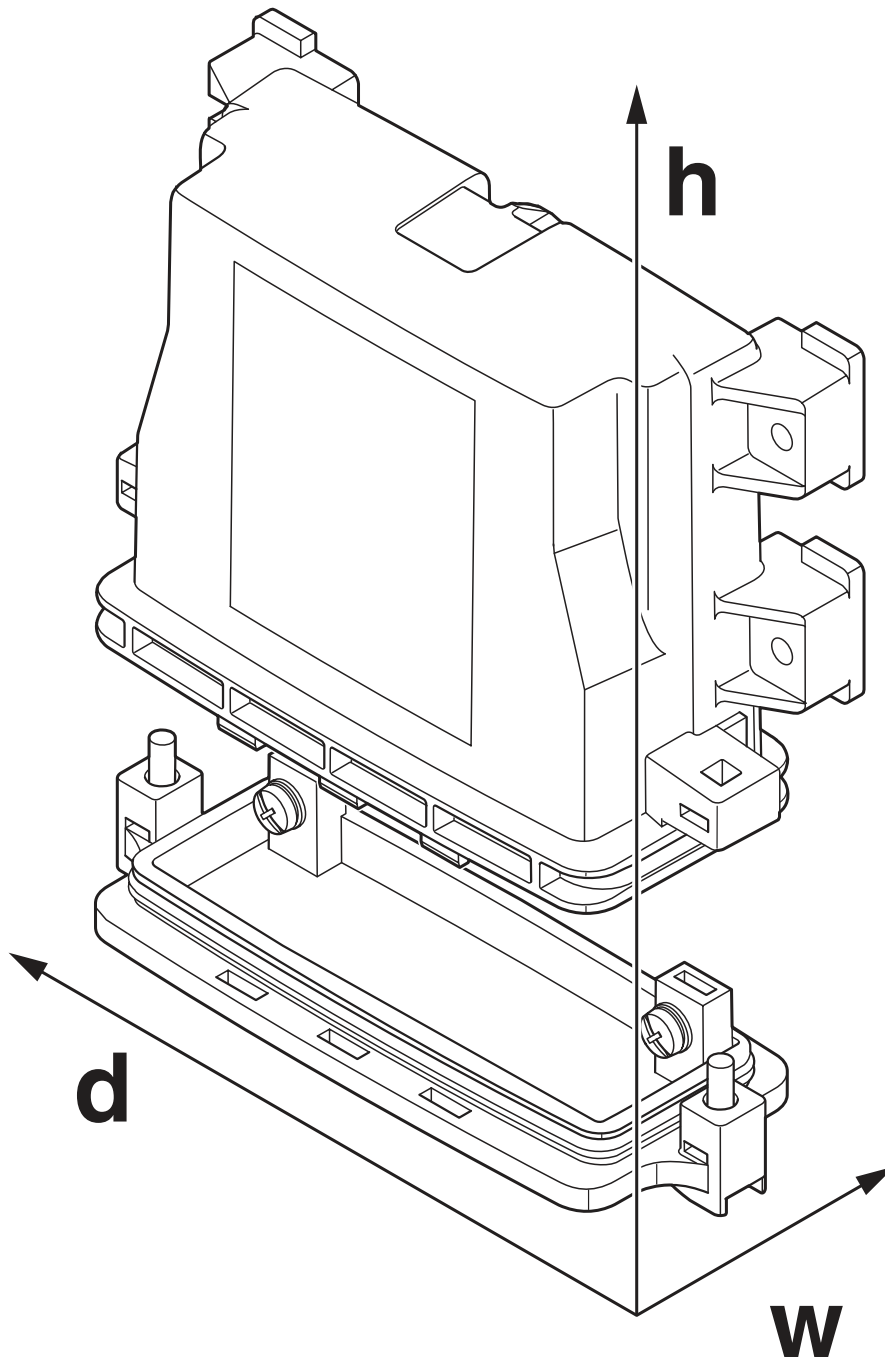
ECS-P-122X169-S-UV1-2PRC5 - Front plate

1143771

<https://www.phoenixcontact.com/us/products/1143771>

Drawings

Dimensional drawing



Schematic figure for illustrating the item dimensions. The figure is not of the desired product. For further details, refer to the product drawings in the "Downloads" tab.

ECS-P-122X169-S-UV1-2PRC5 - Front plate



1143771

<https://www.phoenixcontact.com/us/products/1143771>

Classifications

ECLASS

ECLASS-11.0	27182702
ECLASS-13.0	27190603

ETIM

ETIM 8.0	EC001031
----------	----------

UNSPSC

UNSPSC 21.0	31261500
-------------	----------

ECS-P-122X169-S-UV1-2PRC5 - Front plate



1143771

<https://www.phoenixcontact.com/us/products/1143771>

Mandatory accessories

ECS-B-122X169-S-UV1-V - Electronic housing

2230002

<https://www.phoenixcontact.com/us/products/2230002>



Screw locking vented enclosure of the ECS Family. IP66/67/69 rated when mated with associated faceplate. Color: Black (9005), Width: 164 mm, Height: 176 mm, Depth: 64 mm

ECS-B-122X169-S-UV1-NV - Electronic housing

2230003

<https://www.phoenixcontact.com/us/products/2230003>



Screw locking non-vented enclosure of the ECS family. IP66/67/69 rated when mated with associated faceplate. Color: Black (9005), Width: 164 mm, Height: 176 mm, Depth: 64 mm

ECS-P-122X169-S-UV1-2PRC5 - Front plate

1143771

<https://www.phoenixcontact.com/us/products/1143771>

ECS-B-122X109-S-UV1-V - Electronic housing

1054710

<https://www.phoenixcontact.com/us/products/1054710>

Screw locking vented enclosure of the ECS Family. IP66/67/69 rated when mated with associated faceplate. Color: Black (9005), Width: 164 mm, Height: 116 mm, Depth: 64 mm



ECS-B-122X109-S-UV1-NV - Electronic housing

1054711

<https://www.phoenixcontact.com/us/products/1054711>

Screw locking non-vented enclosure of the ECS family. IP66/67/69 rated when mated with associated faceplate. Color: Black (9005), Width: 164 mm, Height: 116 mm, Depth: 64 mm



Accessories

ECS-P-122X169-S-UV1-2PRC5 - Front plate



1143771

<https://www.phoenixcontact.com/us/products/1143771>

SF-TXH 20X100 - Screwdriver

1200151

<https://www.phoenixcontact.com/us/products/1200151>

Screwdriver, Torx[®] with bore hole, TX 20 x 100, two-component handle



Phoenix Contact 2023 © - all rights reserved

<https://www.phoenixcontact.com>

Phoenix Contact USA
586 Fulling Mill Road
Middletown, PA 17057, United States
(+717) 944-1300
info@phoenixcon.com