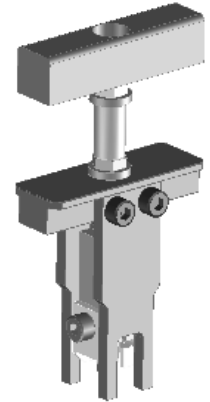




LPH Vertical Receptacle Power Terminal Removal Tool Instruction Sheet Order No. 62100-6300



FEATURES

- % This tool is designed to remove the power terminals from the PC board after the connector housing is removed.
- % Removes terminals without damage to the board or holes.

SCOPE

Products: LPH Vertical Receptacle Assemblies. See Product List below for specific part numbers.

Product List

The following is a partial list of the product order numbers and their specifications this tool is designed to run. Updates to this list are available on www.molex.com.

Connector Order Number	Description
46114-2120	2 power by 12 signal with interlock and guide posts
46114-2121	2 power by 12 signal with interlock
46114-2160	2 power by 16 signal with interlock and guide posts
46114-2161	2 power by 16 signal with interlock
46114-2200	2 power by 20 signal with interlock and guide posts
46114-2201	2 power by 20 signal with interlock
46114-2240	2 power by 24 signal with interlock and guide posts
46114-2241	2 power by 24 signal with interlock
46114-2280	2 power by 28 signal with interlock and guide posts
46114-2281	2 power by 28 signal with interlock
46114-2320	2 power by 32 signal with interlock and guide posts
46114-2321	2 power by 32 signal with interlock
46114-2360	2 power by 36 signal with interlock and guide posts
46114-2361	2 power by 36 signal with interlock
46114-2400	2 power by 40 signal with interlock and guide posts
46114-2401	2 power by 40 signal with interlock
46114-4120	4 power by 12 signal with interlock and guide posts
46114-4121	4 power by 12 signal with interlock
46114-4160	4 power by 16 signal with interlock and guide posts
46114-4161	4 power by 16 signal with interlock
46114-4200	4 power by 20 signal with interlock and guide posts

Connector Order Number	Description
46114-4201	4 power by 20 signal with interlock
46114-4240	4 power by 24 signal with interlock and guide posts
46114-4241	4 power by 24 signal with interlock
46114-4280	4 power by 28 signal with interlock and guide posts
46114-4281	4 power by 28 signal with interlock
46114-4320	4 power by 32 signal with interlock and guide posts
46114-4321	4 power by 32 signal with interlock
46114-4360	4 power by 36 signal with interlock and guide posts
46114-4361	4 power by 36 signal with interlock
46114-4400	4 power by 40 signal with interlock and guide posts
46114-4401	4 power by 40 signal with interlock
46114-6120	6 power by 12 signal with interlock and guide posts
46114-6121	6 power by 12 signal with interlock
46114-6160	6 power by 16 signal with interlock and guide posts
46114-6161	6 power by 16 signal with interlock
46114-8200	8 power by 20 signal with interlock and guide posts
46114-8201	8 power by 20 signal with interlock
46114-8240	8 power by 24 signal with interlock and guide posts
46114-8241	8 power by 24 signal with interlock
46114-8280	8 power by 28 signal with interlock and guide posts
46114-8281	8 power by 28 signal with interlock

LPH Power Terminal Removal Tool

Connector Order Number	Description
46114-6320	6 power by 32 signal with interlock and guide posts
46114-6321	6 power by 32 signal with interlock
46114-6360	6 power by 36 signal with interlock and guide posts
46114-6361	6 power by 36 signal with interlock
46114-6400	6 power by 40 signal with interlock and guide posts
46114-6401	6 power by 40 signal with interlock
46114-8120	8 power by 12 signal with interlock and guide posts
46114-8121	8 power by 12 signal with interlock
46114-8160	8 power by 16 signal with interlock and guide posts
46114-8161	8 power by 16 signal with interlock
46114-8200	8 power by 20 signal with interlock and guide posts
46114-8201	8 power by 20 signal with interlock
46114-8240	8 power by 24 signal with interlock and guide posts
46114-8241	8 power by 24 signal with interlock
46114-8280	8 power by 28 signal with interlock and guide posts
46114-8281	8 power by 28 signal with interlock
46114-8320	8 power by 32 signal with interlock and guide posts
46114-8321	8 power by 32 signal with interlock
46114-8360	8 power by 36 signal with interlock and guide posts
46114-8361	8 power by 36 signal with interlock
46114-8400	8 power by 40 signal with interlock and guide posts
46114-8401	8power by 40 signal with interlock
46114-1012	10 power by 12 signal with interlock and guide posts
46114-1013	10 power by 12 signal with interlock
46114-1016	10 power by 16 signal with interlock and guide posts
46114-1017	10 power by 16 signal with interlock
46114-1020	10 power by 20 signal with interlock and guide posts
46114-1021	10 power by 20 signal with interlock
46114-1024	10 power by 24 signal with interlock and guide posts
46114-1025	10 power by 24 signal with interlock
46114-1028	10 power by 28 signal with interlock and guide posts
46114-1029	10 power by 28 signal with interlock
46114-1032	10 power by 32 signal with interlock and guide posts
46114-1033	10 power by 32 signal with interlock
46114-1036	10 power by 36 signal with interlock and guide posts
46114-1037	10 power by 36 signal with interlock

Connector Order Number	Description
46114-1040	10 power by 40 signal with interlock and guide posts
46114-1041	10 power by 40 signal with interlock
46114-1212	12 power by 12 signal with interlock and guide posts
46114-1213	12 power by 12 signal with interlock
46114-1216	12 power by 16 signal with interlock and guide posts
46114-1217	12 power by 16 signal with interlock
46114-1220	12 power by 20 signal with interlock and guide posts
46114-1221	12 power by 20 signal with interlock
46114-1224	12 power by 24 signal with interlock and guide posts
46114-1225	12 power by 24 signal with interlock
46114-1228	12 power by 28 signal with interlock and guide posts
46114-1229	12 power by 28 signal with interlock
46114-1232	12 power by 32 signal with interlock and guide posts
46114-1233	12 power by 32 signal with interlock
46114-1236	12 power by 36 signal with interlock and guide posts
46114-1237	12 power by 36 signal with interlock
46114-1240	12 power by 40 signal with interlock and guide posts
46114-1241	12 power by 40 signal with interlock
46114-1412	14 power by 12 signal with interlock and guide posts
46114-1413	14 power by 12 signal with interlock
46114-1416	14 power by 16 signal with interlock and guide posts
46114-1417	14 power by 16 signal with interlock
46114-1420	14 power by 20 signal with interlock and guide posts
46114-1421	14 power by 20 signal with interlock
46114-1424	14 power by 24 signal with interlock and guide posts
46114-1425	14 power by 24 signal with interlock
46114-1428	14 power by 28 signal with interlock and guide posts
46114-1429	14 power by 28 signal with interlock
46114-1432	14 power by 32 signal with interlock and guide posts
46114-1433	14 power by 32 signal with interlock
46114-1436	14 power by 36 signal with interlock and guide posts
46114-1437	14 power by 36 signal with interlock
46114-1440	14 power by 40 signal with interlock and guide posts
46114-1441	14 power by 40 signal with interlock

DESCRIPTION

The LPH Power Terminal Removal Tool clamps a pair of power terminals against an anvil then lifts the terminals out of the PCB using a screw-driven slide. The Terminal Removal Tool is shipped with the terminal clamp plates in the closed position, as shown in Figure 1.

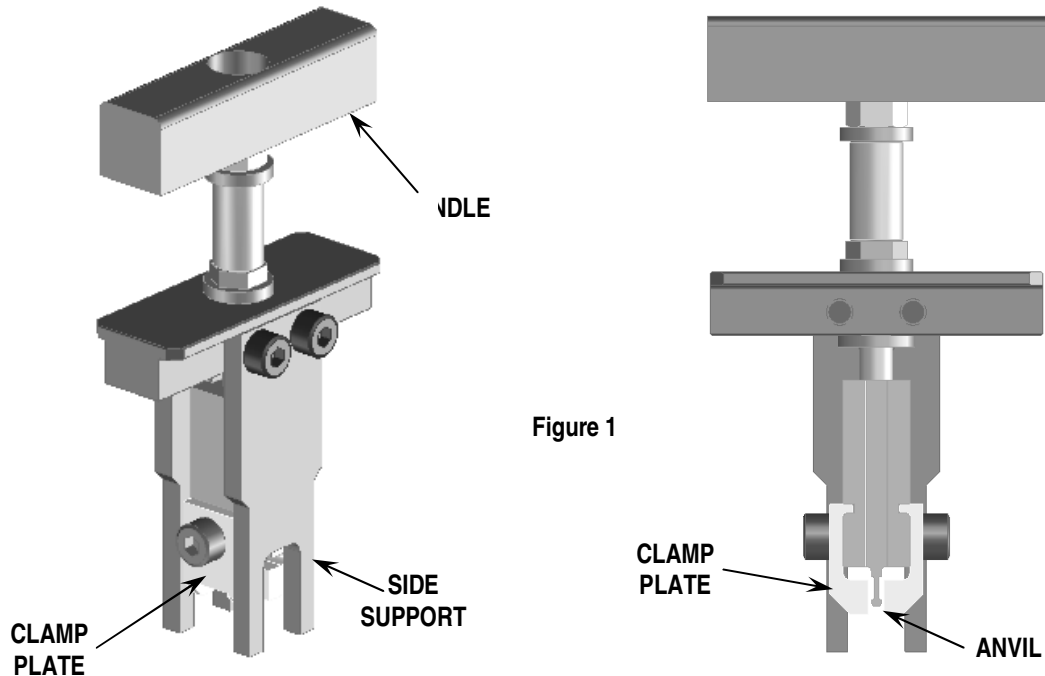


Figure 1

OPERATION

Note: Be sure that all parts of the Removal Tool will clear any components on the printed circuit board during use. Tape may also be placed over circuit traces or on the bottom of the side supports for added protection of the printed circuit board.

1. Remove the connector housing by gripping it with a pair of pliers and pulling it up from the terminals. For larger assemblies, the housing may have to be pulled up gradually. See Figure 2.

Caution: Care must be taken during this procedure to prevent bending of the terminals that are left in place in the printed circuit board.

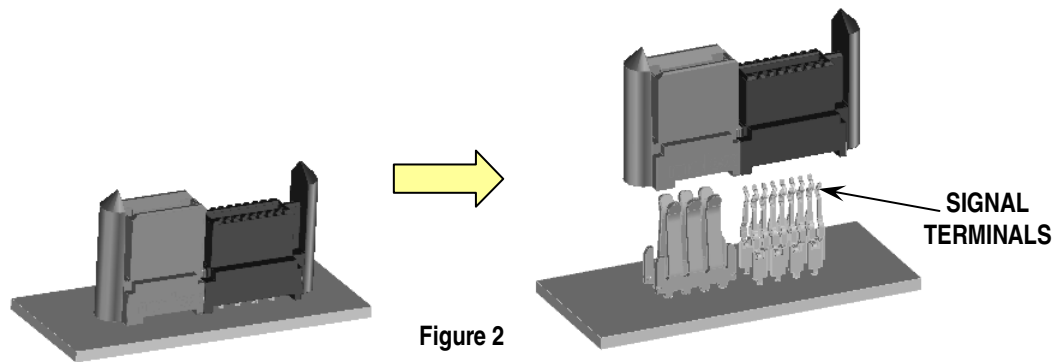
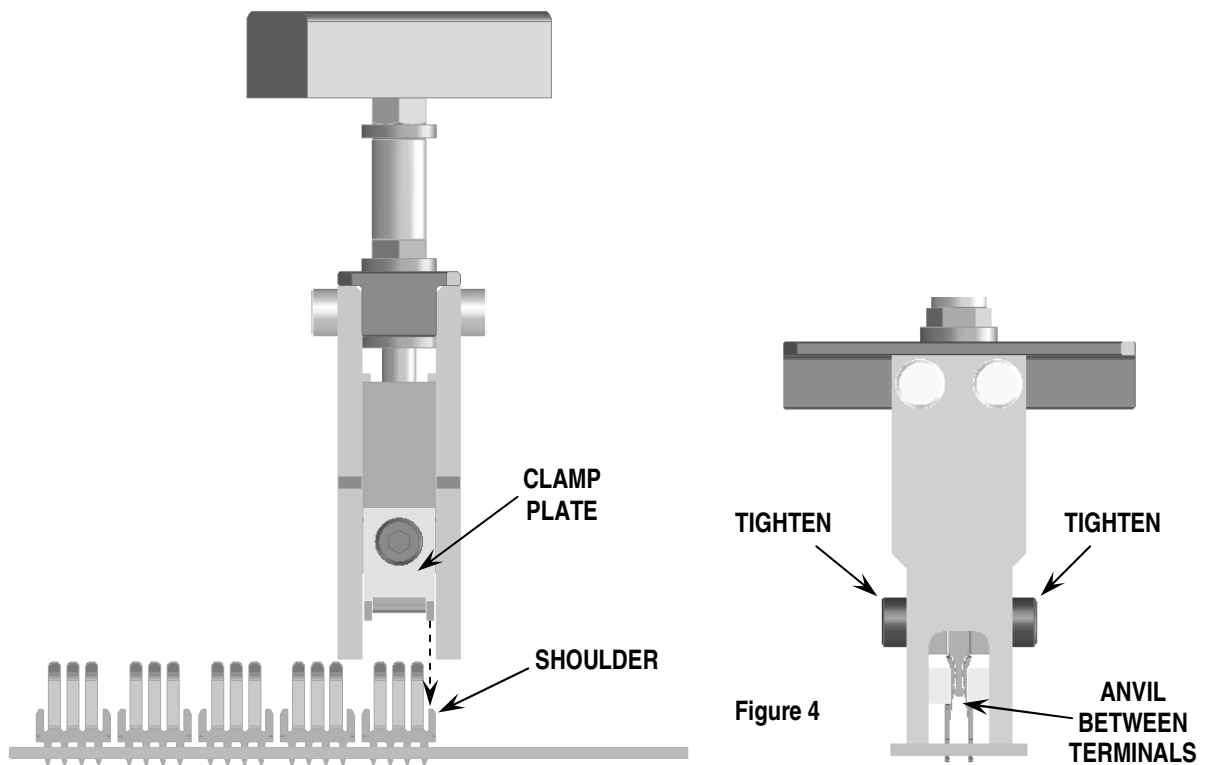
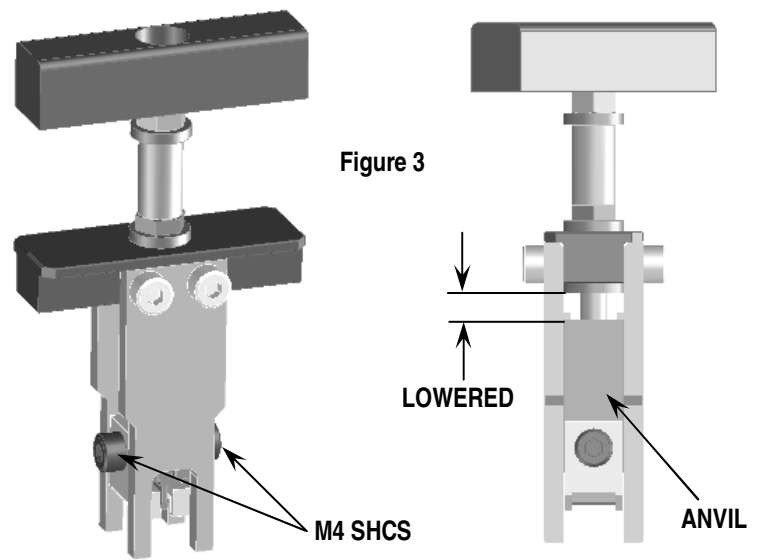


Figure 2

2. Use a needle-nose pliers to remove any signal terminals left in the PCB.
3. Using a 3mm hex key, loosen the M4 SHCS holding the clamp plates. See Figure 3.
4. Before placing the Terminal Removal Tool into the terminals make sure the anvil is lowered. See Figure 3.
5. Position the Anvil Block between terminal rows. The clamp plate bottom rests on top of the terminal shoulder. See Figure 4.
6. Using a 3mm hex key, tighten the (2) clamp plates. The clamp plates fit into a key slot in the anvil. Tighten the M4 SHCS so that the clamp plates “bite” into the terminals. Do not over tighten. See Figure 4.



7. Position the Terminal Removal Tool so that the (2) side supports are resting on the printed circuit board.
8. Turn T-handle (CW) clockwise, making sure the threaded shaft goes into the threaded hole on top of the anvil.
9. Continue turning the T-Handle until the terminals lift up and are removed from the printed circuit board. See Figure 5.
10. Move the Removal Tool away from the printed circuit board. Then remove the terminals from the Removal Tool by loosening the M4 SHCS on the clamp plates and pulling out the terminals.

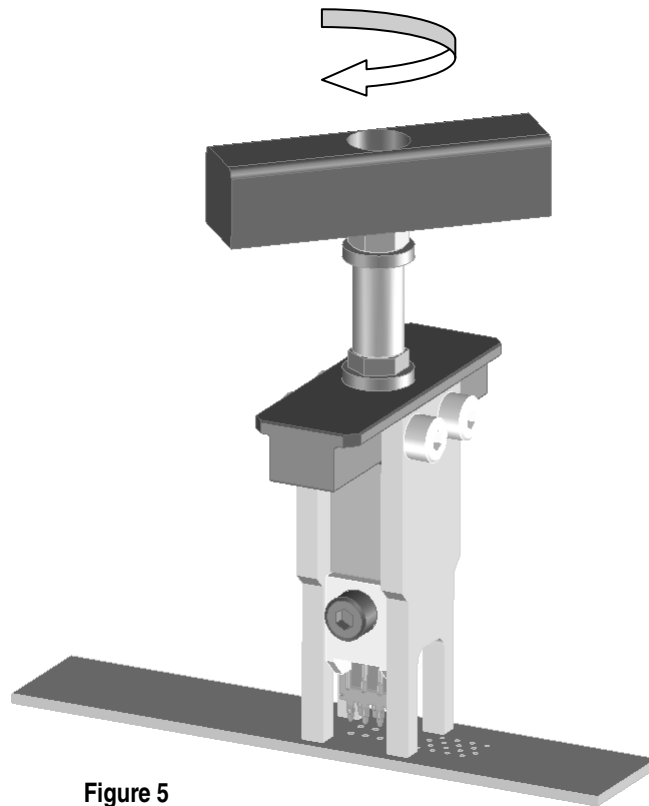


Figure 5

Maintenance

It is recommended that each operator of the tool be made aware of, and responsible for, the following maintenance steps:

1. Remove dust, moisture, and other contaminants with a clean brush, or soft, lint free cloth.
2. Do not use any abrasive materials that could damage the tool.
3. Make certain all pins; pivot points and bearing surfaces are protected with a thin coat of high quality machine oil. Do not oil excessively.
4. When tool is not in use, store in a clean, dry area.

CAUTION: Molex specifications are valid only when used with Molex terminals, applicators and tooling.

PARTS LIST

Item	Order No	Description	Quantity
	62100-6300	LPH Power Terminal Removal Tool	Figure 6
1	62100-6204	T Handle	1
2	62100-6301	Spacer Plate	1
3	62100-6303	Anvil Block	1
4	62100-6306	Terminal Clamp Plate	2
5	62100-6308	Side Plate Guide	2
6	63600-1959	Collar	1
7	63600-1960	Stop Screw	1
8	63700-4512	Retaining Washer	1
9	N/A	M5 Flat Washer	2**
10	N/A	M5 Jam Nut	2**
11	N/A	M4 by 6mm long SHCS	2**
12	N/A	M4 by 8mm long SHCS	2**

** Available from an industrial supply company such as MSC (1-800-645-7270).

Assembly Drawing

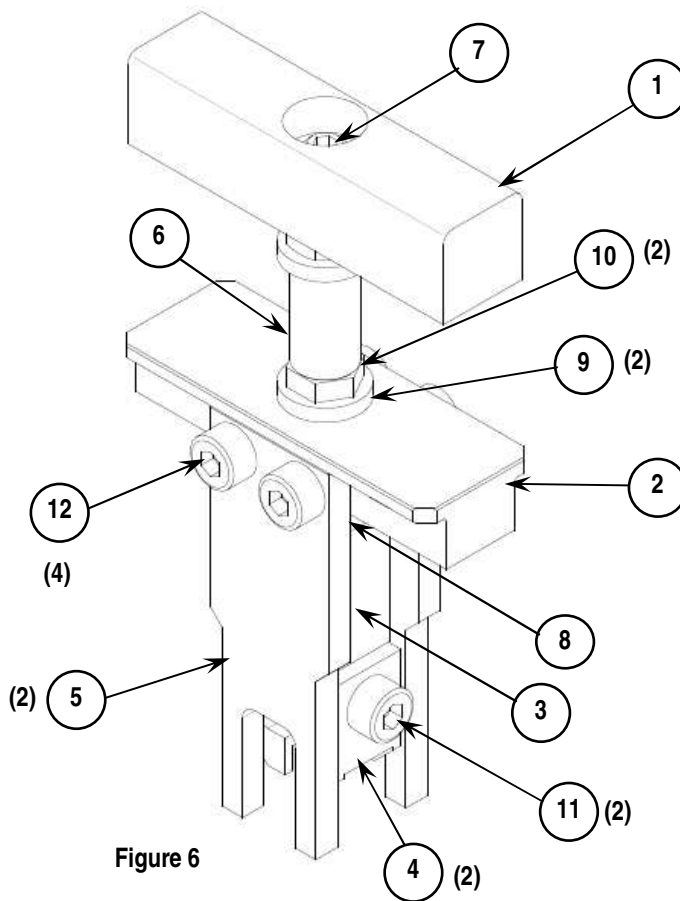


Figure 6

Americas Headquarters
 Lisle, Illinois 60532 U.S.A.
 1-800-78MOLEX
 amerinfo@molex.com

Far East North Headquarters
 Yamato, Kanagawa, Japan
 81-462-65-2324
 feninfo@molex.com

Far East South Headquarters
 Jurong, Singapore
 65-6-268-6868
 fesinfo@molex.com

European Headquarters
 Munich, Germany
 49-89-413092-0
 eurinfo@molex.com

Corporate Headquarters
 2222 Wellington Ct.
 Lisle, IL 60532 U.S.A.
 630-969-4550
 Fax: 630-969-1352

Visit our Web site at <http://www.molex.com>