

6

5

4

3

2

1

E

E

D

D

C

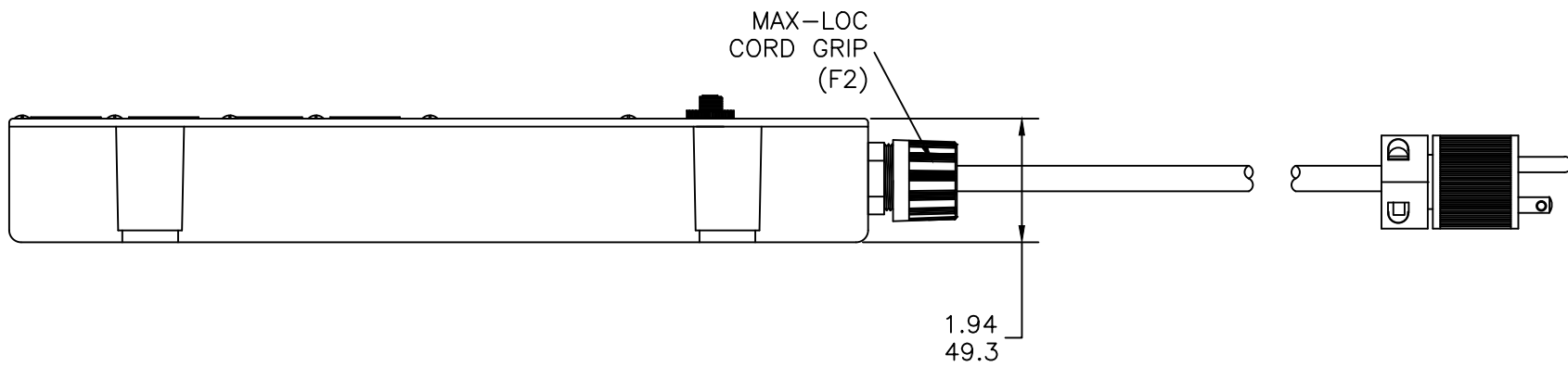
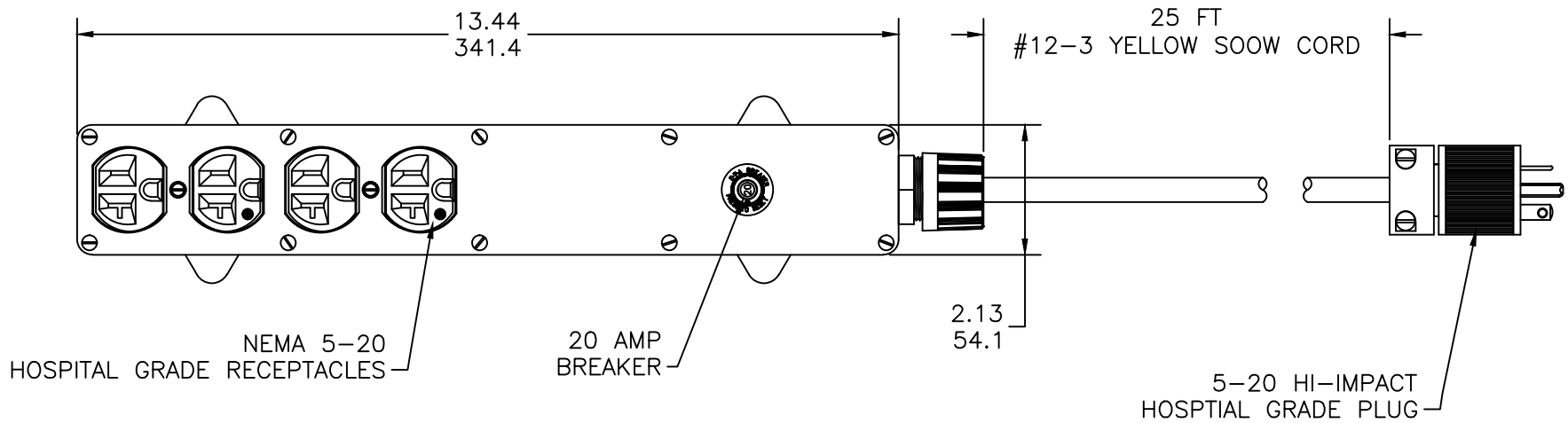
C

B

B

A

A



| | | | | | | | | | | |
|--|--|--------------------------------|--|--|---|--|--------------|--------------------------------------|---------------------------|----------------------------|
| CUSTOMER APPROVAL EC NO: WNA2012-0136 DRWN: HKNEELAN 2011/09/08 CHKD: HKNEELAN APPR: DTITUS 2011/09/14 | DESCRIPTION REV | QUALITY SYMBOLS ▽=0 ▽C=0 | GENERAL TOLERANCES (UNLESS SPECIFIED) | | DIMENSION STYLE IN/MM | | SCALE NTS | DESIGN UNITS INCH | THIRD ANGLE PROJECTION | |
| | | 4 PLACES ±--- ±--- | DRAWN BY HKNEELAN | DATE 2011/09/08 | TITLE MULTI-TAP STRIP, 20 AMP 25' #12-3 CABLE ALL HOSPITAL GRD RCPTS. | | | | | |
| | | 3 PLACES ±--- ±.005 | CHECKED BY HKNEELAN | DATE 2011/09/08 | | | | | | |
| | | 2 PLACES ±0.13 ±.010 | APPROVED BY DTITUS | DATE 2011/09/14 | MATERIAL NO. 1301360078 | | | DOCUMENT NO. SD-130136-005 | | SHEET NO. 1 OF 1 |
| 1 PLACE ±0.25 ±.020 | DRAFT WHERE APPLICABLE MUST REMAIN WITHIN DIMENSIONS | | | | | | | | | |
| ANGULAR ±1/2° | | SIZE A | | THIS DRAWING CONTAINS INFORMATION THAT IS PROPRIETARY TO MOLEX INCORPORATED AND SHOULD NOT BE USED WITHOUT WRITTEN PERMISSION | | | | | | |

6

5

4

3

2

1