



Features

- Fully Compliant with USB 1.1/2.0 (High Speed)
- No External Power Supply required
- RS-485 Active Star Wiring Applications
- Baud Rate, 300 ~ 115200 bps
- 3000 V_{DC} Isolation Protection on the RS-485 side
- ESD Protection for the RS-485 Data Line
- Operating Temperatures, -25 °C ~ +75 °C
- Driver Supports Windows 98/ME/2000/XP/Vista (32/64-bit)/7 (32/64-bit)/Linux
- DIN-Rail

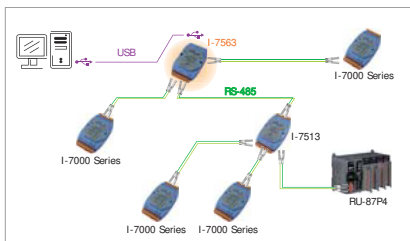


Introduction

The I-7563 is a cost-effective module for transferring serial data via USB. It allows you to connect your serial devices to systems that use a USB interface. Connecting the I-7563 to a PC. The I-7563 contains "Self-Tuner" This chip auto-tunes the Baud Rate and data format to the RS-485 network. The I-7563 module derives its power from the USB port and doesn't need any power adapter. It also features a high-speed 115.2 kbps transmission rate, and supports various O.S.

Do you have any RS-485 wiring problems I-7563 is a USB to 1-channel RS-485 converter with a 3-way RS-485 Hub. Each channel contains its own RS-485 driver IC, so it can support star-shaped wiring.

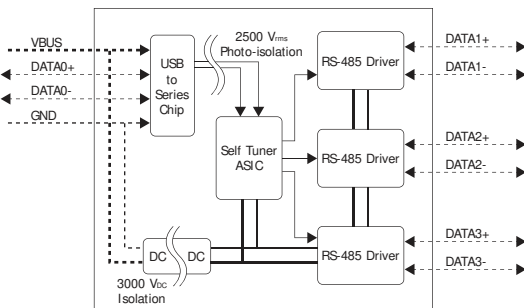
Applications



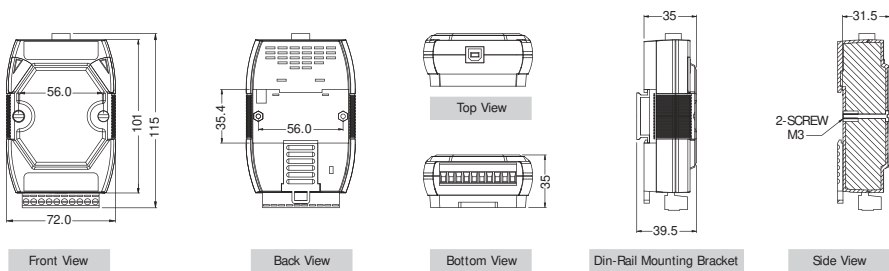
Specifications

Interface		
USB	Compatibility: USB 1.1 and 2.0 standards	
RS-485	3 Channels: For active star wiring applications	
	Data1+, Data1-	
	Data2+, Data2- Data3+, Data3-	
2-wire cabling	Belden 8941 (2P twisted-pair cable), if different cables are used, the transmission distance may change	
RS-485 Transfer Distance	Max. 1,200 m at 9.6 kbps; Max. 400 m at 115.2 kbps	
Maximum Supported RS-485 Devices	Max. of 256 devices	
Self-Tuner Asic Inside for RS-485	Yes	
Speed	300 ~ 115200 bps	
Connection	RS-485	Removable 10-Pin Terminal Block
	USB	Type B
Cable Included	CA-USB18 (1.8 m Cable) x 1	
LED Indicators		
Power	Yes	
Power		
Input Voltage Range	+5 V _{DC} from USB	
Power Consumption	0.5 W	
Mechanical		
Casing	Plastic	
Flammability	Fire Retardant Materials (UL94-V0 Level)	
Dimensions (W x H x D)	72 mm x 115 mm x 35 mm	
Installation	DIN-Rail	
Environment		
Operating Temperature	-25 °C ~ +75 °C	
Storage Temperature	-30 °C ~ +75 °C	
Humidity	10 ~ 90% RH, non-condensing	

Internal I/O Structure



Dimensions (Unit: mm)



Pin Assignments



Terminal No.	Pin Assignment
RS-485	01 DATA3+
	02 DATA3-
	03 --
	04 --
RS-485	05 DATA2-
	06 DATA2+
	07 --
	08 --
RS-485	09 DATA1-
	10 DATA1+

Ordering Information

I-7563 CR	USB to Isolated RS-485 Active Star Wiring Converter (RoHS)
I-7563-G CR	USB to Isolated RS-485 Active Star Wiring Converter (Gray Cover) (RoHS)
Include Cable	CA-USB18 (1.8 m Cable) x 1

Accessories

USB-2560 CR	Industrial 4-port USB 2.0 Hub
CA-USB18	USB Type A to Type B Cable