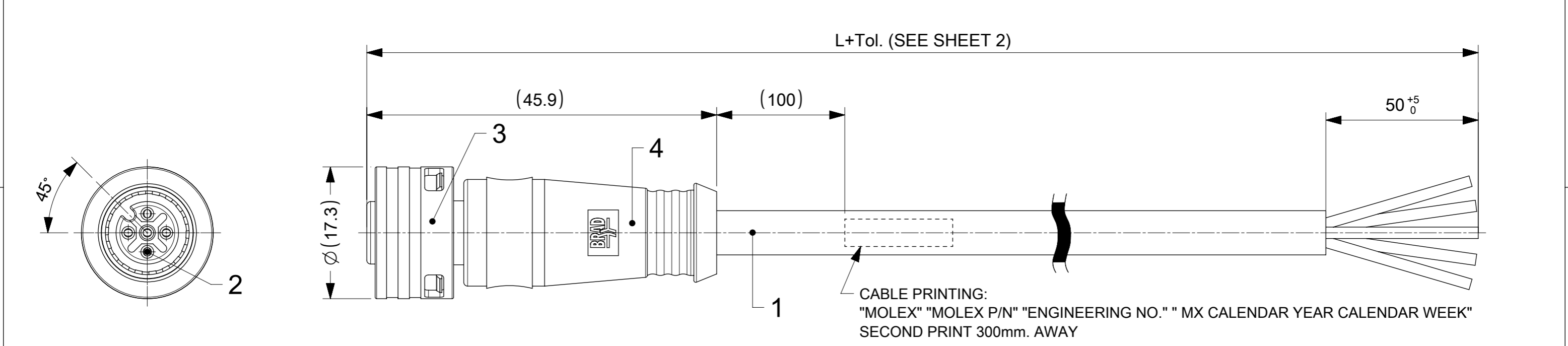
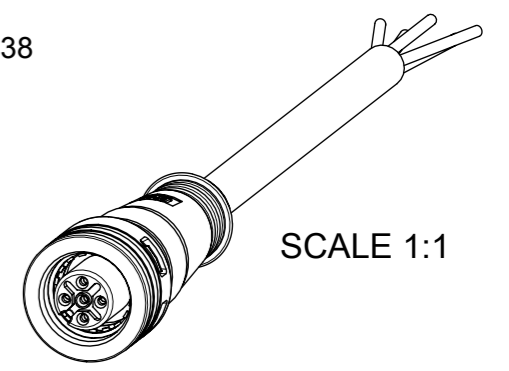


CODING ACCORDING TO IEC 61076-2-101



- NOTES:
- PARTS ACC. TO PRODUCT SPECIFICATION 1204000001 PS P10 AND IN STYLE OF IEC-61076-2-010
  - BOM & PART LIST - SEE SHEET 2
  - RATED VOLTAGE :  
3, 4 CONTACTS: 250V AC OR DC  
5 CONTACTS: 60V AC OR DC  
RATED CURRENT:  
3, 4, 5 CONTACTS: 4A, DERATING HAS TO BE CONSIDERED  
OVERVOLTAGE CATEGORY: 3  
POLLUTION DEGREE: 3, ONLY IN MATED AND LOCKED CONDITION
  - PROTECTION CLASS: IP 67, ONLY IN MATED AND LOCKED CONDITION
  - TEMPERATURE RANGE:  
TEMPERATURE PLUG/SOCKET: -40 °C TO +85 °C  
TEMPERATURE CABLE: SEE CABLE LIST
  - MECHANICAL OPERATIONS: 100 CYCLES
  - MATES WITH ULTRA-LOCK M12 MALE RECEPTACLES
  - PACKAGING: THE CORDSETS ARE SINGLE PACKED IN PLASTIC BAGS AND DELIVERED IN CARTON BOXES
  - UL CSA FILE REGISTRATION PENDING

FOR EXAMPLE: MOLEX 1204000001 Y03000E03M010 MX2038



DOCUMENT STATUS	P1	RELEASE DATE	2023/01/31	08:21:28
-----------------	----	--------------	------------	----------

FUNCTIONAL SYMBOLS	THIS DRAWING CONTAINS INFORMATION THAT IS PROPRIETARY TO MOLEX ELECTRONIC TECHNOLOGIES, LLC AND SHOULD NOT BE USED WITHOUT WRITTEN PERMISSION	CURRENT REV DESC: NOTES AND CABLE LIST UPDATED		<b>molex</b>																																			
	<table border="1"> <tr> <th>FUNCTIONAL SYMBOLS</th> <th>DIMENSION UNITS</th> <th>SCALE</th> </tr> <tr> <td>∇/A = 0</td> <td>mm</td> <td>2:1</td> </tr> <tr> <td>∇/E = 0</td> <td colspan="2">GENERAL TOLERANCES (UNLESS SPECIFIED)</td> </tr> <tr> <td>∇/V = 0</td> <td colspan="2">ANGULAR TOL ± 1.0 °</td> </tr> <tr> <td></td> <td>4 PLACES</td> <td>±</td> </tr> <tr> <td></td> <td>3 PLACES</td> <td>±</td> </tr> <tr> <td></td> <td>2 PLACES</td> <td>± 0.05</td> </tr> <tr> <td></td> <td>1 PLACE</td> <td>± 0.3</td> </tr> <tr> <td></td> <td>0 PLACES</td> <td>± 0.5</td> </tr> </table>	FUNCTIONAL SYMBOLS	DIMENSION UNITS			SCALE	∇/A = 0	mm	2:1	∇/E = 0	GENERAL TOLERANCES (UNLESS SPECIFIED)		∇/V = 0	ANGULAR TOL ± 1.0 °			4 PLACES	±		3 PLACES	±		2 PLACES	± 0.05		1 PLACE	± 0.3		0 PLACES	± 0.5	<table border="1"> <tr> <td>EC NO: 736602</td> <td>2023/01/23</td> </tr> <tr> <td>DRWN: RSCHIEBER</td> <td>2023/01/31</td> </tr> <tr> <td>CHK'D: RSILLER</td> <td>2023/01/31</td> </tr> <tr> <td>APPR: RSILLER</td> <td>2023/01/31</td> </tr> </table>		EC NO: 736602	2023/01/23	DRWN: RSCHIEBER	2023/01/31	CHK'D: RSILLER	2023/01/31	APPR: RSILLER
FUNCTIONAL SYMBOLS	DIMENSION UNITS	SCALE																																					
∇/A = 0	mm	2:1																																					
∇/E = 0	GENERAL TOLERANCES (UNLESS SPECIFIED)																																						
∇/V = 0	ANGULAR TOL ± 1.0 °																																						
	4 PLACES	±																																					
	3 PLACES	±																																					
	2 PLACES	± 0.05																																					
	1 PLACE	± 0.3																																					
	0 PLACES	± 0.5																																					
EC NO: 736602	2023/01/23																																						
DRWN: RSCHIEBER	2023/01/31																																						
CHK'D: RSILLER	2023/01/31																																						
APPR: RSILLER	2023/01/31																																						
DIVISIONAL SYMBOLS	<table border="1"> <tr> <td>INITIAL REVISION:</td> <td></td> </tr> <tr> <td>DRWN: RSCHIEBER</td> <td>2020/09/15</td> </tr> <tr> <td>APPR: RSILLER</td> <td>2020/09/29</td> </tr> </table>		INITIAL REVISION:		DRWN: RSCHIEBER	2020/09/15	APPR: RSILLER	2020/09/29	PRODUCT CUSTOMER DRAWING																														
INITIAL REVISION:																																							
DRWN: RSCHIEBER	2020/09/15																																						
APPR: RSILLER	2020/09/29																																						
DRAFT WHERE APPLICABLE MUST REMAIN WITHIN DIMENSIONS		THIRD ANGLE PROJECTION	DRAWING	SERIES	DOCUMENT NUMBER																																		
			A3-SIZE	120400	1204000025																																		
					DOC TYPE DOC PART REVISION																																		
					PSD 000 A3																																		
					MATERIAL NUMBER CUSTOMER SHEET NUMBER																																		
					SEE SHEET 2 GENERAL MARKET 1 OF 2																																		

PART LIST

Table with 3 columns: MOLEX NO., ENGINEERING NO., LENGHT (MM). Rows 1-23.

Table with 3 columns: MOLEX NO., ENGINEERING NO., LENGHT (MM). Rows 1-36.

Table with 3 columns: MOLEX NO., ENGINEERING NO., LENGHT (MM). Rows 1-36.

CABLE LIST

Table with columns: 3P, 4P, 5P, CABLE TYPE, DESCRIPTION, MATERIAL, FINISH/COLOR, FIXED INSTALLATION \* (MIN., MAX.), FLEXIBLE INSTALLATION \*\* (MIN., MAX.), DRAG CHAIN (MIN., MAX.).

CABLE LENGTH TOLERANCES table with columns: LENGTH, TOLERANCE. Rows: 0m-1m (+40 mm), >1m-5m (+60 mm), >5m-10m (+80 mm), >10m-20m (+140 mm), >20m-30m (+160 mm), >30m (+1% length).

\* FIXED POSITION WITHOUT ACCIDENTAL CRUSHING OF VIBRATION.
\*\* FREE MOTION WITHOUT PERIODIC RECURRENCE OR FORCED GUIDANCE.

BILL OF MATERIAL:

Table with columns: 3P, 4P, 5P, ITEM, QTY, DESCRIPTION, MATERIAL, FINISH/COLOR. Rows 1-5.

Technical drawing header containing: FUNCTIONAL SYMBOLS, DIMENSION UNITS (mm), SCALE (1:1), CURRENT REV DESC, molex logo, EC NO: 736602, DRWN: RSCHIEBER, APPR: RSILLER, PRODUCT CUSTOMER DRAWING, DOCUMENT NUMBER 1204000025, SHEET NUMBER 2 OF 2.