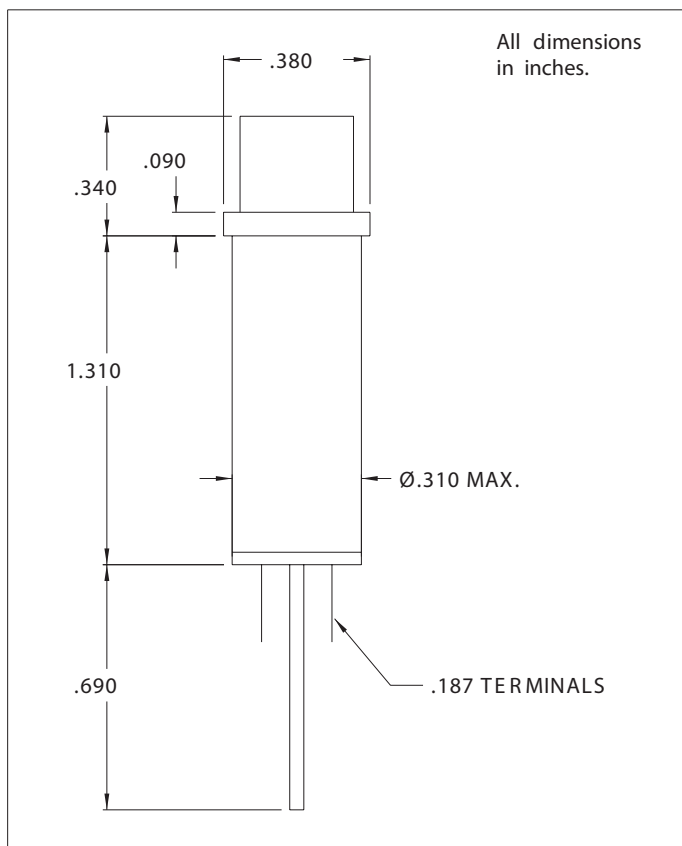
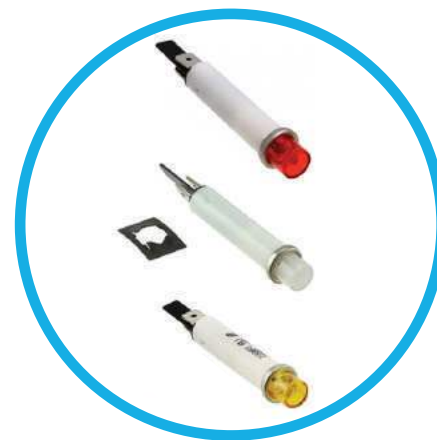
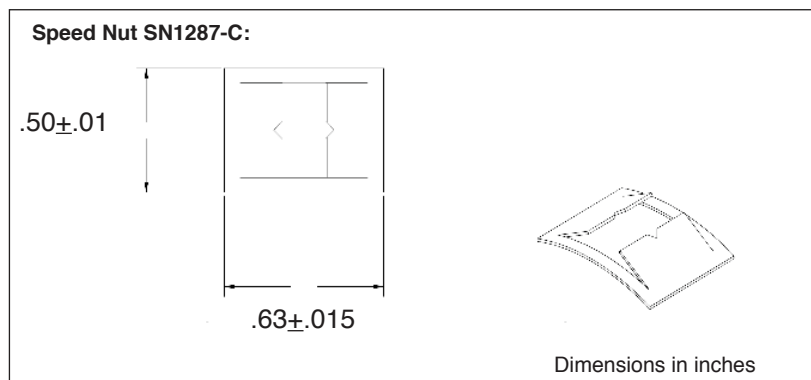




## 2150QA and 2151QA Series Non-Relampable Neon Indicator Lights



Lens: Polycarbonate  
 Bezel: Stainless Steel  
 Housing: White Nylon  
 Mounting: Ø.310" MIN., supplied with push-on speednut SN1287-C  
 Terminals: Quick-connect, tinned brass, .187" x .020"



Lens Color	Neon	
	Model No. (105-125VAC)	Model No. (208-250VAC)
Red	2150QA1	2151QA1
Amber	2150QA3	2151QA3
White	2150QA4	-
Green	2152QA5*	2153QA5*
Lamp	C2A+Resistor	C2A+Resistor

\* Incorporates G2B lamp and resistor.  
 Underwriters Laboratories (UL) File No. E20356

### Compliance & Approvals

