

6

5

4

3

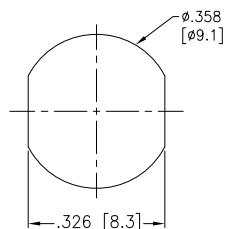
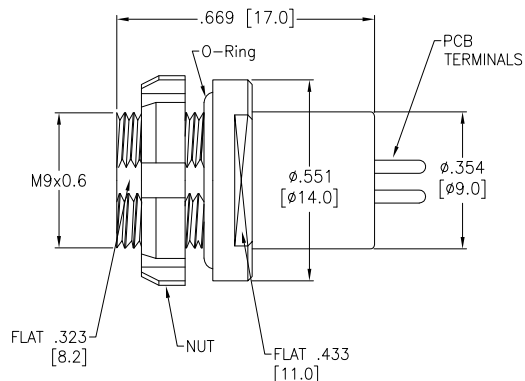
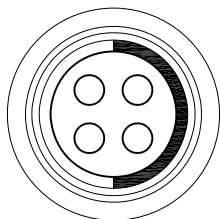
2

1

APPROVED: \_\_\_\_\_

DATE: \_\_\_\_\_ TITLE: \_\_\_\_\_

Rev	AWO #	Description	Date	Appr
-		RELEASED	8/16/21	



Panel Cut-Out  
(Rear Panel Mounting)

MMI-MORSXXXP-IP68

SIZE 0

CODING

1 = CODE 1

2 = CODE 2

3 = CODE 3

# OF POSITIONS

02, 03, 04, 05, & 07

CODING OPTIONS

CODE 1	CODE 2	CODE 3

	2 Pin	3 Pin	4 Pin	5 Pin	7 Pin
Configuration					
Diameter of Pin	ø0.9	ø0.9	ø0.7	ø0.7	ø0.5
Testing Voltage	1200V	1200V	1000V	1000V	800V
Working Voltage	250V	250V	200V	200V	200V
Rated Current / Pin	8A	7A	5A	5A	2A

SPECIFICATIONS:

Material:  
 Body: Brass, Natural Chrome Plated  
 Insulator: PPS, color Beige  
 Terminal: Brass, Gold Plated  
 Electrical:  
 Voltage Rating: See chart  
 Current Rating: See chart  
 Dielectric withstanding voltage: See chart  
 Electrical Life: 1,000 Cycles min.  
 Mechanical:  
 Endurance: 5,000 Cycles Min.  
 Temperature Rating:  
 Operating temperature: -55°C to +150°C  
 Environmental:  
 IP68 Protection (Mated Condition)  
 Lead free, RoHS compliant



UNLESS OTHERWISE SPECIFIED  
 ALL DIMENSIONS ARE INCHES [MM]  
 TOLERANCES: EXCEPT AS NOTED  
 INCHES HOLES  
 .X ± .10 ø.X ± .10  
 .XX ± .020 ø.XX ± .015  
 .XXX ± .015 ø.XXX ± .010

APPROVALS		DATE
DRAWN	SS	8/16/21
CHECKED	SS	8/16/21
APPROVED		



909 Rahway Avenue,  
 Union, NJ 07083  
 Phone: 908-687-5000  
 Fax: 908-687-5710

TITLE  
 PUSH-PULL SOCKET, VERTICAL, SIZE 0, METAL BODY,  
 REAR PANEL MOUNT, PCB TERMINALS, IP68

SIZE X	PART NO. MMI-MORSXXXP-IP68	REV. -
REF: SXXXXX	SCALE: NTS	SHEET 1 OF 2

6

5

4

3

2

1

6

5

4

3

2

1

APPROVED: \_\_\_\_\_

DATE: \_\_\_\_\_ TITLE: \_\_\_\_\_

Rev	AWO #	Description	Date	Appr
-		RELEASED	8/16/21	

D

D

C

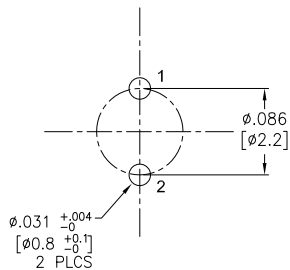
C

B

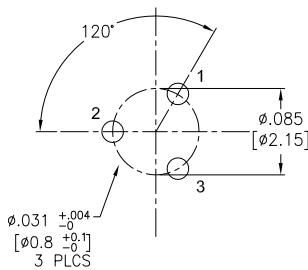
B

A

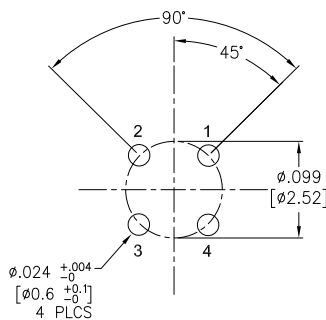
A



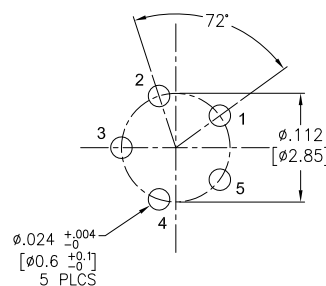
2 PIN



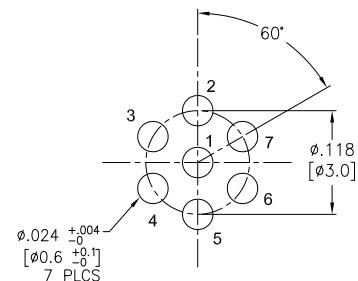
3 PIN



4 PIN



5 PIN



7 PIN

UNLESS OTHERWISE SPECIFIED  
 ALL DIMENSIONS ARE INCHES [MM]  
 TOLERANCES: EXCEPT AS NOTED  
 INCHES HOLES

.X	± .10	Ø.X	± .10
.XX	± .020	Ø.XX	± .015
.XXX	± .015	Ø.XXX	± .010



909 Rahway Avenue,  
 Union, NJ 07083  
 Phone: 908-687-5000  
 Fax: 908-687-5710

TITLE  
 PUSH-PULL SOCKET, VERTICAL, SIZE 0, METAL BODY,  
 REAR PANEL MOUNT, PCB TERMINALS, IP68

APPROVALS		DATE
DRAWN	SS	8/16/21
CHECKED	SS	8/16/21
APPROVED		

SIZE X	PART NO. MMI-MORSXXXP-IP68	REV. -
REF: SXXXXXX	SCALE: NTS	SHEET 2 OF 2

6

5

4

3

2

1