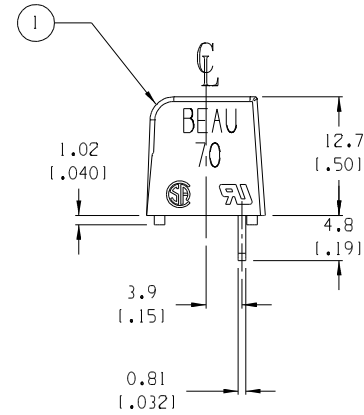
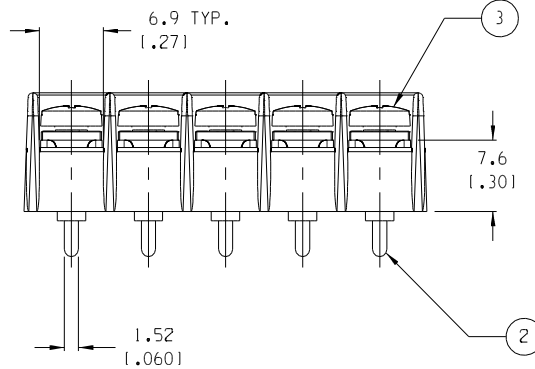


PTH PATTERN



NOTES:

1. MATERIAL: SEE TABLE
2. FINISHES: SEE TABLE
3. PRODUCT SPECIFICATION: NOT REQUIRED
4. PACKAGING: NOT REQUIRED
5. MATES WITH: NONE

| ITEM | QTY. | DESCRIPTION | MATERIAL | FINISH |
|------|------|---|----------|--------------------|
| 3 | 5 | SCREW, #6-32X.250, PHIL-SLOT W/SO. WASHER | STEEL | ZN, CLEAR CHROMATE |
| 2 | 5 | TERMINAL, PC, LONG | BRASS | TIN PLATE |
| 1 | 1 | INSULATOR, SR, CS, PADS | PBT | BLACK |

| | | | | | | | | | | | |
|---|--|--|--|--|--|--|---|--------------------------|----------------------------|-------------------|--|
| EC NO. RELEASED DRAWN: CLY CH'K: APPR: A | DESCRIPTION MAJOR CRITICAL SPC S | GENERAL TOLERANCES: (UNLESS SPECIFIED) | | SCALE: 2:1 | DESIGN UNITS: <input type="checkbox"/> mm <input checked="" type="checkbox"/> INCH | THIRD ANGLE PROJECTION | PROJECT NO.: | SHT: | REV: | | |
| | | | | DRAWN BY & DATE: C. YORK 06-22-05 | CHECKED BY & DATE: | | TITLE: 8.26mm (.325") SR, CS BTS ASSY, PC, PADS, -50 SCREW, 5/C | | | | |
| | | | | APPROVED BY & DATE: | | CAD FILENAME: 70R505-C-P-19-50 | | MATERIAL NO.: 38709-0231 | DRAWING NO.: SD-38709-0231 | SHEET NO.: 1 OF 1 | |
| | | | | DRAFT WHERE APPLICABLE MUST REMAIN WITHIN DIMENSIONS | | THIS DRAWING CONTAINS INFORMATION THAT IS PROPRIETARY TO MOLEX INCORPORATED AND SHOULD NOT BE USED WITHOUT WRITTEN PERMISSION. | | | | | |