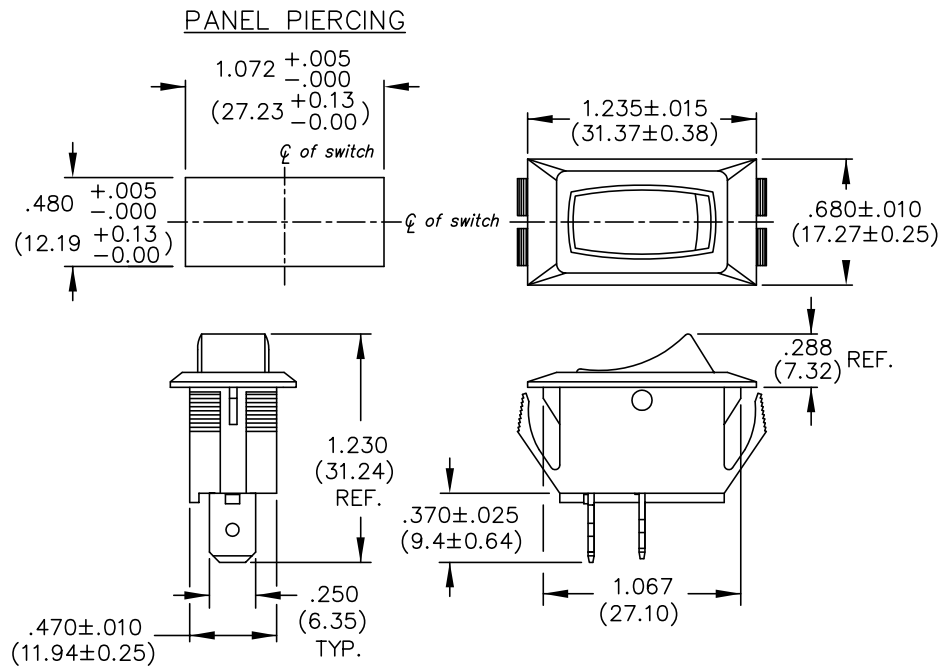


THIS INFORMATION IS CONFIDENTIAL AND PROPRIETARY TO CW INDUSTRIES INCORPORATED AND ITS AFFILIATES. IT MAY NOT BE DISCLOSED TO ANYONE OTHER THAN CW INDUSTRIES PERSONNEL, WITHOUT WRITTEN AUTHORIZATION FROM CW INDUSTRIES INCORPORATED, SOUTHAMPTON, PENNSYLVANIA USA.

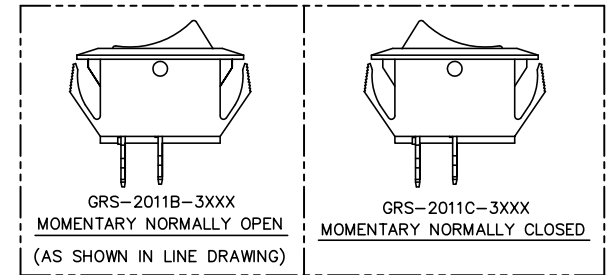
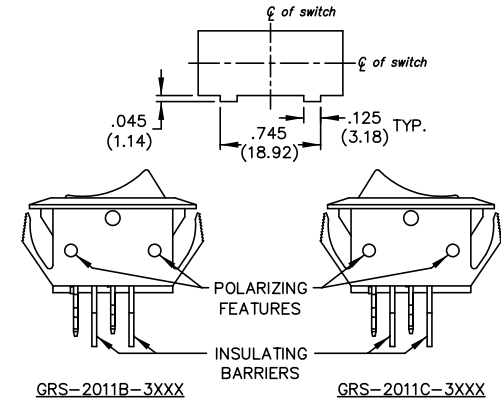
DIMENSIONS IN INCHES (MILLIMETERS)
DO NOT SCALE DRAWING

Dwg. No.
GRS-2011B-3XXX/2011C-3XXX

PANEL THICKNESS
.025" to .180"
(0.64mm to 4.57mm)



OPTIONS: POLARIZED PANEL PIERCING



TERMINAL OPTIONS:

.250" Wide Terminal is standard as Shown in drawing.
.187" Wide Terminal is optional.

1 2 3 4 5 6 7 8 9 10

B-FORMAT 2002
REVISIONS

CW INDUSTRIES
Southampton, Pa. 18966

TOLERANCES UNLESS OTHERWISE SPECIFIED
 2 Place Decimal $\pm .010$ METRIC
 3 Place Decimal $\pm .005$ 1 Place Dec. $\pm .25$ mm
 Angles $\pm 1^\circ$ 2 Place Dec. $\pm .13$ mm

Title: ASSEMBLY DRAWING
S.P.S.T. ROCKER SWITCH
MOMENTARY FUNCTION
B & C SERIES
1.072" x .480" PANEL

Made for: CW IND.
 Drawn by: DGW 7-06-2010
 Checked by:
 Approval:

Division: SWITCH
 Dwg. No.
 GRS-2011B-3XXX/2011C-3XXX