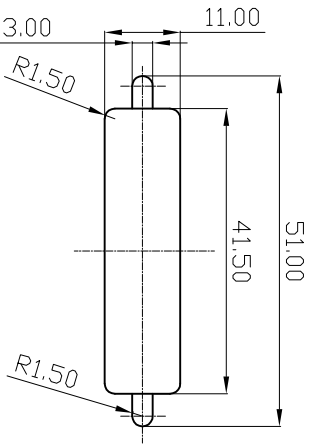
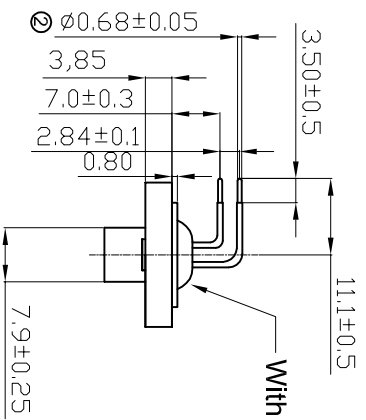


X(MAX.)

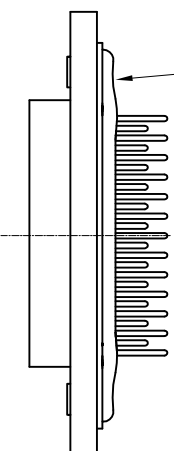
Panel Thickness  
Screw L=5.0 For Panel Thickness  
Under 1.2mm  
Screw L=6.0 For Panel Thickness  
Between 1.2-2.0mm



Recommended Panel Cut-Out



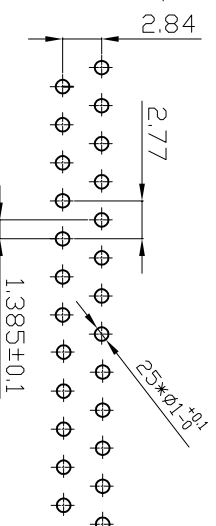
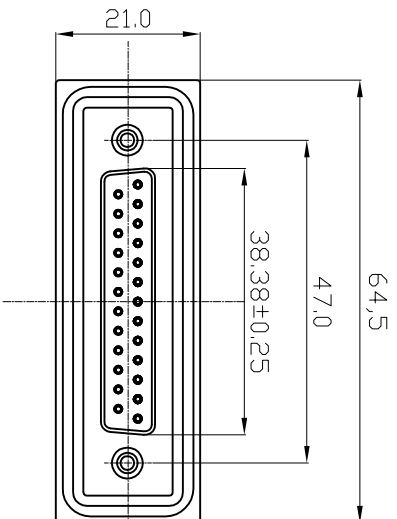
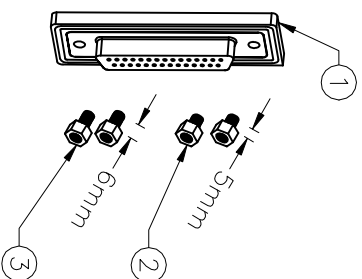
With Liquia Glue



NOTES:

MATERIAL

1. Insulator Material: Black, NYLON+G/F
2. Contact Material : Copper Alloy
3. Plating : Gold Plating
4. Waterproof Rate: IP67
5. Do Mating Test After Glued



25 Pin Female Connector PCB Pin Layout  
Scale 2:1

**RoHS compliant**  
Unit: mm

Scale	Free
TOLERANCE	
X.X	±0.25
X.XX	±0.10
X.XXX	±0.05
DIM	TOL
ANGLE	±1°
X.X°	±X°
Angle	TOL

Id.	Modification	Date	Name
①	Drawn	24.12.2008	JACK
②	Cancel LOGO and change dimension	25.01.2018	Tom

Date	Name
Drawn 24.12.2008	JACK
Approved 25.01.2018	Any

**ASSMANN**  
components

Customer-No.	ASSMANN WSW-No.	Drawing-No.	Replace
	A-DF 25 AA-WP	ASS 3264 CO	rev02
			Sheet

1

2

3

4

5

6

7

1

2

3

4

5

6

7

A

B

C

D

E

F

G

H