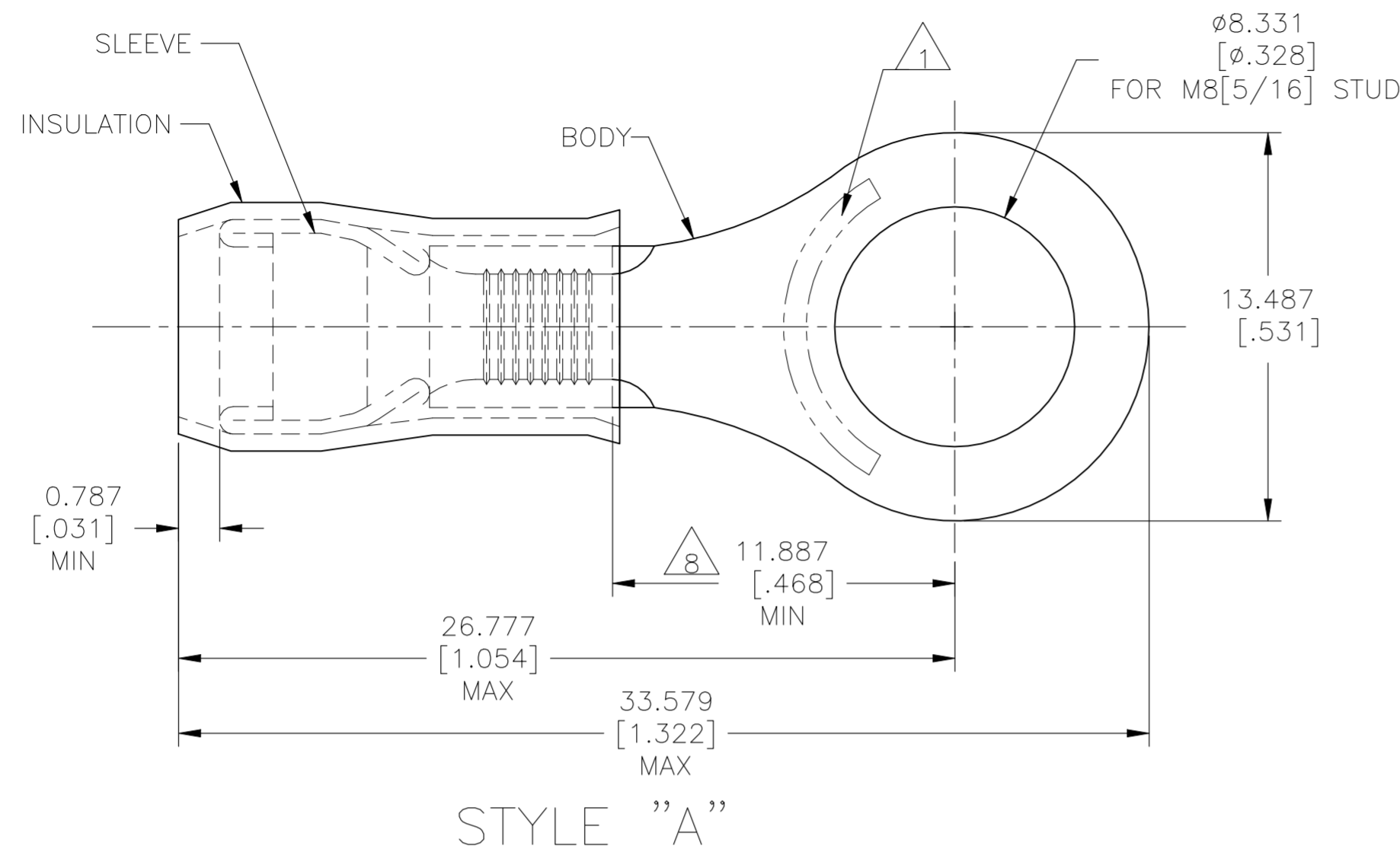
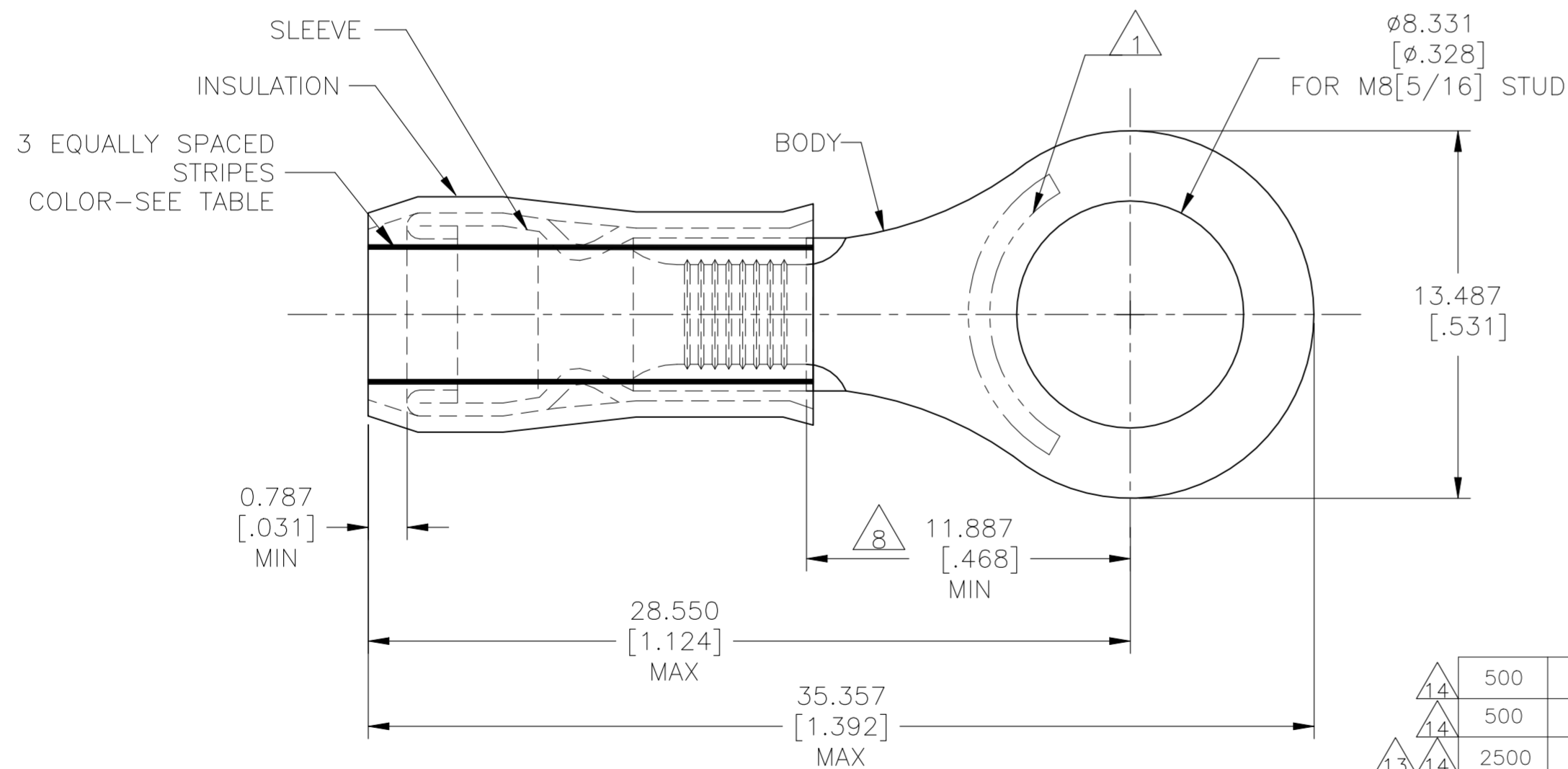


| REVISIONS | | | | | |
|-----------|-----|---------------------------|-----------|-----|------|
| P | LTR | DESCRIPTION | DATE | DWN | APVD |
| U4 | | REVISED PER ECN-22-156403 | 06JUN2022 | RK | CSD |



| | | |
|--|-----------------------|--|
| AMP WIRE RANGE | Listed FILE E13288 | LR7189 Certified |
| 12-10 AWG SOLID OR STRANDED IR: STRANDED | 12-10 AWG STRANDED | 12-10 AWG SOLID OR STRANDED IR: STRANDED |

- STAMP "AMP - SEE TABLE" APPROX AS SHOWN.
- 2 WIRE INSULATION DIA: SEE TABLE.
- 3 BODY MATERIAL THK: 1.016±0.051[.040±.002]
- FINISH:
BODY: TIN PLATE 0.00254[.000100] MIN EXT THK PER ASTM B545.
INSULATION: COLOR-YELLOW.
- FINISH:
SLEEVE: TIN PLATE 0.00254[.000100] MIN EXT THK PER ASTM B545.
INSULATION: COLOR-YELLOW.
- FINISH:
SLEEVE: NICKEL PLATE PER SAE AMS QQ-N-290.
INSULATION: COLOR-YELLOW.
- MATERIAL:
BODY & SLEEVE- CU PER ASTM B152
INSULATION - NYLON PER ASTM D4066
- APPLIES FROM EDGE OF METAL WIRE BARREL
TO CENTER OF STUD HOLE.
- MEETS MS25036-113, CLASS 1.
- 10 NOTE DELETED
- MEETS M7928/1-60, CLASS 1.
- MEETS M7928/1-67, CLASS 1.
- UL LISTED
- CSA CERTIFIED



STYLE "B"
INSULATION RESTRICTING

| QTY | PACKAGE TYPE | STAMPING | WIRE INSUL DIA | WIRE SIZE | STRIPE COLOR | STYLE | BODY FINISH | SLEEVE FINISH | PART NO |
|------|----------------|----------|--------------------------|-----------|--------------|-------|-------------|---------------|------------|
| 500 | LOOSE PIECE | 10* | ø3.027-5.100[ø.119-.200] | 10 | BROWN | "B" | | | 2-320576-3 |
| 500 | LOOSE PIECE | 12* | ø2.413-5.100[ø.095-.200] | 12 | YELLOW | "B" | | | 2-320576-2 |
| 2500 | ON TAPE & REEL | 12-10* | ø3.810-5.842[ø.150-.230] | 12-10 | -- | "A" | | | 2-320576-1 |
| 500 | LOOSE PIECE | 12-10* | ø3.810-5.842[ø.150-.230] | 12-10 | -- | "A" | | | 320576 |

| | | | | | | | | | |
|--|--|---|--|---|--|----------------------------------|--|---|--|
| CUSTOMER SERVICE SYSTEMS | | MAX RECOMMENDED OPERATING TEMPERATURE: 105°C[221°F] MAX | | THIS DRAWING IS A CONTROLLED DOCUMENT. | | DWN JR RUTH 23DEC09 | | TE Connectivity | |
| FOR ADDITIONAL PRODUCT INFORMATION OR COPIES OF DRAWINGS AND TECHNICAL DOCUMENTS 1-800-522-6752 | | PRODUCT INFORMATION CENTER | | DIMENSIONS: mm [INCHES] | | CHK T MICHIELUTTI 23DEC09 | | NAME TERMINAL, RING TONGUE, PIDG (12-10 AWG) PIDG IR (12 & 10 AWG) | |
| FOR APPLICATION TOOLING INFORMATION 1-800-722-1111 | | TOOLING ASSISTANCE CENTER | | TOLERANCES UNLESS OTHERWISE SPECIFIED: 0 PLC ± - 1 PLC ± - 2 PLC ± - 3 PLC ± 0.127[.005] 4 PLC ± - ANGLES ± - | | APVD T MICHIELUTTI 23DEC09 | | DRAWING NO 114-2157 | |
| FOR ORDER ENTRY 1-800-526-5142 | | CIRCULAR MIL AREA: 2.62-6.64mm²[5.180-13.100] STRANDED OR SOLID | | MATERIAL | | FINISH | | CAGE CODE 00779 | |
| | | | | | | UL486 A-B | | SCALE 5:1 | |
| | | | | | | WEIGHT - | | SHEET 1 of 1 | |
| | | | | | | CUSTOMER DRAWING | | REV U4 | |