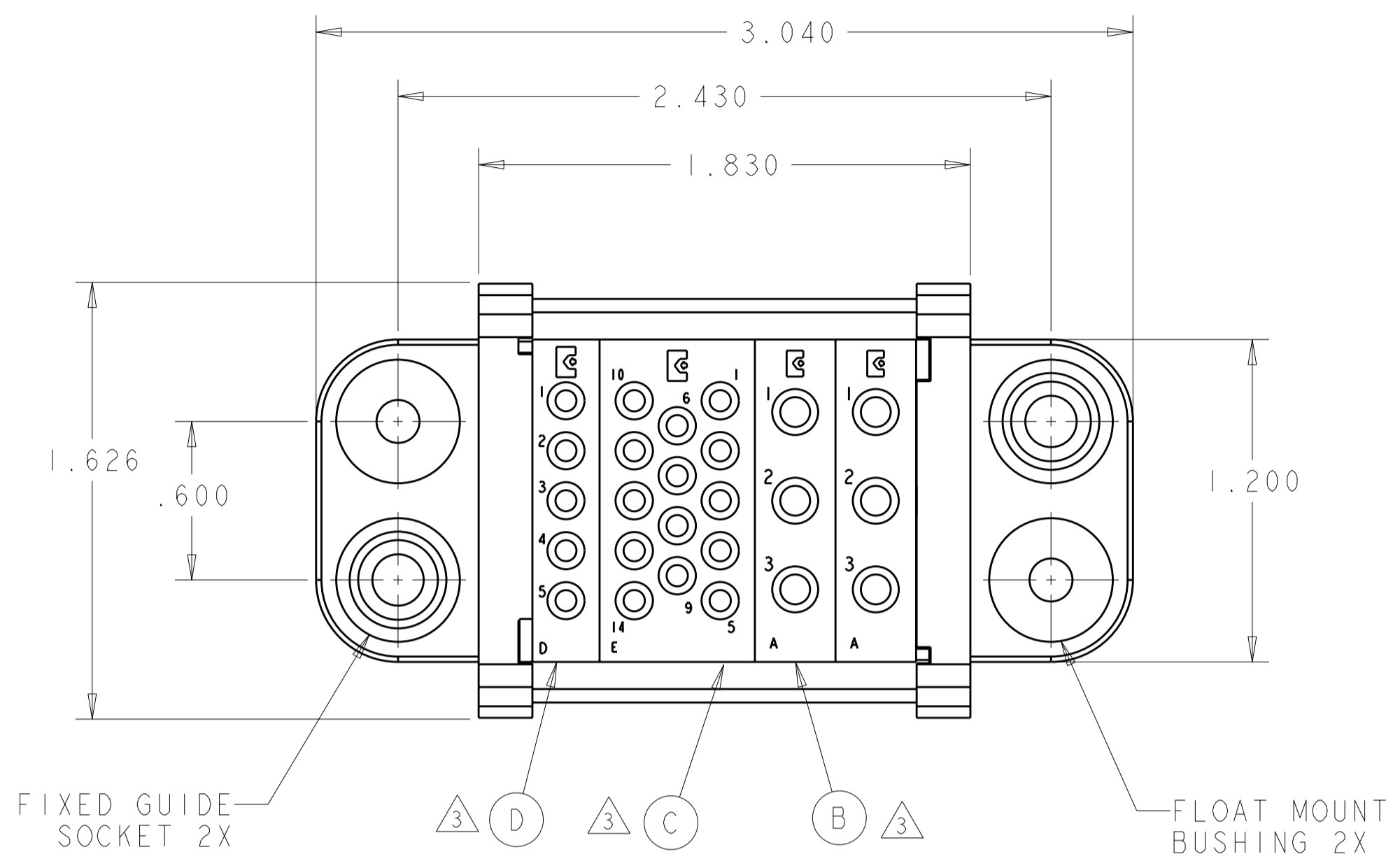


THIS DRAWING IS UNPUBLISHED. RELEASED FOR PUBLICATION 20
 © COPYRIGHT 20 BY TYCO ELECTRONICS CORPORATION. ALL RIGHTS RESERVED.

LOC	DIST	REVISIONS					
GP	00	P	LTR	DESCRIPTION	DATE	DWN	APVD
			C	REV PER ECO-10-014985	22JUL2010	RG	DO



1. PART NUMBER CHANGES AND/OR DESIGN CHANGES AFFECTING ITEM INTERCHANGEABILITY REQUIRE PRIOR TYCO ELECTRONICS APPROVAL AND AUTHORIZATION BY REVISION TO THIS DRAWING.

2. ITEMS PROVIDED TO THIS SPECIFICATION TO BE PERMANENTLY IDENTIFIED PER THE FOLLOWING IDENTIFIER:

YEAR 1 WEEK 1

TYCO ELECTRONICS P/N DATE CODE (e.g. 0212)

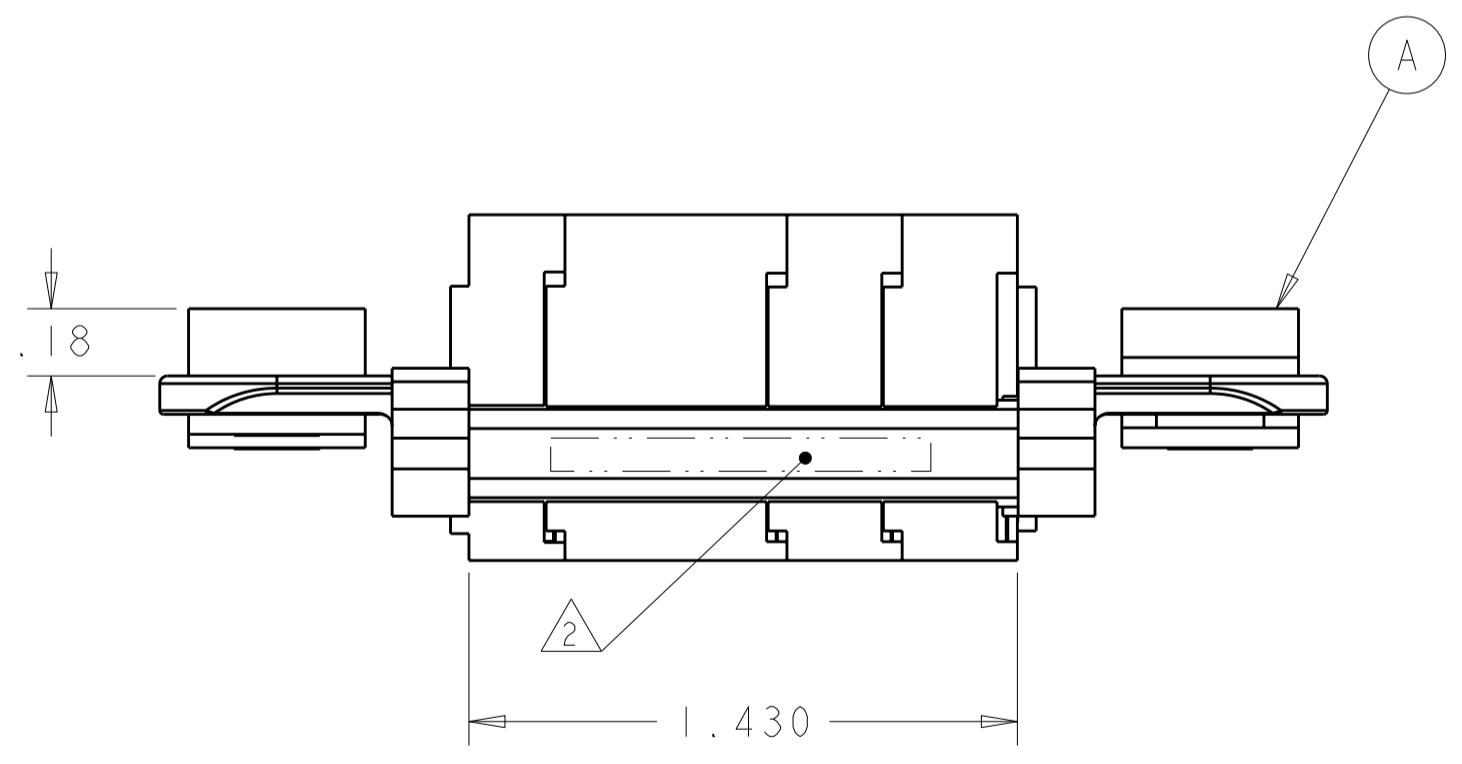
XXXXXXXX-X XXXX

3. MODULES NOTED ARE FOR CRIMP REMOVABLE STYLE CONTACTS. ITEMS E AND F WILL BE PACKAGED AND SHIPPED LOOSE WITH THE CONNECTOR ASSEMBLY.

4. MOUNTING FLANGE BUSHING ACCEPTS 6/32 SCREW (.156 DIA. CLEARANCE HOLE, FLOAT MOUNT) OR 8/32 SCREW (.173 DIA. CLEARANCE HOLE, FIXED MOUNT), USER SUPPLIED.

5. CONNECTOR MATES WITH P/N 2085268-1 AND WITH ELCON EDP20415-A

6. CONNECTOR IS A REPLACEMENT FOR ELCON EDSI0415.



19	6648319-1	SOCKET CONTACTS, CRIMP, SIZE No. 16	F
6	6648318-1	SOCKET CONTACTS, CRIMP, SIZE No. 12	E
1	1648469-1	MODULE "D"	D
1	1648470-1	MODULE "E"	C
2	1648466-1	MODULE "A"	B
2	6648252-1	END CAP, GUIDE SOCKET, FLOAT MOUNT	A
-1	PART NO.	DESCRIPTION	ITEM NO.

<small>THIS DRAWING IS A CONTROLLED DOCUMENT FOR TYCO ELECTRONICS CORPORATION. IT IS SUBJECT TO CHANGE AND THE CONTROLLING ENGINEERING ORGANIZATION SHOULD BE CONTACTED FOR THE LATEST REVISION.</small>		DWN <u>R. GRZYBOWSKI</u> 9 JULY 09 CHK <u>D. ORRIS</u> 9 JULY 09 APVD <u>M. PERCHERKE</u> 9 JULY 09	Tyco Electronics Harrisburg, PA 17105-3608
DIMENSIONS: INCHES	TOLERANCES UNLESS OTHERWISE SPECIFIED: 0 PLC ± 1 PLC ±.02 2 PLC ±.02 3 PLC ±.010 4 PLC ± ANGLES ±3 FINISH	PRODUCT SPEC APPLICATION SPEC	NAME SOCKET CONNECTOR DOMINO W/ PANEL CUT-OUT
MATERIAL		WEIGHT	SIZE CAGE CODE DRAWING NO. RESTRICTED TO
			A200779C-2085269 -
CUSTOMER DRAWING		SCALE 2:1	SHEET 1 OF 2 REV C

4

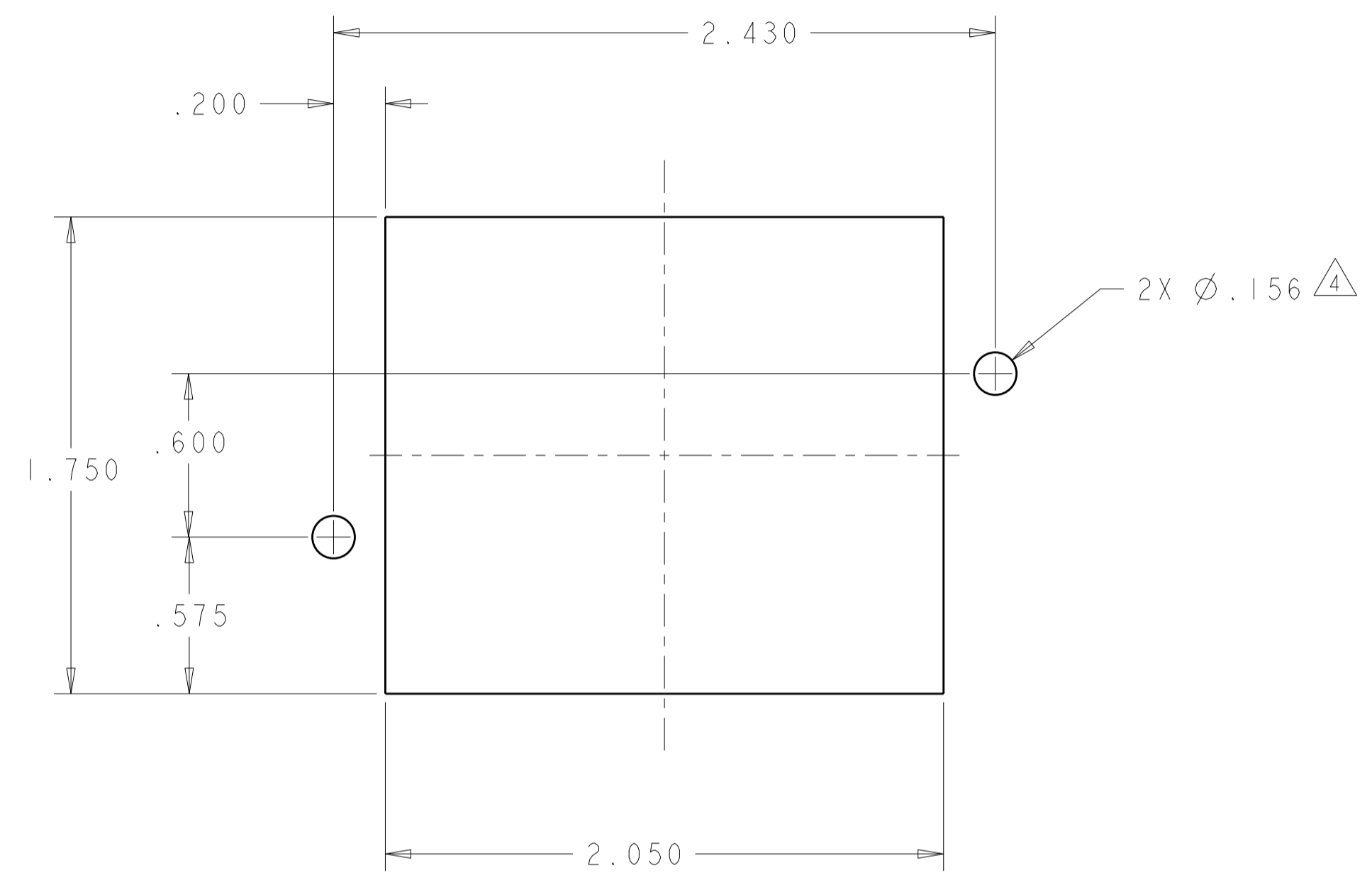
3

2

1

THIS DRAWING IS UNPUBLISHED. RELEASED FOR PUBLICATION 20
 © COPYRIGHT 20 BY TYCO ELECTRONICS CORPORATION. ALL RIGHTS RESERVED.

LOC	DIST	REVISIONS			
P	LTR	DESCRIPTION	DATE	DWN	APVD
GP	00	-	SEE SHEET 1	-	-



SOCKET PANEL MOUNT CUTOUT
 COMPONENT SIDE

<small>THIS DRAWING IS A CONTROLLED DOCUMENT FOR TYCO ELECTRONICS CORPORATION IT IS SUBJECT TO CHANGE AND THE CONTROLLING ENGINEERING ORGANIZATION SHOULD BE CONTACTED FOR THE LATEST REVISION.</small>		DWN <u>R. GRZYBOWSKI</u> 9 JULY 09 CHK <u>D. ORRIS</u> 9 JULY 09 APVD <u>M. PERCHERKE</u> 9 JULY 09	Tyco Electronics Harrisburg, PA 17105-3608
DIMENSIONS: INCHES	TOLERANCES UNLESS OTHERWISE SPECIFIED: 0 PLC ± 1 PLC ± 2 PLC ±.02 3 PLC ±.010 4 PLC ± ANGLES ±3 FINISH	PRODUCT SPEC APPLICATION SPEC WEIGHT	NAME SOCKET CONNECTOR DOMINO W/ PANEL CUT-OUT
MATERIAL	FINISH	CUSTOMER DRAWING	SIZE A2 CAGE CODE 00779 DRAWING NO. C-2085269 RESTRICTED TO
AMP 1471-9 REV 31MAR2000		SCALE 2:1	SHEET 2 OF 2 REV C