

New

PFCS260-8H

PFC Choke 260 μ H / 8Arms / 15Apk / 100kHz

INDUCTIVE COMPONENTS / PFC CHOKES



APPLICATIONS

- › Automotive EV/PHV AC/DC onboard battery chargers

01 FEATURES

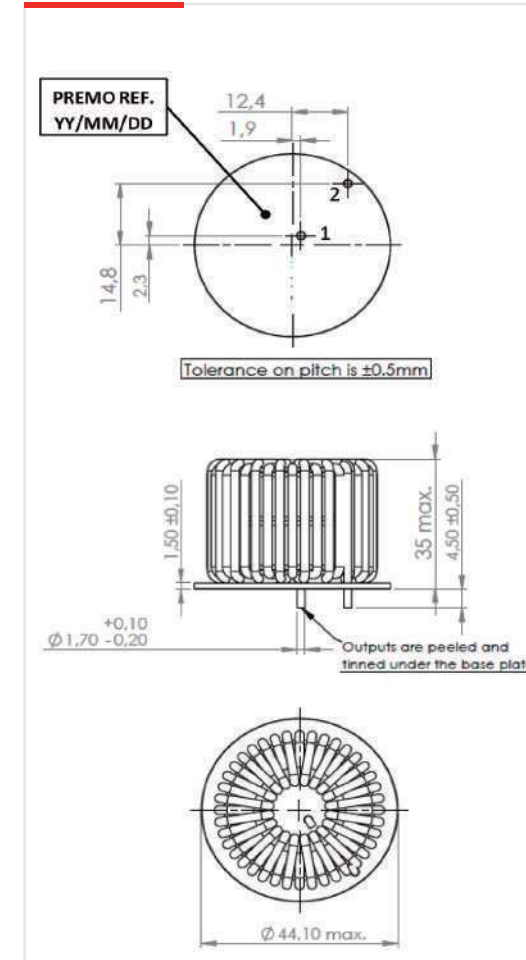
- › PFC Choke for interleaved 3.5kW operation
- › Sendust core performant and cost effective solution
- › Wide operating temperature range -40 to +140°C
- › UL94 and RoHS materials
- › AEC-Q200 qualified
- › Weight : approx 110grams

02 OPERATION

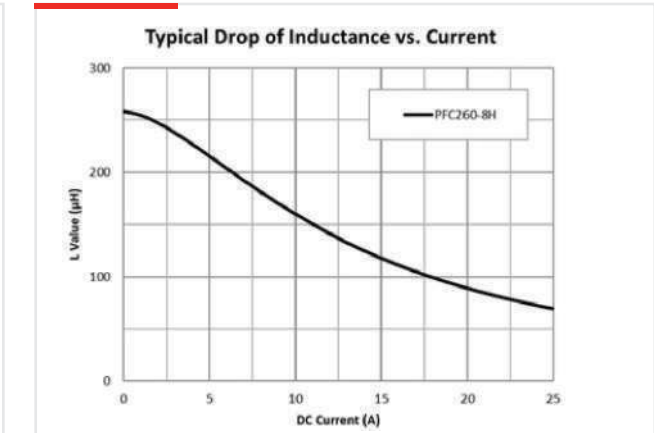
- › Up to 8Arms / 15Apk
- › Ripple up to 8App @100kHz
- › Total losses < 6W @100°C/8Arms+ripple
- › Estimated temperature rise on PCB < 40°C

03 SPECIFICATIONS

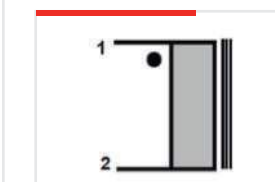
DIMENSIONS



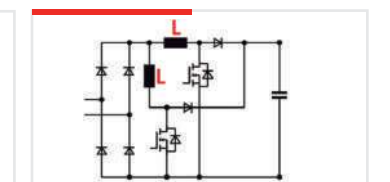
TYPICAL PERFORMANCES



ELECTRICAL DIAGRAM



PFC INTERLEAVED OPERATION



ELECTRICAL SPECIFICATIONS

INDUCTANCE at 25°C	
L0 (100kHz/1Vac)	260 μ H \pm 12%
L15A (100kHz/1Vac/15Adc)	90 μ H MIN
DC RESISTANCE at 25°C	
DCR	24m Ω TYP (30m Ω MAX)