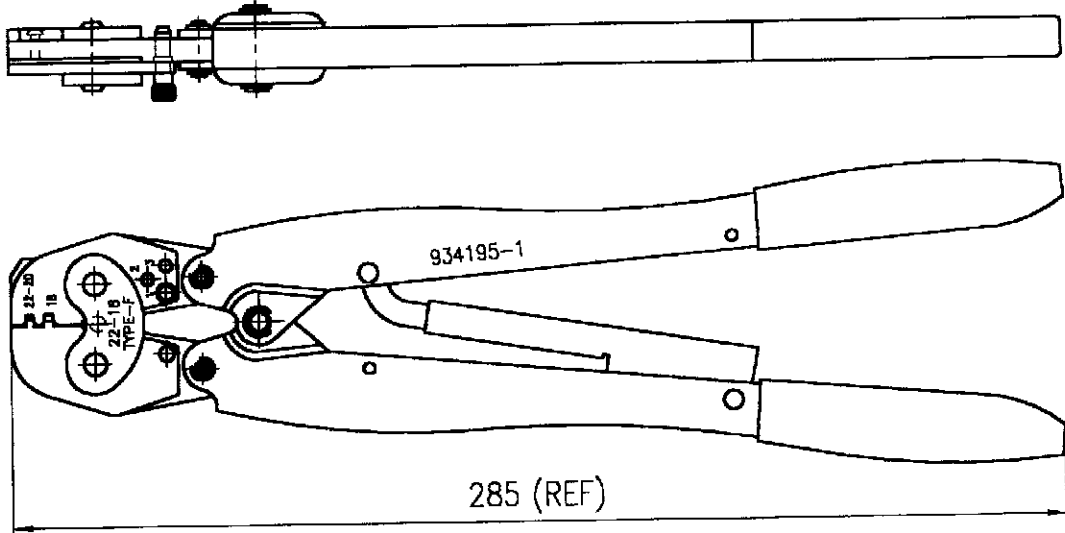


番号 (NUMBER)  
934195-1



| CRIMP SYMBOL | TERMINAL NO |          | WIRE SIZE (mm <sup>2</sup> ) | INSUL SIZE (mm) | TERMINAL C/H(mm) |     | TERMINAL SPEC | IS NO.       |
|--------------|-------------|----------|------------------------------|-----------------|------------------|-----|---------------|--------------|
|              | STRIP       | L.P.     |                              |                 | WIRE             | INS |               |              |
| 压着部<br>記号    | 適用端子        |          | 適用電線<br>(mm <sup>2</sup> )   | 絶縁被覆径<br>(mm)   | 芯線部圧着高さ (mm)     |     | 圧着規格          | IS 番号        |
|              | 連鎖状         | バラ状      |                              |                 | WIRE             | INS |               |              |
| 22-20        | —           | 179423-1 | # 22<br>(0.30-0.35)          | 1.1-2.0         | 0.78-0.94        | —   | 114-<br>5160  | 411-<br>5658 |
|              |             | 179424-2 | # 20<br>(0.50-0.56)          |                 | 0.78-1.03        |     |               |              |
|              |             | 179428-1 | # 18<br>(0.75-0.89)          | 1.5-2.2         | 0.87-1.15        | —   |               |              |
| 18           |             |          |                              |                 |                  |     |               |              |

単位：mm DIMENSIONS IN MM. DO NOT SCALE PRINT

PRINT DIST

|            |                           |     |           |   |                               |  |     |  |          |      |      |           |       |            |      |       |      |
|------------|---------------------------|-----|-----------|---|-------------------------------|--|-----|--|----------|------|------|-----------|-------|------------|------|-------|------|
|            |                           |     |           | 絶縁電線断面積 (WIRE RANGE)<br>— mm <sup>2</sup> (AWG —) |                               | 尺度 (SCALE)<br>— 一般公差                           |     | <table border="1"> <tr> <td>10以下</td> <td>±0.2</td> </tr> <tr> <td>10以上 30以下</td> <td>±0.25</td> </tr> <tr> <td>30以上 100以下</td> <td>±0.3</td> </tr> <tr> <td>100以上</td> <td>±0.5</td> </tr> </table> |          | 10以下 | ±0.2 | 10以上 30以下 | ±0.25 | 30以上 100以下 | ±0.3 | 100以上 | ±0.5 |
| 10以下       | ±0.2                      |     |           |   |                               |  |     |  |          |      |      |           |       |            |      |       |      |
| 10以上 30以下  | ±0.25                     |     |           |   |                               |  |     |  |          |      |      |           |       |            |      |       |      |
| 30以上 100以下 | ±0.3                      |     |           |   |                               |  |     |  |          |      |      |           |       |            |      |       |      |
| 100以上      | ±0.5                      |     |           |   |                               |  |     |  |          |      |      |           |       |            |      |       |      |
|            |                           |     |           | 被覆外径 (INSULATION DIA.)<br>— mm                    |                               | <b>AMP</b>   日本イー・エム・ピー株式会社<br>Kawasaki, Japan |     |  |          |      |      |           |       |            |      |       |      |
|            |                           |     |           | 材料 (MATERIAL)<br>—                                |                               |  |     |  |          |      |      |           |       |            |      |       |      |
| 01         | REDRAWN WITH CHANGE       | R.S | K.S       | 4/23/98   | 仕上 (FINISH)<br>—              |  | LOC | SIZE   | 番号 (NO)  | REV. |      |           |       |            |      |       |      |
| LTR.       | 変更 (REVISION RECORD)      | DR. | CHK.      | DATE  | 名称 (NAME)                     |  | J   | JA4  | 934195-1 | 01   |      |           |       |            |      |       |      |
| DR.        | (13 NOV '97)<br>R. SUZUKI | APP | S. YABE   |   | DOUBLE ACTION HAND TOOL ASS'Y |  |     |  |          |      |      |           |       |            |      |       |      |
| CHK.       | K. SHIMADA                | REL | K. KOMURO |   |                               |  |     |  |          |      |      |           |       |            |      |       |      |