

MATERIALS AND FINISHES

FRONT BODY
BRASS
PLATED: GOLD(4 μm)

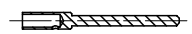
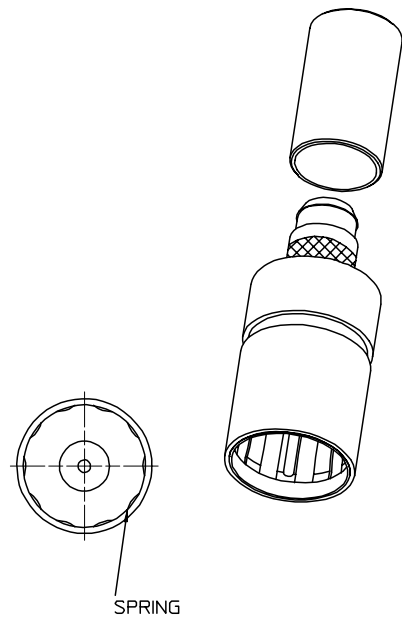
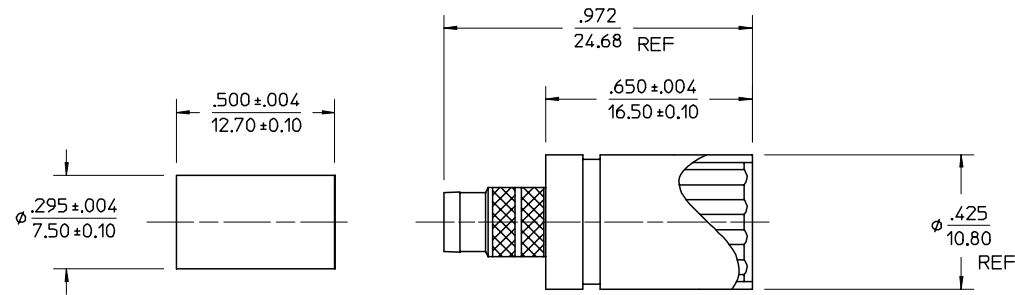
REAR BODY
BRASS
PLATED: NICKEL(70 μm)

CENTER CONTACT
BRASS
PLATED: GOLD(4 μm)

SPRING
PHOSPHOR BRONZE
PLATED:GOLD(4 μm)

CRIMP TUBE
BRASS
PLATED: NICKEL(70μm)

INSULATOR:
TEFLON



PART # 73412-0260

CHG: NEW RELEASE EC NO. PDR04-071 DRWN: JOHN JAN/16/04 CHK: KENNY JAN/16/04 APPR: MISEN JAN/16/04	DESCRIPTION UNLESS OTHERWISE SPECIFIED DIMS ARE INCHES AND ANGLES ARE DEGREES. 1. ✓ 63 ALL OVER. 2. NO CHATTER OR NON-UNIFORM SURFACE FINISH ALLOWED. 3. PARTS TO BE FREE OF BURRS & SHARP EDGES .005 MAX BREAK. 4. EXTERNAL THREADS TO BE ROLLED OR SINGLE POINT. 5. DIAMETERS TO BE CONCENTRIC WITHIN .003 TIR.	QUALITY SYMBOLS MAJOR CRITICAL	GENERAL TOLERANCES: (UNLESS SPECIFIED) mm INCH 4 PLACES * * 3 PLACES * * 2 PLACES * .25 * 1 PLACE * .25 * ANGULAR: ±2°	SCALE DESIGN UNITS <input checked="" type="checkbox"/> mm <input type="checkbox"/> INCH	DRAWN BY & DATE JOHN JAN/28/04 CHECKED BY & DATE KENNY JAN/28/04 APPROVED BY & DATE MISEN JAN/28/04	THIRD ANGLE PROJECTION TITLE: 75 OHM F TYPE PUSH ON S/T CONNECTOR CRIMP RG-59 MOLEX MOLEX INCORPORATED - TAIWAN (MXT)	DIMENSIONS: <input type="checkbox"/> mm <input type="checkbox"/> INCH <input checked="" type="checkbox"/> mm <input type="checkbox"/> INCH ONLY	1 A SHT REV REVISE ON CAD ONLY
		CAD FILENAME	MATERIAL NO. SEE NOTE	DRAWING NO. SD-73412-026	SHEET NO. 1 of 1			
		DRAFT WHERE APPLICABLE MUST REMAIN WITHIN DIMENSIONS			THIS DRAWING CONTAINS INFORMATION THAT IS PROPRIETARY TO MOLEX INCORPORATED AND SHOULD NOT BE USED WITHOUT WRITTEN PERMISSION.	SIZE B		
		UBORD.DGN REV A 96/06/12 LEVEL 4						