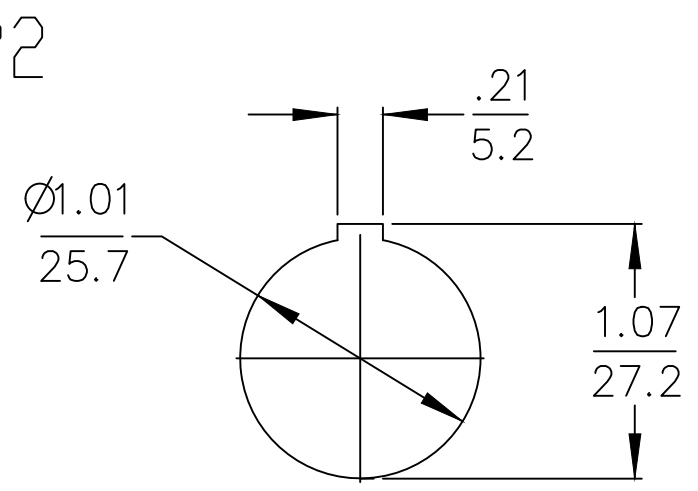
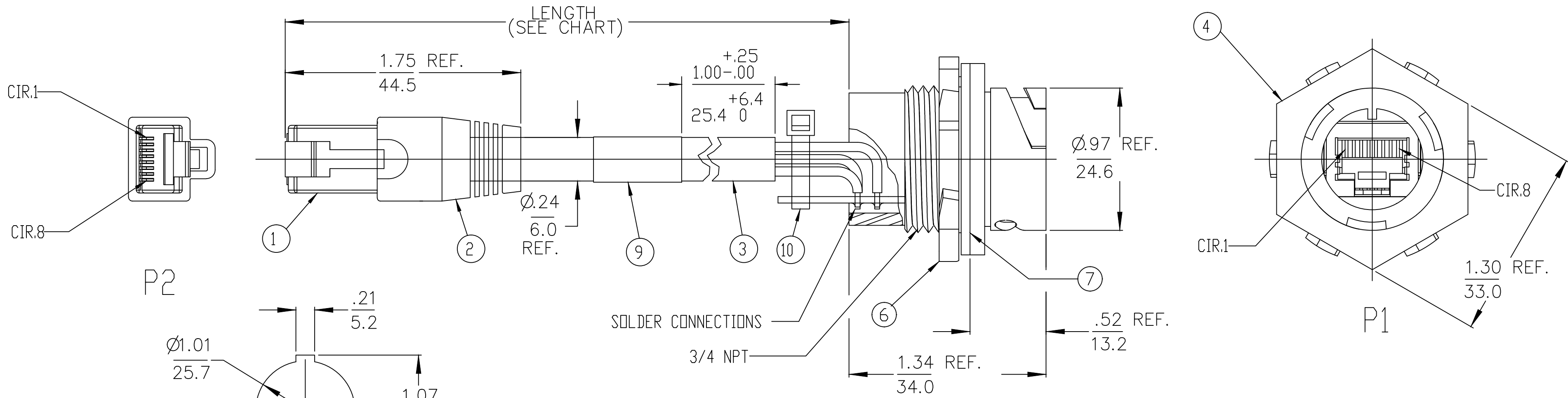
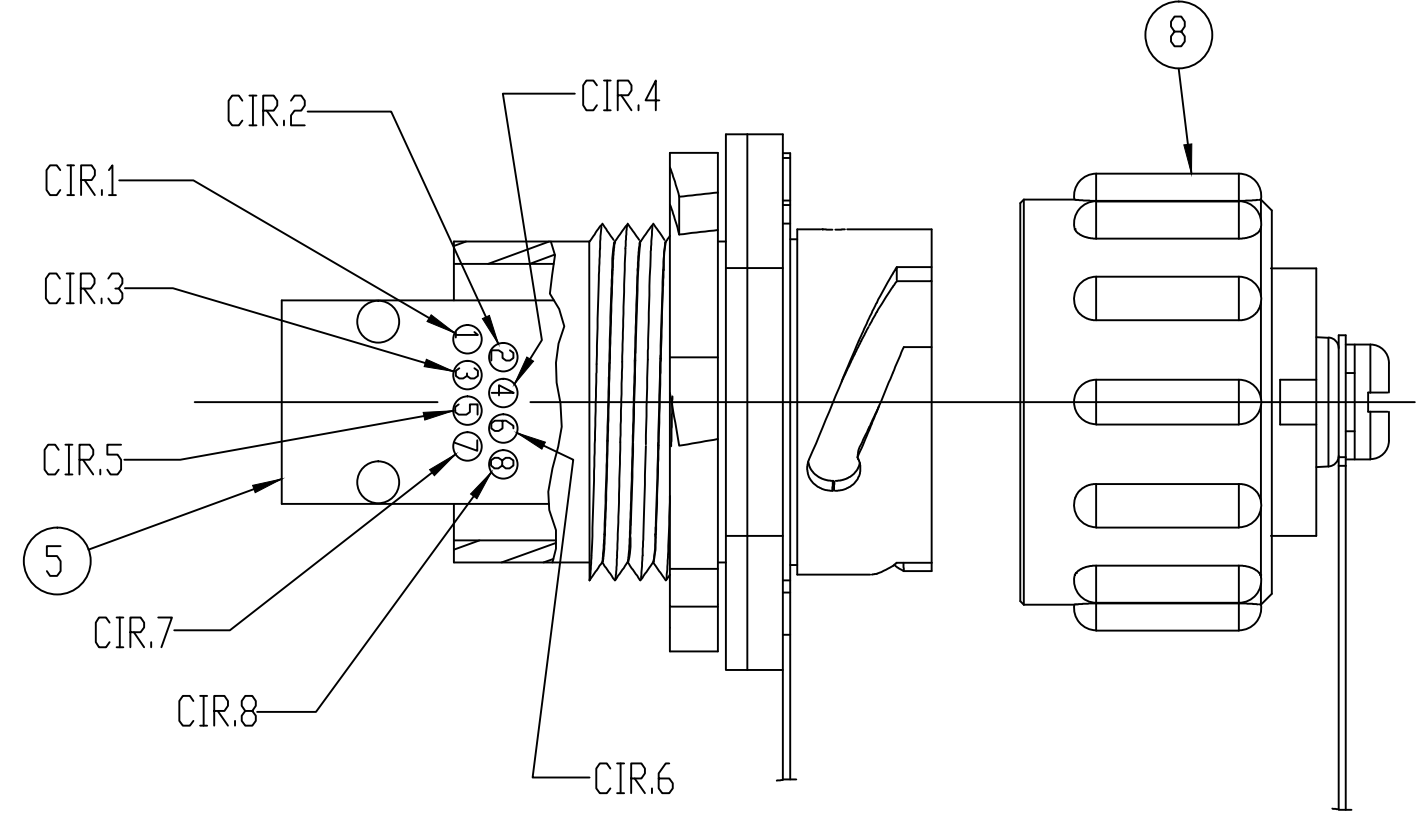
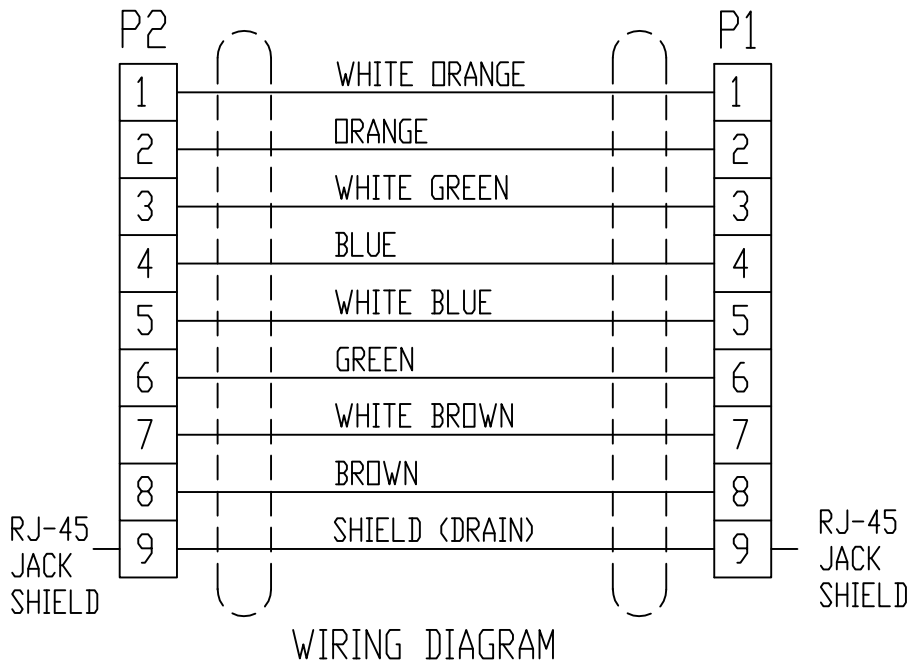


PART NUMBER	CABLE LENGTH
847000005	12.00 +.75-0 [305mm +19mm-0]
847000006	4.00" +.75-0 [102mm +19mm-0]



- NOTES:
1. MATERIAL: AS NOTED
 2. FINISH: AS NOTED
 3. ELECTRICAL:
VOLTAGE: 125V
CURRENT: 1.5A
 4. PRODUCT SPEC: PS-84700-001
 5. SHIELDS ARE TERMINATED AS SHOWN IN WIRING DIAGRAM
 6. CABLE STD: UL444/CSA-22.2 NO.214
 7. PCB ASSEMBLY PUSH-OUT: 20 LBS. MIN.
 8. PARTS ARE PACKED IN CLEAR POLY BAG WITH BARCODE LABEL ATTACHED
 9. ASSEMBLY IS RoHS COMPIANT



ITEM	QTY.	DESCRIPTION	MATERIAL	FINISH
10	1	CABLE TIE	NYLON	WHITE
9	1	LABEL	VINYL	YELLOW/BLACK
8	1	DUST COVER & TETHER	POLYESTER	BLACK
7	1	PANEL GASKET	NEOPRENE	BLACK
6	1	PANEL LOCKNUT	STEEL	ZINC PLATED
5	1	PCB ASSEMBLY	PURCHASED ASSY.	VENDOR SPEC.
4	1	RECEPTACLE MOLDED	POLYESTER	BLACK
3	1	CABLE, CAT 5E, 4PR, 24AWG, TYPE CM	PVC JACKET	GRAY
2	1	SLIDING SLEEVE	POLYOLEFIN	BLACK
1	1	RJ-45 PLUG SHIELDED	PURCHASED ASSY.	VENDOR SPEC.

REDRAWN WAS CO-CREATE EC NO.: IFCG2019-0360 DRWN: RSTONE 2019/01/28 CHKD: M ZIELIN APPR: BWOODMAN2019/02/05	QUALITY SYMBOL ▽=0 ▽C=0
---	-------------------------------

GENERAL TOLERANCES (UNLESS SPECIFIED)		DIMENSION STYLE IN/MM		SCALE ---	DESIGN UNITS METRIC	THIRD ANGLE PROJECTION
4 PLACES	±---	mm	INCH	DRAWN BY RSTONE	DATE 2019/01/28	TITLE
3 PLACES	±---			CHECKED BY M ZIELIN	DATE ---	DBL. ENDED FEMALE RJ-45 BULKHEAD TO RJ-45 PLUG 4PR CAT 5E CABLE
2 PLACES	±---			APPROVED BY BWOODMAN	DATE 2019/02/05	MOLEX INCORPORATED
1 PLACE	±---			MATERIAL NO. SEE P/N CHART	DOCUMENT NO. SD-84700-004	SHEET NO. 1 OF 1
DRAFT WHERE APPLICABLE MUST REMAIN WITHIN DIMENSIONS		ANGULAR ±---°		THIS DRAWING CONTAINS INFORMATION THAT IS PROPRIETARY TO MOLEX INCORPORATED AND SHOULD NOT BE USED WITHOUT WRITTEN PERMISSION		

REF. THIS DRAWING SUPERSEDES CO-CREATE DOC SD-84700-007 REV-E