



P/N: MMP LA3-12V-5-A-SP-100

DESIGN FEATURES:

- IP65 INGRESS PROTECTION
- LOW NOISE DESIGN
- ZINC ALLOY HOUSING
- ALUMINUM OUTER TUBE
- PERMANENTLY LUBRICATED
- ACME SCREW (ANTI-BACKDRIVING)
- ENHANCED CORROSION RESISTANCE
- NON-ROTATING ALUMINUM INNER TUBE
- BUILT-IN LIMIT SWITCHES, BOTH ENDS OF TRAVEL



Performance Parameters	Value	Units
Gear Ratio	5:1	-
Input Voltage	12	VDC
Load Capacity (Force)	45 (200)	Lbs (N)
Static Load	517 (2300)	Lbs (N)
Stroke Length	4 (100)	IN (mm)
Speed @Full Load	1.5	IN/SEC
Maximum Recommended Duty	25%	-
Operating Temp Range	-15°F ~ 150°F (-26°C ~ 65°C)	

MIDWEST MOTION PRODUCTS

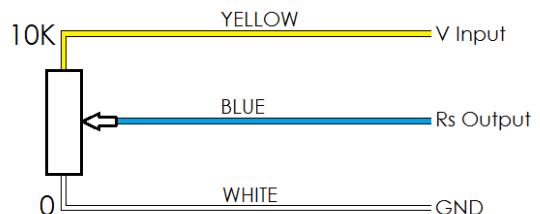
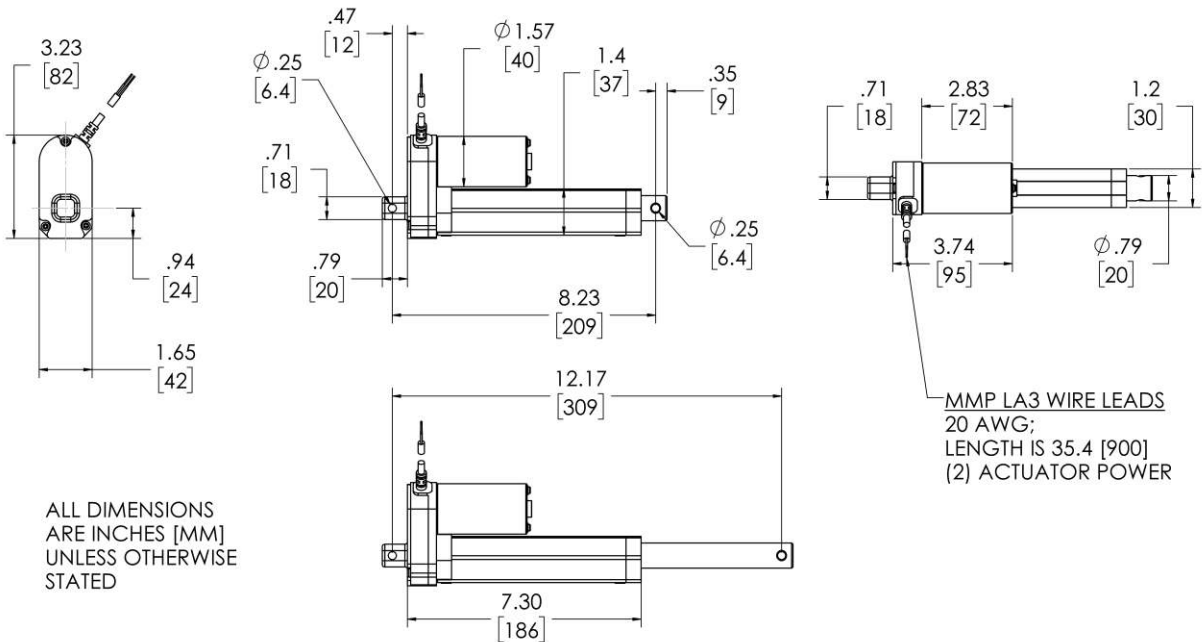
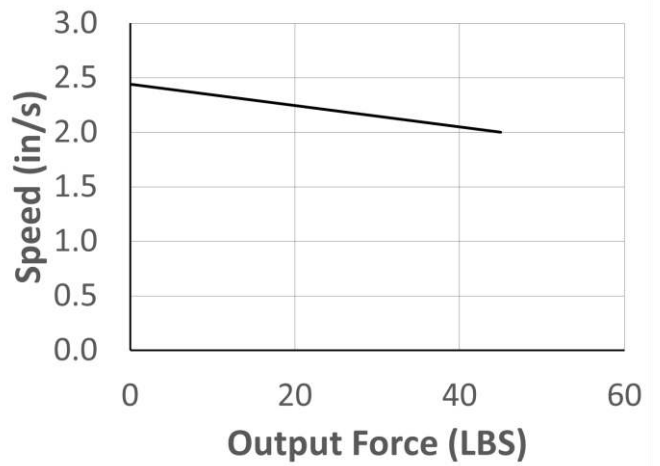
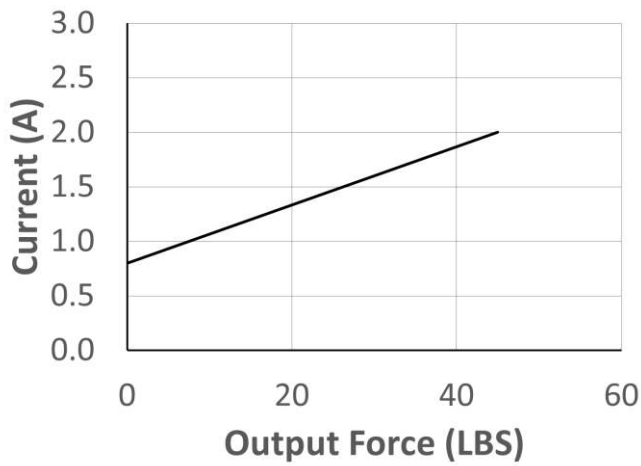
DESIGN, MANUFACTURING & DISTRIBUTION - MOTION CONTROL EQUIPMENT

www.midwestmotion.com email: sales@midwestmotion.com

MIDWEST MOTION PRODUCTS



TECHNICAL DETAILS :



MIDWEST MOTION PRODUCTS

DESIGN, MANUFACTURING & DISTRIBUTION - MOTION CONTROL EQUIPMENT

www.midwestmotion.com

email: sales@midwestmotion.com

MIDWEST MOTION PRODUCTS