

QPD PSK 5X2,5 - Protective cap

1404529

<https://www.phoenixcontact.com/us/products/1404529>

Please be informed that the data shown in this PDF document is generated from our online catalog. Please find the complete data in the user documentation. Our general terms of use for downloads are valid.

Protective cap, transparent plastic, for 5 x 2.5 mm² QPD connector, IP50.



Commercial data

Item number	1404529
Packing unit	1 pc
Minimum order quantity	10 pc
Sales key	BF50
Product key	BF6ZWX
Catalog page	Page 488 (C-2-2019)
GTIN	4046356698719
Weight per piece (including packing)	3.73 g
Weight per piece (excluding packing)	3.73 g
Customs tariff number	39269097
Country of origin	DE

QPD PSK 5X2,5 - Protective cap

1404529

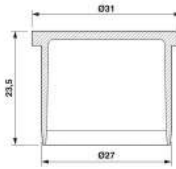
<https://www.phoenixcontact.com/us/products/1404529>

Technical data

Product properties

Type	QPD
Product type	Protective cap
Product family	QPD
Seal present	no
Series	QPD

Dimensions

Dimensional drawing	
Width	31 mm
Height	23.5 mm
Length	31 mm

Material specifications

Color	transparent
Material	Plastic
Flammability rating according to UL 94	V0

Environmental and real-life conditions

Ambient conditions

Degree of protection	IP50
	IP50
Ambient temperature (operation)	-40 °C ... 80 °C
Ambient temperature (storage/transport)	-40 °C ... 80 °C

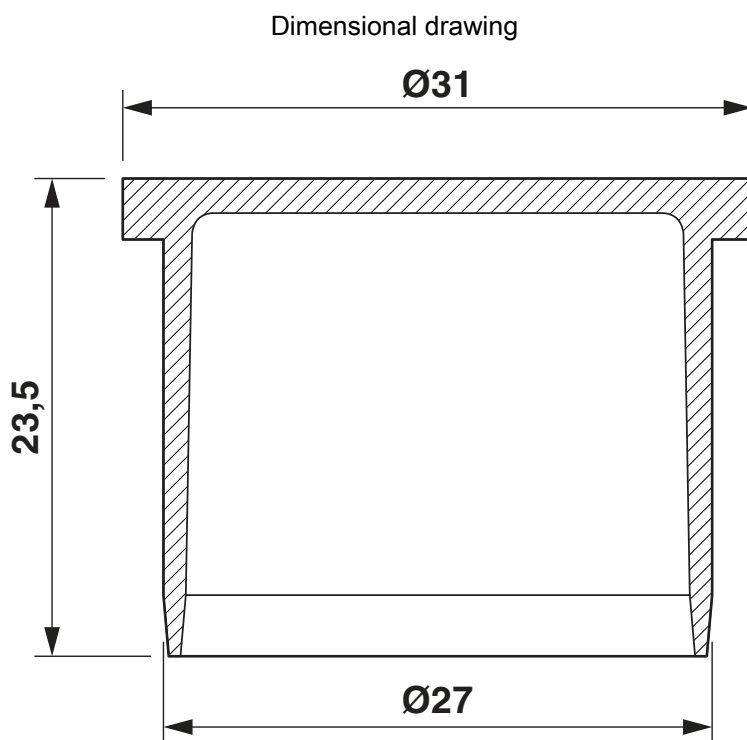
QPD PSK 5X2,5 - Protective cap

1404529

<https://www.phoenixcontact.com/us/products/1404529>



Drawings



QPD PSK 5X2,5 - Protective cap

1404529

<https://www.phoenixcontact.com/us/products/1404529>



Approvals

🔗 To download certificates, visit the product detail page: <https://www.phoenixcontact.com/us/products/1404529>



DNV GL

Approval ID: TAE00003J5

QPD PSK 5X2,5 - Protective cap



1404529

<https://www.phoenixcontact.com/us/products/1404529>

Classifications

ECLASS

ECLASS-11.0	27440208
ECLASS-12.0	27440208
ECLASS-13.0	27440208

ETIM

ETIM 8.0	EC002314
----------	----------

UNSPSC

UNSPSC 21.0	39121400
-------------	----------

QPD PSK 5X2,5 - Protective cap



1404529

<https://www.phoenixcontact.com/us/products/1404529>

Environmental product compliance

China RoHS	Environmentally friendly use period: unlimited = EFUP-e No hazardous substances above threshold values
------------	---

Phoenix Contact 2023 © - all rights reserved
<https://www.phoenixcontact.com>

Phoenix Contact USA
586 Fulling Mill Road
Middletown, PA 17057, United States
(+717) 944-1300
info@phoenixcon.com