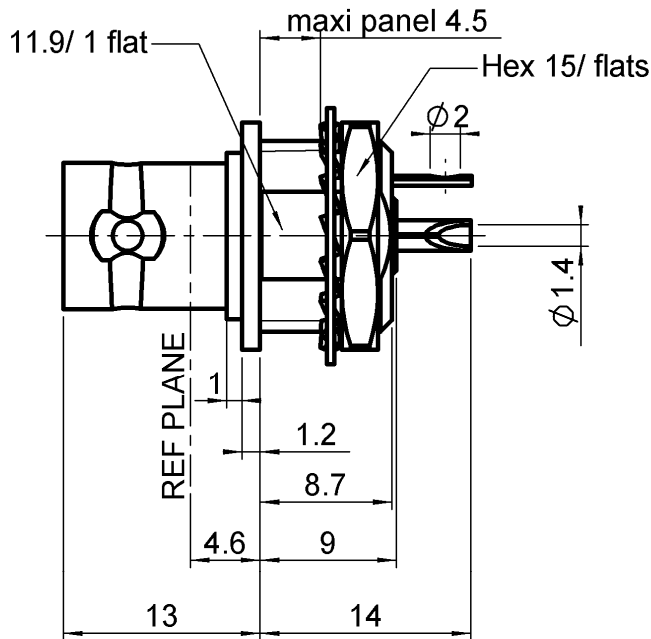


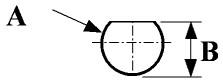
**INSULATED BULKHEAD JACK RECEPTACLE**  
**FR. MOUNT. WITH SOLDER POT CONTACT + TAG**

**R141.572.000**

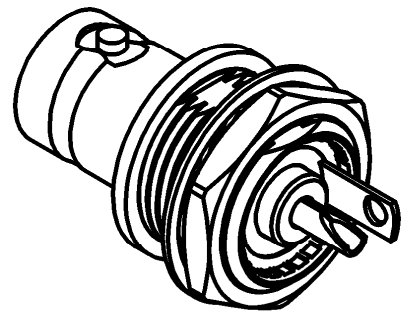
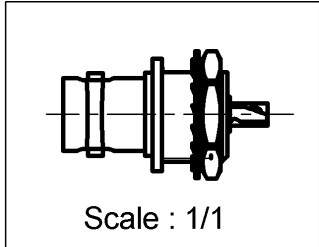
Series : BNC



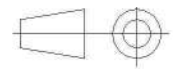
**PANEL CUT OUT**



mm		
	Maxi	mini
A	12.9	12.8
B	12.1	12



All dimensions are in mm.



COMPONENTS	MATERIALS	PLATING (µm)
BODY	BRASS	NICKEL 2
CENTER CONTACT	BERYLLIUM COPPER	GOLD 0.5 OVER NICKEL 2
OUTER CONTACT	-	-
INSULATOR	PTFE	-
GASKET	-	-
OTHERS PARTS	-	-
-	-	-
-	-	-

Issue : 0912 N

In the effort to improve our products, we reserve the right to make changes judged to be necessary.



**INSULATED BULKHEAD JACK RECEPTACLE**

**R141.572.000**

**FR. MOUNT. WITH SOLDER POT CONTACT + TAG**

Series : BNC

**PACKAGING**

**SPECIFICATION**

Standard	Unit	Other
<b>100</b>	<b>'W' option</b>	<b>Contact us</b>

**QAE 06-02 - -**

**ELECTRICAL CHARACTERISTICS**

**ENVIRONMENTAL**

Impedance **50** Ω  
 Frequency **0-4** GHz  
 VSWR **1.30 + 0,0000** x F(GHz) Maxi  
 Insertion loss **0.1\*** √F(GHz) dB Maxi  
 RF leakage - ( **57** - F(GHz)) dB Maxi  
 Voltage rating **500** Veff Maxi  
 Dielectric withstanding voltage **1500** Veff mini  
 Insulation resistance **5000** MΩ mini

Operating temperature **-65/+165** ° C  
 Hermetic seal **NA** Atm.cm3/s  
 Panel leakage **NA**

**OTHER CHARACTERISTICS**

Assembly instruction **NA**

Others :  
 \* Coaxial Transmission Line Only

**MECHANICAL CHARACTERISTICS**

Center contact retention  
 Axial force – Mating end **18** N mini  
 Axial force – Opposite end **18** N mini  
 Torque **2.8** N.cm mini  
  
 Recommended torque  
 Mating **NA** N.cm  
 Panel nut **370** N.cm  
  
 Mating life **500** Cycles mini  
 Weight **11,4130** g

Issue : 0912 N

In the effort to improve our products, we reserve the right to make changes judged to be necessary.

