

4

3

2

1

THIS DRAWING IS UNPUBLISHED.

RELEASED FOR PUBLICATION

20

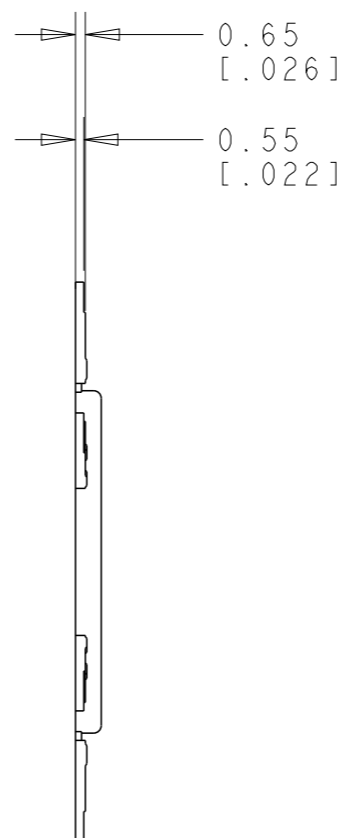
© COPYRIGHT 20 BY -

ALL RIGHTS RESERVED.

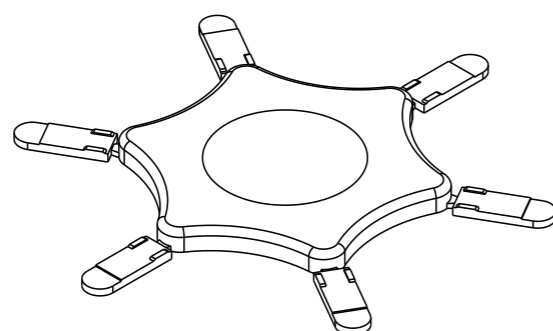
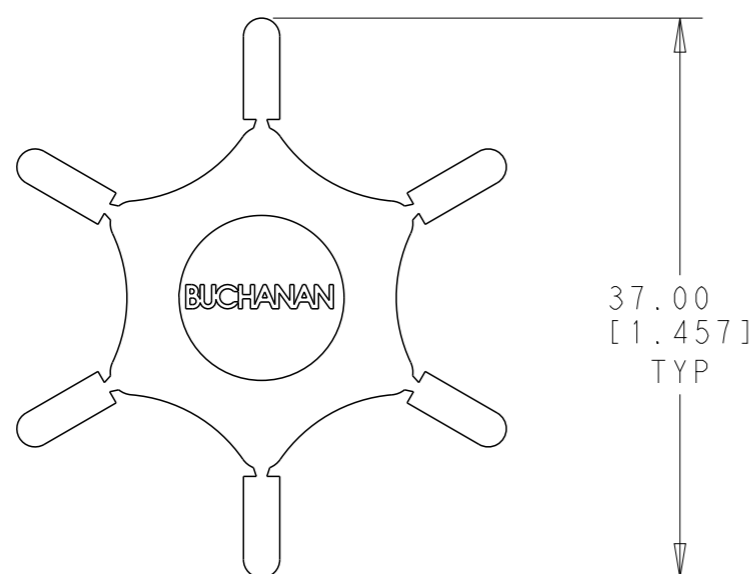
LOC - DIST -

REVISIONS

P	LTR	DESCRIPTION	DATE	DWN	APVD
	A	NEW DRAWING	17SEP2012	KH	MB



1 TEMPERATURE RATING 110°C [230°F]



RED	PA 6-6, UL94-V0	1546051-1
COLOR	MATERIAL	PART NUMBER

THIS DRAWING IS A CONTROLLED DOCUMENT.

DWN 17SEP2012 KIRAN HOLAL

CHK 17SEP2012 MARK BRUBAKER

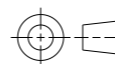
APVD 17SEP2012 MARK BRUBAKER

NAME POLARIZATION KEY FOR 3.5/3.81MM TERMINAL BLOCK HEADERS



DIMENSIONS: MM [INCHES]

TOLERANCES UNLESS OTHERWISE SPECIFIED:



- 0 PLC ±-
- 1 PLC ±-
- 2 PLC ±0.15 [0.006]
- 3 PLC ±-
- 4 PLC ±-
- ANGLES ±-
- FINISH -

PRODUCT SPEC 108-20166

APPLICATION SPEC 114-20079

WEIGHT -

SIZE CAGE CODE DRAWING NO RESTRICTED TO

A300779 C-1546051

Customer Drawing

SCALE 2:1 SHEET 1 OF 1 REV A