

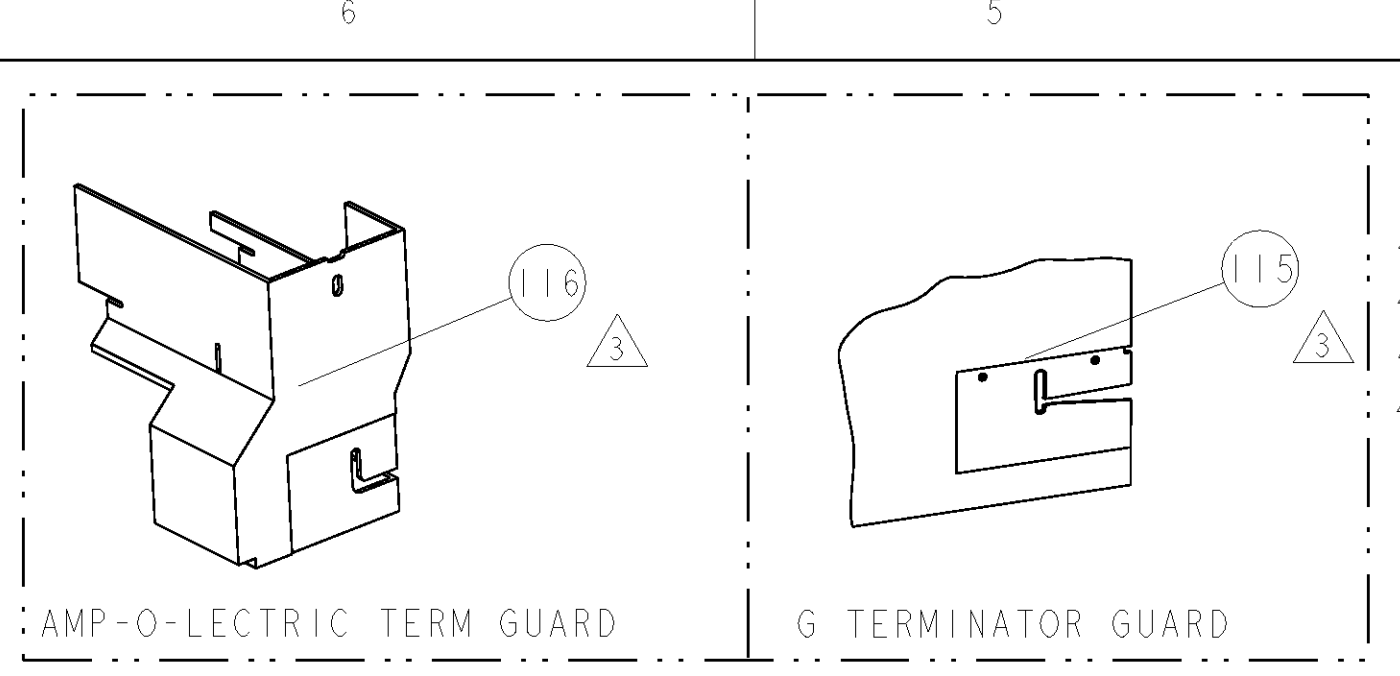
PART NUMBER	REV	FIRST USED	POWER UNIT	FEED TYPE	DESCRIPTION
1852725-1	B	122500-1	LEADMAKER	AIR FEED	CUTS CARRIER
1852725-2	A	565435-5	BENCH MODEL K	AIR FEED	CUTS CARRIER
1852725-3	A	354500-1	BENCH MODEL G	AIR FEED	CUTS CARRIER
7-1852725-7	A	-	-	-	SPARE PARTS

- 1 RECOMMENDED SPARE PARTS
- 2 GREASE LIGHTLY
- 3 GUARD MUST BE IN PLACE WHEN OPERATING APPLICATOR IN A BENCH MACHINE
- 4 INSTALL ITEMS 101, 102, & 119 ON SIDE OF STRIPPER ON APPL HOUSING USING ITEM 21.
- 5 FOR LARGE INSULATION DIAMETER PER TERMINAL MANUFACTURER .043-.067[1.09-1.70mm].
- 6

TE TERM PART NO	MOLEX PART NO	WIRE RANGE	INSULATION RANGE
286698-4	08-52-0101	30-22AWG or 0.05-0.35mm2	Ø1.09-1.57mm [1.043-.062]
286698-5	08-65-0815		
286698-6	08-65-0813		
286698-7	97-00-0444	28-22AWG or 0.08-0.35mm2	Ø1.20-1.70mm [1.047-.067]
1949741-1	08-70-0048		
1949741-2	08-70-0064		

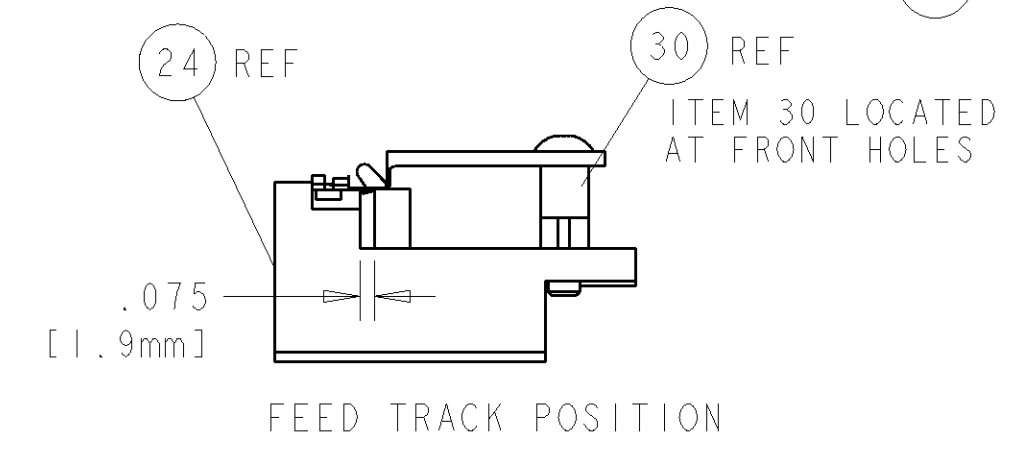
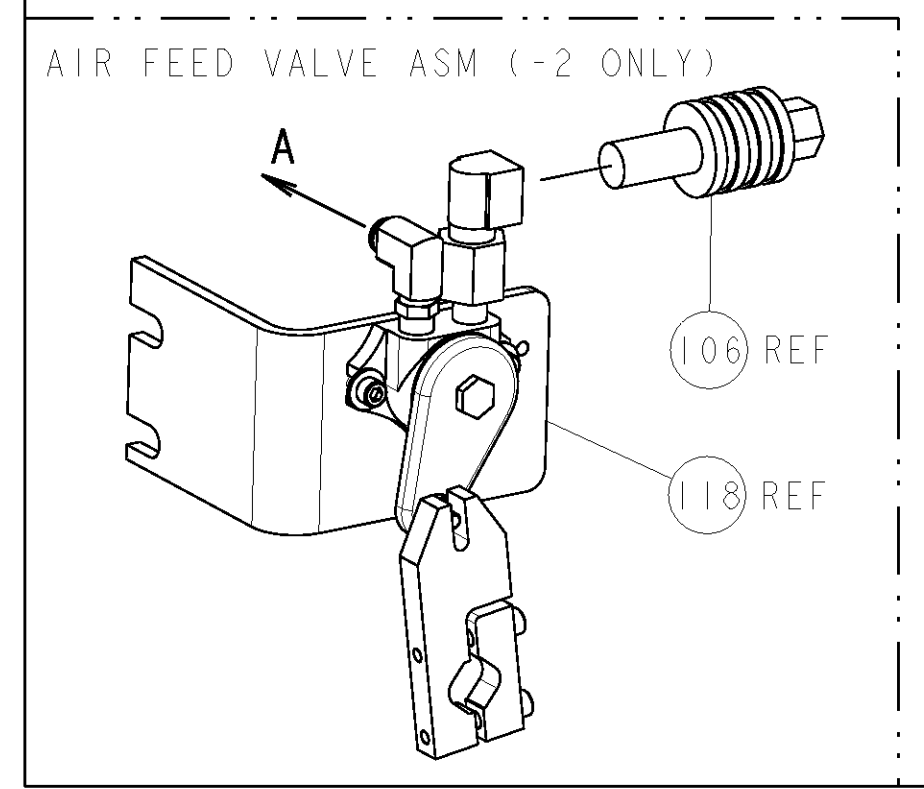
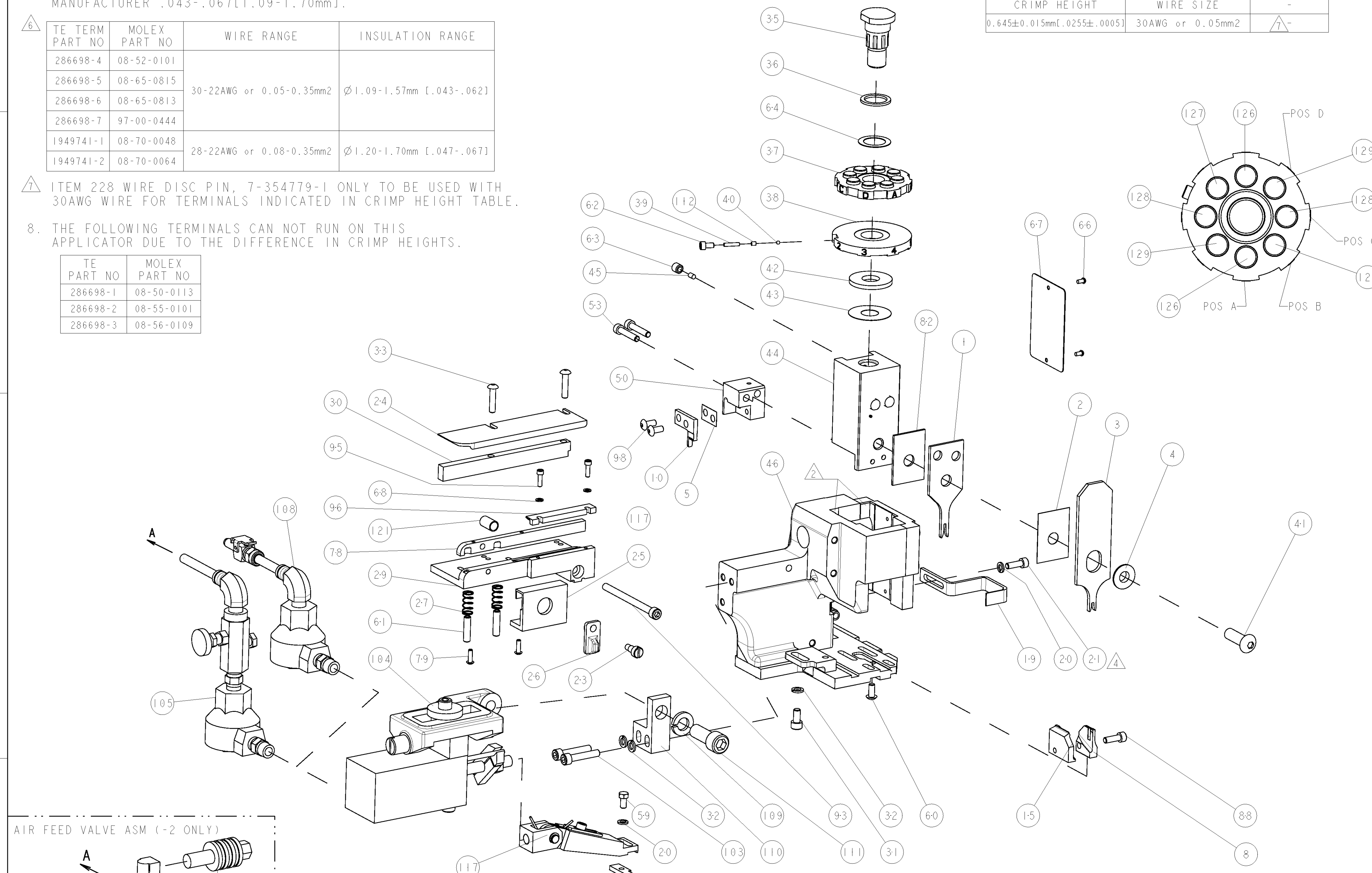
- 7 ITEM 228 WIRE DISC PIN, 7-354779-1 ONLY TO BE USED WITH 30AWG WIRE FOR TERMINALS INDICATED IN CRIMP HEIGHT TABLE.
- 8. THE FOLLOWING TERMINALS CAN NOT RUN ON THIS APPLICATOR DUE TO THE DIFFERENCE IN CRIMP HEIGHTS.

TE PART NO	MOLEX PART NO
286698-1	08-50-0113
286698-2	08-55-0101
286698-3	08-56-0109



TERMINAL NAME: KK® Crimp Terminal			
TE P/N	MOLEX P/N	MOLEX TERMINAL - MOLEX CRIMP SPECS	
286698-4	08-52-0101	CRIMP HEIGHT	
286698-5	08-65-0815	WIRE SIZE	
286698-6	08-65-0813	A	0.81±0.03mm [1.032±.001]
286698-7	97-00-0444	B	0.76±0.03mm [1.030±.001]
1949741-1	08-70-0048	C	0.71±0.03mm [1.028±.001]
1949741-2	08-70-0064	D	0.69±0.03mm [1.027±.001]
		CRIMP	SIZE
		WIRE	1.38mm [1.054]
		INSUL	1.95mm [1.077]
		APPLICATOR INSTRUCTIONS 408-8040	
		SET UP GAGE 458637-1	
		WIRE STRIP LENGTH 2.54-3.18mm [1.100-1.25]	
		TERM APPL SPEC NONE	
		FEED 5.08mm [1.900]	

ADDITIONAL CRIMP HEIGHTS		
CRIMP HEIGHT	WIRE SIZE	
0.645±0.015mm [1.025±.0005]	30AWG or 0.05mm2	1



LOC		REV		REVISIONS		DATE	BY	APPV
A	66			RELEASED		22OCT2008	LG	GB
		B		ECR-10-015326		26JUL2010	MY	TE

ITEM NO	QTY	REF	DESCRIPTION	ITEM NO
116	1		GUARD WINDOW	116
115	1		INSERT, GUARD	115
112	1		SPRING ASSIST AMP-O-MATOR APPLICATOR	112
111	1		SCR, SKT HD CAP 3/8-16 X 1.000	111
110	1		MOUNT, FEED BRACKET	110
109	1		WASHER, SPRG LOCK, REG 3/8	109
108	1		AIR FEED VALVE ASSEMBLY	108
106	1		VALVE, SHUT OFF	106
105	1		AIR FEED VALVE ASSEMBLY	105
104	1		ASSEMBLY, AIR FEED	104
103	1		SCR, SKT HD CAP 10-32 X 1.000	103
102	1		CLAMP, CABLE, BLACK	102
101	1		INSERT, COUPLING	101
98	1		SCR, BTN SKT HD CAP 8-32 X .375	98
96	1		FRONT STRIP GUIDE	96
95	1		SCR, SKT HD CAP 4-40 X .375	95
93	1		SCR, SKT HD CAP 10-32 X 2.500	93
88	1		SCR, SKT HD CAP 8-32 X .500	88
82	1		SPACER, CRIMPER	82
79	1		SCR, BTN SKT HD CAP 4-40 X .375	79
78	1		FENCE	78
72	1		SF APPL INST 408-8040	72
71	1		GENERAL INSTRUCTION PKG	71
68	1		WASHER, SPRG LOCK, REG NO 4	68
67	1		PLATE, IDENTIFICATION	67
66	1		SCREW, DRIVE	66
64	1		WASHER, FLAT PRECISION	64
63	1		SCR, SET, SELF LOCKING 1/4-20 X .250	63
62	1		SCR, SKT HD CAP 6-32 X .25	62
61	1		SCR, SET, CUP POINT 10-32 X .750	61
60	1		SCR, BHSC, SELF-LOCKING, 8-32 X .375	60
59	1		SCR, HEX HD CAP 8-32 X .312	59
56	1		FEED PAWL	56
53	1		SCR, SKT HD CAP 8-32 X .875	53
50	1		HOLDER, SLUG BLADE	50
46	1		APPL., BASIC AIR FEED SUB ASSY	46
45	1		PLUG, NYLON	45
44	1		RAM, SIDE FEED	44
43	1		SHIM SUB-ASSY	43
42	1		WASHER, RAM (.115)	42
41	1		SCR, BTN SKT HD CAP 5/16-24 X 1.00	41
40	1		BALL, STEEL	40
39	1		SPRING, COMPRESSION	39
38	1		DISC, INSULATION	38
37	1		WIRE DISC, ASSEMBLY	37
36	1		SPRING, COMPRESSION	36
35	1		POST, RAM	35
33	1		SCR, BTN SKT HD CAP 8-32 X .750	33
32	1		WASHER, SPRG LOCK, REG NO 10	32
31	1		SCR, SKT HD CAP 10-32 X .375	31
30	1		SPACER, STRIP GUIDE	30
29	1		PLATE, STRIP GUIDE	29
27	1		SPRING, COMPRESSION	27
26	1		LEVER, DRAG RELEASE	26
25	1		DRAG, SPECIAL	25
24	1		PLATE, STRIP GUIDE	24
23	1		SCR, SHLD, SLOT HD, 3/16 DIA	23
21	1		SCR, SKT HD CAP 8-32 X .500	21
20	1		WASHER, SPRG LOCK, REG NO 8	20
19	1		STRIPPER, SPECIAL	19
15	1		PLATE, REAR SHEAR	15
13	1			13
12	1			12
10	1		BLADE, SLUG	10
9	1			9
8	1		ANVIL, SPECIAL	8
7	1			7
6	1			6
5	1		SPACER	5
4	1		BLOCK, FL CRIMPER SPACER	4
3	1		CRIMPER, INSULATION F	3
2	1		SPACER, CRIMPER	2
1	1		CRIMPER, WIRE PREMIUM	1

ITEM NO	QTY	REF	DESCRIPTION	ITEM NO
228	1		PIN, WIRE DISC, .3345	228
129	1		PIN, WIRE DISC, .3310	129
128	1		PIN, WIRE DISC, .3300	128
127	1		PIN, WIRE DISC, .3280	127
126	1		PIN, WIRE DISC, .3270	126
121	1		SPRING, COMPRESSION	121
119	1		TUBING, POLY-FLO, NATURAL	119
118	1		AIR FEED VALVE ASSEMBLY	118
117	1		FEED FINGER ASSEMBLY	117

ITEM NO	QTY	REF	DESCRIPTION	ITEM NO			
77	3	-2	-1	U/M	PART NO	DESCRIPTION	ITEM NO
77	3	-2	-1	U/M			