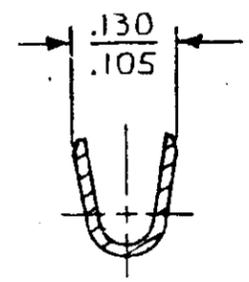
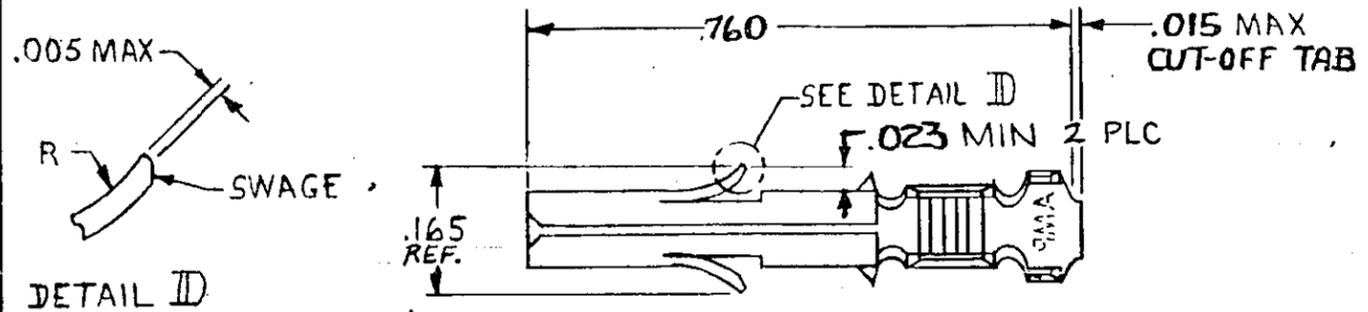
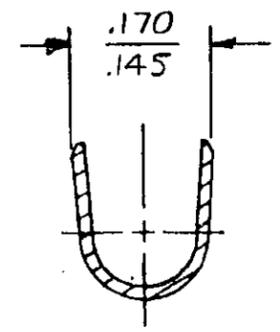
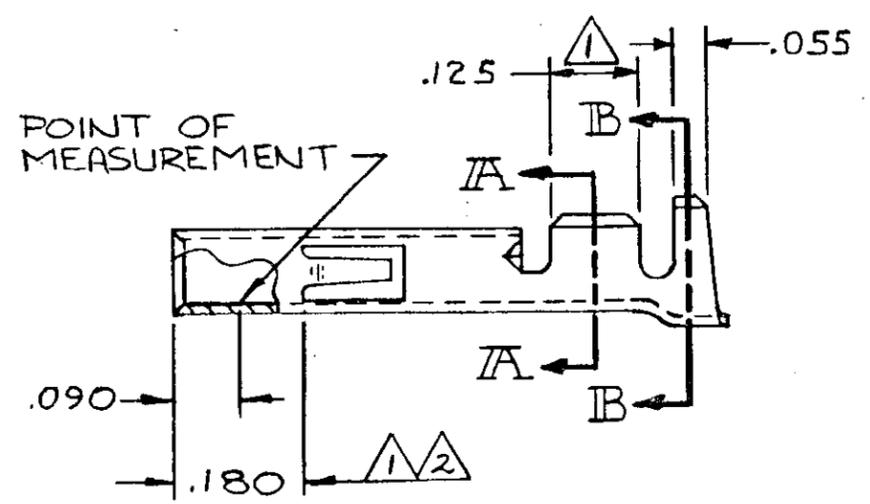


© COPYRIGHT 1973 BY AMP INCORPORATED, HARRISBURG, PA.  
 ALL INTERNATIONAL RIGHTS RESERVED. AMP INCORPORATED PRODUCTS  
 COVERED BY U. S. AND FOREIGN PATENTS AND/OR PATENTS PENDING.

REVISIONS						
P	F	ZONE	LTR	DESCRIPTION	DATE	APPROVED
✓	✓		M	REDRAWN & UPDATED M-6457	6-5-81	MSF/DH
✓	✓		N	ADDED .090, .180 DIMS, POINT OF MEAS, M-7357	5/12/83	TW/DH
✓			P	REVISED AG 57	9/2/83	SP/RS S. JAMES
✓			P	RESTORED	9/3/84	BK/D/RS
			R	REV PER EC 0730-3607-91	1-5-93	RV/RS



SECTION A-A



SECTION B-B

- ① .000030 THICK GOLD OVER NICKEL ON INSIDE OF RECEPTACLE AND WIRE BARREL; REMAINDER OF CONTACT IS NICKEL PLATED.
- ② .000030 THICK GOLD OVER NICKEL ON INSIDE OF RECEPTACLE; REMAINDER OF CONTACT IS NICKEL PLATED.

GOLD	②	.012 BRASS	350550-7
		.012 PH. BRZ	350550-6
PRE-TIN		.012 PH. BRZ	350550-3
GOLD	①	.012 BRASS	350550-2
PRE-TIN			350550-1
FINISH		MATERIAL	PART NO

UNLESS OTHERWISE SPECIFIED DIMENSIONS ARE IN INCHES. TOLERANCES ON: DECIMALS ±.015 ANGLES ±	CONTRACT NO	<b>AMP</b>   AMP INCORPORATED Harrisburg, Pa.	
	DR		
WIRE RANGE 20-14- AWG	CHK	NAME SOCKET, (LOOSE PIECE)	
	APPD	UNIVERSAL MATE-N-LOK	
INSULATION RANGE .130 DIA MAX	APPD	SIZE	CODE IDENT NO
	OTHER APPD	B	00779
		DRAWING NO	350550
		SCALE 4-1	SHEET -1-