

# G-INS-M12-M68L-PEPDS-LG - Cable gland



1424513

<https://www.phoenixcontact.com/us/products/1424513>

Please be informed that the data shown in this PDF document is generated from our online catalog. Please find the complete data in the user documentation. Our general terms of use for downloads are valid.



Cable gland, material for screw connection: PA, external cable diameter 3 mm ... 7 mm, shielding: no, connecting thread: M12 x 1.5, color: lightgrey RAL 7035

## Commercial data

Item number	1424513
Packing unit	1 pc
Minimum order quantity	10 pc
Sales key	BF68
Product key	BF7DCX
GTIN	4055626374185
Weight per piece (including packing)	7.19 g
Weight per piece (excluding packing)	7.19 g
Customs tariff number	39269097
Country of origin	DE

# G-INS-M12-M68L-PEPDS-LG - Cable gland

1424513

<https://www.phoenixcontact.com/us/products/1424513>

## Technical data

### Mounting

Assembly instructions	1) Mount screw connection support in the housing using the correct torque 2) Insert cable 3) Tighten union nut using the correct torque
-----------------------	-----------------------------------------------------------------------------------------------------------------------------------------

### Product properties

Product type	Full screw connection
No. of conductors	1
Manufacturer	WISKA
Manufacturer Designation	ESKV-L 12
Shielded	no
Execution of the strain relief	A

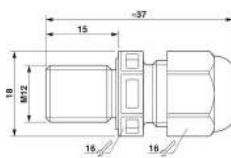
### Ex data

Suited for EX-applications	No
----------------------------	----

### Characteristics

Category of shock impact	2
Design, Strain relief	A

### Dimensions

Dimensional drawing	
Length	35 mm
Length of the connecting thread	15 mm
Hole diameter	12.1 mm ... 12.2 mm
Wrench size, union nut	16 mm
Wrench size, support	16 mm
Hexagon angular dimension	18 mm
Thread type connection side	M12 x 1.5
Thread pitch	1.5 mm

### Material specifications

Seal material Cable seal	EPDM
Material for screw connection	PA

### Cable/line

External cable diameter (Cable 1)	3 mm ... 7 mm
External cable diameter ( )	4.1 mm ... 6 mm (UL)

# G-INS-M12-M68L-PEPDS-LG - Cable gland



1424513

<https://www.phoenixcontact.com/us/products/1424513>

## Environmental and real-life conditions

### Ambient conditions

Degree of protection	IP68 (5 bar / 0.5 h)
	IP69
Ambient temperature (operation)	-40 °C ... 100 °C (static)

# G-INS-M12-M68L-PEPDS-LG - Cable gland

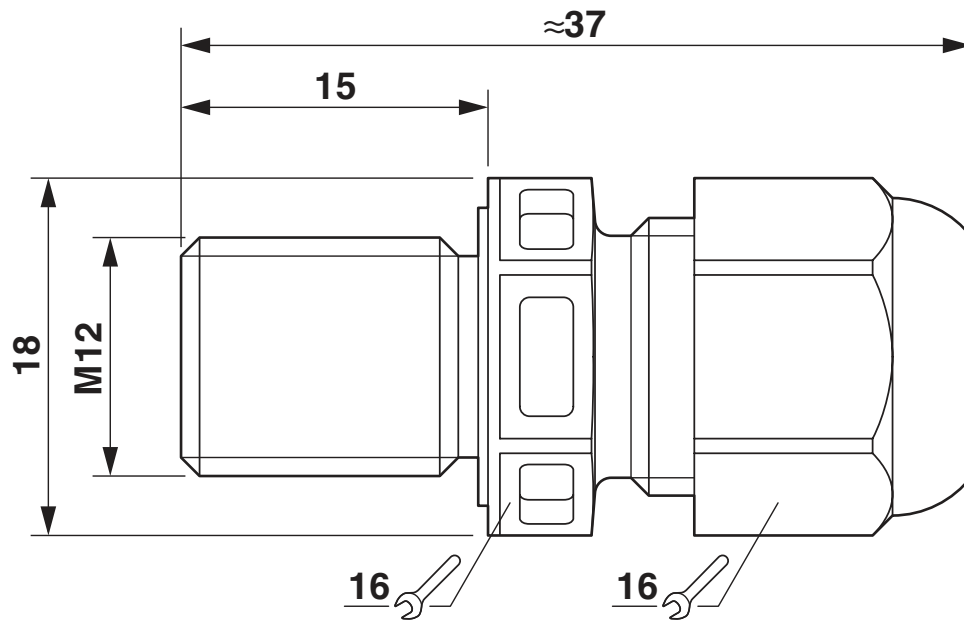


1424513

<https://www.phoenixcontact.com/us/products/1424513>

## Drawings

Dimensional drawing



# G-INS-M12-M68L-PEPDS-LG - Cable gland



1424513

<https://www.phoenixcontact.com/us/products/1424513>

## Approvals

To download certificates, visit the product detail page: <https://www.phoenixcontact.com/us/products/1424513>



**cUL Recognized**  
Approval ID: E179850



**UL Recognized**  
Approval ID: E179850

**cULus Recognized**

# G-INS-M12-M68L-PEPDS-LG - Cable gland



1424513

<https://www.phoenixcontact.com/us/products/1424513>

## Classifications

### ECLASS

ECLASS-11.0	27144432
ECLASS-12.0	27140801
ECLASS-13.0	27140801

### ETIM

ETIM 8.0	EC000441
----------	----------

### UNSPSC

UNSPSC 21.0	39121300
-------------	----------

# G-INS-M12-M68L-PEPDS-LG - Cable gland



1424513

<https://www.phoenixcontact.com/us/products/1424513>

## Environmental product compliance

China RoHS	Environmentally friendly use period: unlimited = EFUP-e
	No hazardous substances above threshold values

# G-INS-M12-M68L-PEPDS-LG - Cable gland



1424513

<https://www.phoenixcontact.com/us/products/1424513>

## Accessories

### A-INL-M12-P-LG - Counter nut

1417659

<https://www.phoenixcontact.com/us/products/1417659>

Counter nut, for threads M12 x 1.5, color: light grey



---

### SEALING PLUG 5X12 RD - Closing cap

1400253

<https://www.phoenixcontact.com/us/products/1400253>

Closing cap, color: red



---

Phoenix Contact 2023 © - all rights reserved

<https://www.phoenixcontact.com>

Phoenix Contact USA  
586 Fulling Mill Road  
Middletown, PA 17057, United States  
(+717) 944-1300  
[info@phoenixcon.com](mailto:info@phoenixcon.com)