

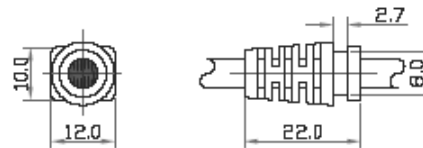
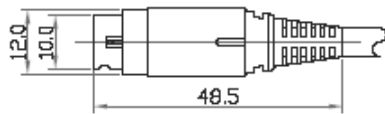
PROPRIETARY INFORMATION:
 PROPRIETARY OF GLOBTEK, INC. ANY REPRODUCTION, DISCLOSURE OR
 USE OF THIS DRAWING, IN WHOLE OR IN PART, IS HEREBY
 PROHIBITED EXCEPT AS SPECIFIED IN WRITING BY GLOBTEK,INC.

REVISION		DATE	APPROVED
REV	DESCRIPTION		
A	INITIAL RELEASE, RFS. 12781, EM	01/14/08	HM

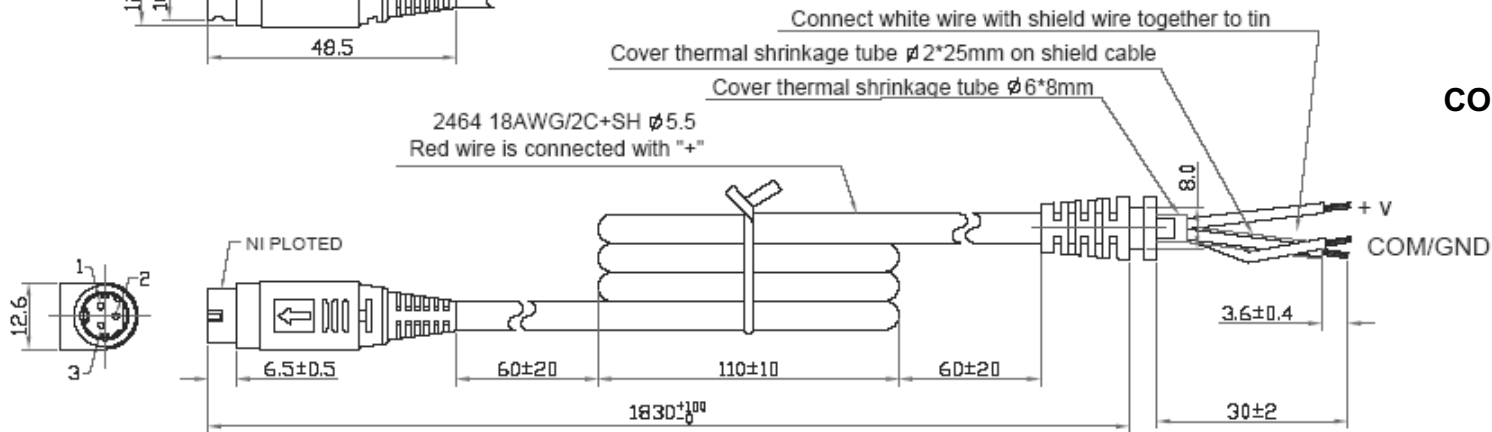
PIN1 is connected with "+" (red)
 PIN2,PIN3,Shell are connected with "-",Earth grounding(white,shield)
 Cover thermal shrinkage tube $\varnothing 2 \times 15\text{mm}$ on shield cable



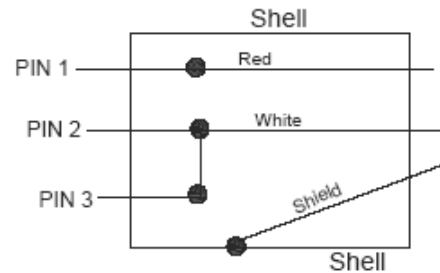
CON 1



CON 2



- NOTE:
- 1.Connecting method for polarity according to label indicating;
 - 2.SR MATERIAL: BK,PVC materials,hardness:60~70P;
 - 3.Materials conform to "ROHS" requirements;
 - 4.Forbid using those restriction of hazardous substances of DVE;
 - 5.Cords of finished goods need to pass 10A test;



RELEASED
 By N.Frost at 10:00 am, Jan 17, 2018

GENERAL SPECIFICATIONS:

CABLE TYPE / SIZE: UL 2464, 18 AWG, 2 CONDUCTORS+SHIELD
 CABLE JACKET COLOR: BLACK
 OVERALL LENGTH (L): 1830+100,-0 mm
 CONNECTOR 1: KYCON KPPX-3P SNAP AND LOCK or EQUIVALENT
 CONNECTOR 2: STRAIN RELIEF TO STRIPPED ENDS

DASH NO.	PART NO	REV.	DESCRIPTION	NOTES
TABULATION BLOCK				
		TOLERANCES: DECIMALS ANGULAR .xx +/- 0.1 +/- 1° .xxx +/- .005		GlobTek, Inc. www.globtek.com 186 Veterans Dr. Northvale, NJ 07647 Tel. 201-784-1000 Fax 201.784.0111
		MILLIMETERS ANGULAR .xx +/- 0.3 +/- 1° .xxx +/- .013		
INIT.BY: EM	DATE: 01/14/08	DWG TITLE: LOW VOLTAGE CORDSET		
DRAWN: NF	DATE: 01/14/08	FSCN No.: G, CC	SIZE A	MODEL: N / A
APRVD: HM	DATE: 01/14/08	SCALE: NONE	PART NO: KPPX3P24646FSR(R)	
				REV. A
				SHEET 1/1

Foot Note:
 Globtek Inc. will not be liable for the safety and performance of these power product if unauthorized access and repair occurs. End user should consult the applicable UL,CSA or EN Standards for proper installation instruction.

Limitation of Use:
 Globtek product are not authorized for use as mission critical components in life support, hazardous environment, nuclear or aircraft applications without prior written approval from the CEO of Globtek Inc.

Contents of this document are subject to change without prior notice