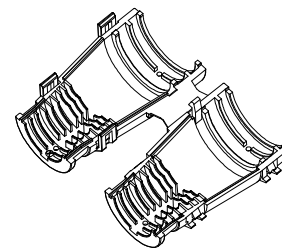
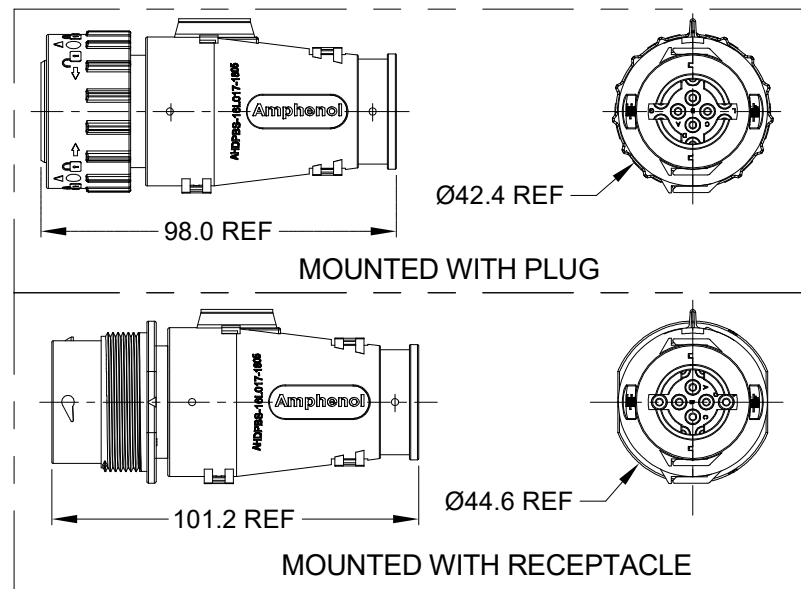
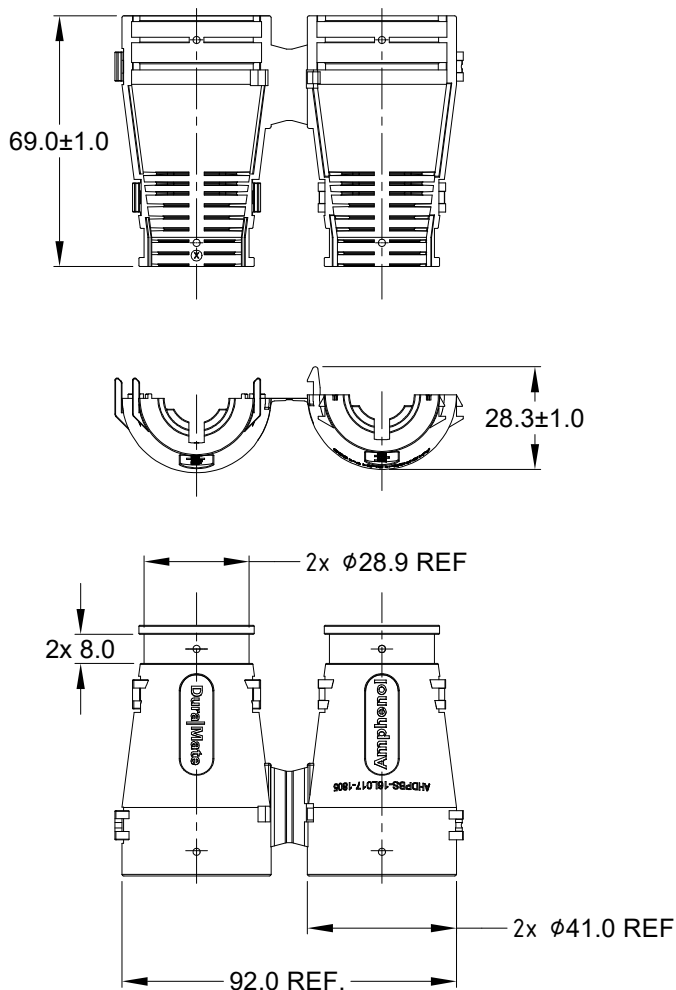


REVISIONS

REV	ECO	DESCRIPTION	DATE	BY	APPR
A1	-	FIRST ISSUE	08-MAR-22	MILO	TOMMY



NOTES: UNLESS OTHERWISE SPECIFIED

1. MATERIAL: THERMOPLASTIC,COLORS: BLACK
- 2.USE WITH AHDP02/04/06-18-\*P/S-BRA
- 3.CABLE EXIT DESIGNED FOR CORRUGATED TUBE NW 13,17 AND 19.
4. RoHS COMPLIANT
5. ALL DIMENSIONS ARE FOR REFERENCE USE ONLY.

QUANTITY	AHDPBS-16L017-1805	DESCRIPTION	ITEM
	PART NUMBER		
<b>MATERIALS LIST</b>			
UNLESS OTHERWISE SPECIFIED		SIGNATURES DATE	
1) All dimensions are in metric(mm).		DRAWN: MILO.DONG	08-MAR-22
2) Tolerances are as follows:		CHECKED: SULLENZHANG	09-MAR-22
1 PL DEC ±0.50		ENGINEER:	
2 PL DEC ±0.15		APPROVAL: TOMMY.XIE	10-MAR-22
3 PL DEC ±0.08		CUSTOMER:	
3) Note reference =		THIS DRAWING IS SUPPLIED FOR INFORMATION ONLY. DESIGN FEATURES, SPECIFICATIONS AND PERFORMANCE DATA SHOWN HEREON ARE THE PROPERTY OF THE AMPHENOL CORPORATION. NO RIGHTS OF REPRODUCTION ARE IMPLIED. ALL DIMENSIONS ARE SUBJECT TO NORMAL MANUFACTURING VARIATIONS.	
MATERIAL SPECIFICATIONS:		SIZE TYPE DWG NO. REVISION	
WEIGHT: 22.8g		A C- AHDPBS-16L017-1805 A1	
PROCESS SPECIFICATIONS:		SCALE: NONE DURAMATE SHEET 1 OF 1	
NEXT ASSY:			

**Amphenol**

Sine Systems - www.amphenol-sine.com  
44724 Morley Drive  
Clinton Township, MI 48036

BACK SHELL,COVER,STRAIGHT,AHDP SERIES,SIZE 18,BRA