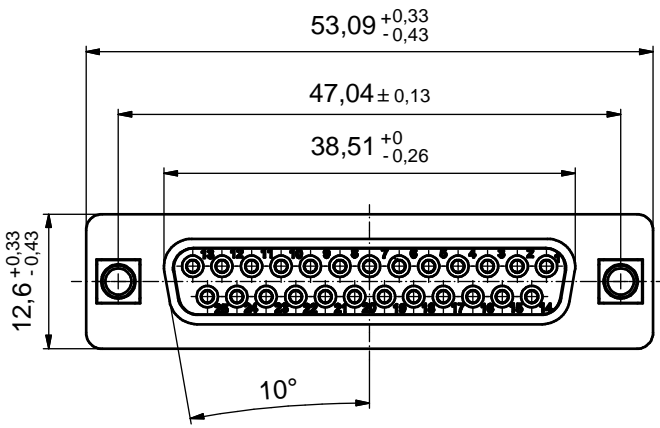
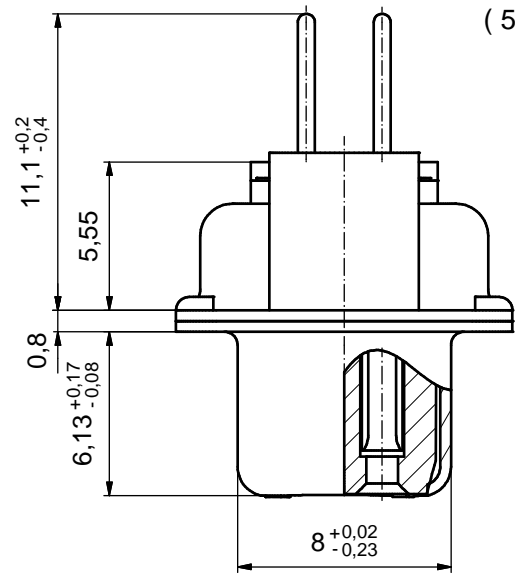


6 5 4 3 2 1

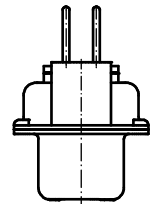
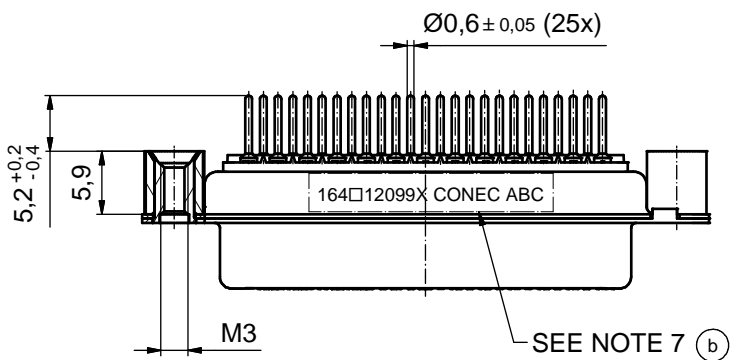
D



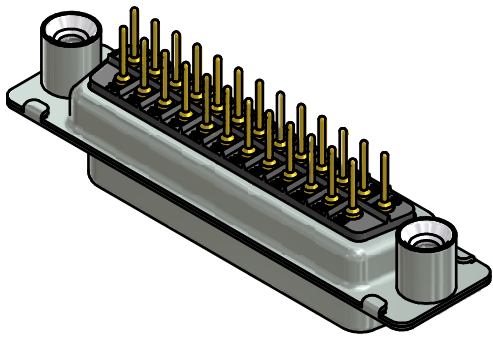
(5:1)



C



B



NOTES:

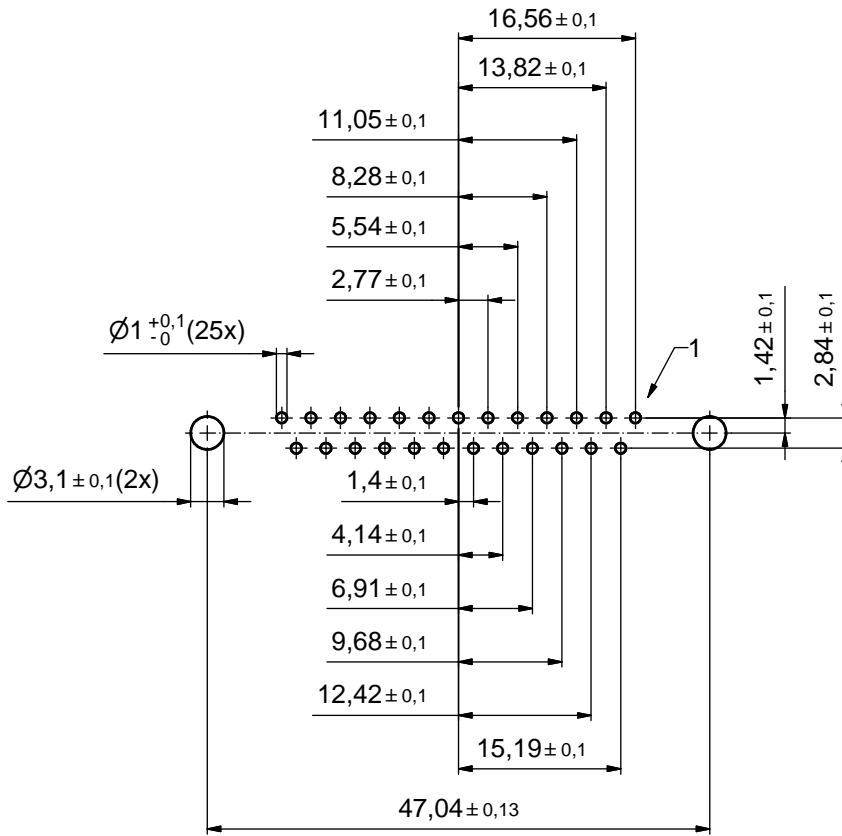
1. METALSHELLS: STEEL; min. 315µm TIN over 40-80µm NICKEL
2. INSULATORS: PBT GF UL 94 V-0, BLACK
- (b) 3. CONTACTS: COPPER ALLOY; PLATING (SEE PART NO.):
 - PLEASE ADD A for GOLD FLASH over NICKEL (PREFERRED TYPE)
 - PLEASE ADD B for 20µm HARD GOLD over min. 50µm NICKEL
 - PLEASE ADD C for 30µm HARD GOLD over min. 50µm NICKEL
4. THREADED REAR SPACERS: COPPER ALLOY; min. 200µm TIN over 80µm NICKEL
5. SLEEVES: COPPER ALLOY; min. 200µm TIN over 80µm NICKEL
6. MAXIMUM TORQUE VALUE FOR THREAD: 6 in.LB
7. CONNECTOR IS PART MARKED: 164□12099X CONEC ABC (see note 3)

A

Directive 2002/95/EC RoHS compliant

THIS DRAWING MAY NOT BE COPIED OR REPRODUCED IN ANY WAY, AND MAY NOT BE PASSED ON TO A THIRD PARTY WITHOUT WRITTEN PERMISSION. OWNERSHIP AND COPYRIGHT OF CONEC GmbH DO NOT ALTER CAD DRAWING BY HAND				tolerance		scale: 2:1 (5:1)
				date	name	material: see notes
				drawn	04.09.14	Unkrüer
				appd.	05.09.14	Lehmenkühler
				norm		
			d-old	16K1A1096		
			4 x b	Ä5332	04.09.2014	Unkrüer
			a	Original		
			rev.	description	date	name
						title: D-SUB FEMALE 25pos. SOLDER PIN STRAIGHT with threaded rear spacer
						dwg no: (b) 16K1A3515
						DIN-A3 sh: 1
						part no: (b) 164□12099X (see note 3)

6 5 4 3 2 1



P.C.B. HOLE DRILLINGS
(P.C.B. TOP SIDE)

THIS DRAWING MAY NOT BE COPIED OR REPRODUCED IN ANY WAY, AND MAY NOT BE PASSED ON TO A THIRD PARTY WITHOUT WRITTEN PERMISSION. OWNERSHIP AND COPYRIGHT OF CONEC GmbH DO NOT ALTER CAD DRAWING BY HAND				tolerance		scale: 2:1
				date	name	material: see sheet 1
				drawn	04.09.14	Unkrüer
				appd.	05.09.14	Lehmenkühler
				norm		
				d-old		
				title: P.C.B. HOLE DRILLINGS		
				D-SUB FEMALE 25pos. SOLDER PIN STRAIGHT with threaded rear spacer		
				dwg no: 16K1A3515		
				part no: SEE SHEET 1		
			DIN-A3 sh: 2			

