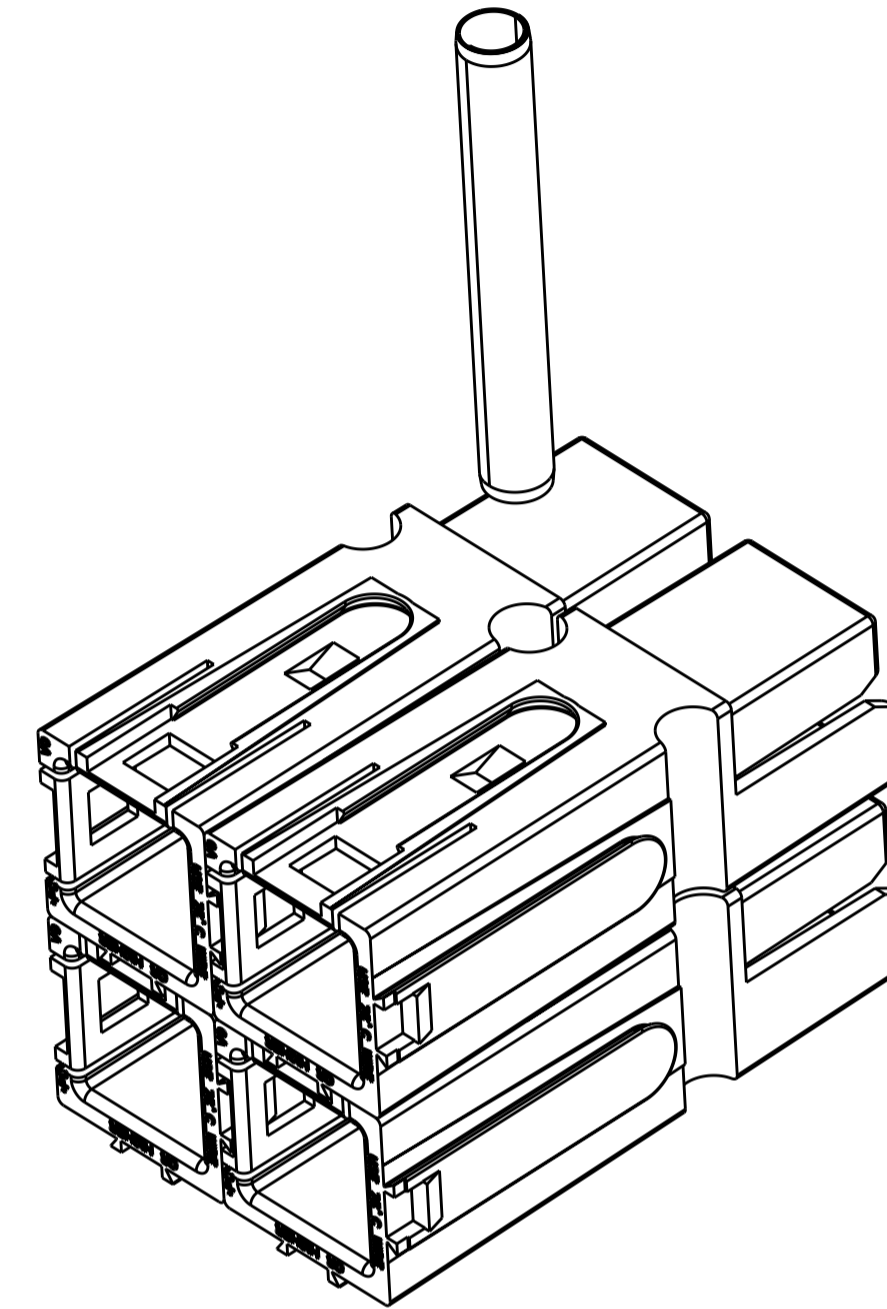
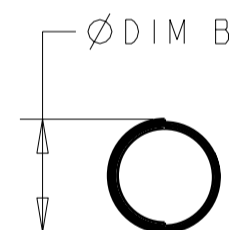
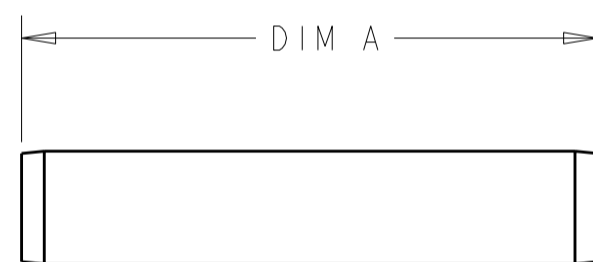
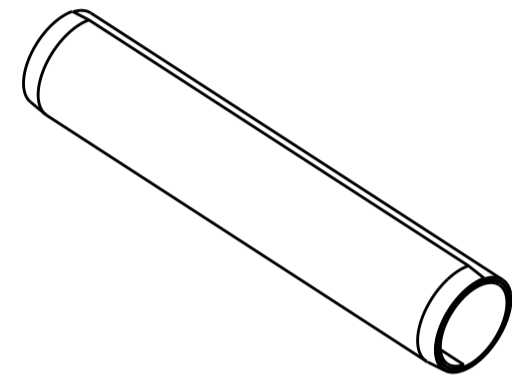


THIS DRAWING IS UNPUBLISHED.      RELEASED FOR PUBLICATION      20  
 © COPYRIGHT 20      BY      ALL RIGHTS RESERVED.

LOC	DIST	REVISIONS			
P	LTR	DESCRIPTION	DATE	DWN	APVD
CM	00				
P		REVISED PER ECO-11-005140	23MAR2011	RK	HMR



TYPICAL USES

⚠ OBSOLETE PARTS: OBSOLETE CIS STREAMLINING PER D.RENAUD/D.SINISI

⚠ OBSOLETE

2.36-2.51	21.59	1445886-6
2.51-2.69	11.18	1445886-5
2.49-2.62	6.35	1445886-4
5-5.25	38.10	1445886-3
5-5.25	25.40	1445886-2
5-5.25	14.22	1445886-1
Ø DIM B	DIM A	PART NUMBER

**METRIC**

THIS DRAWING IS A CONTROLLED DOCUMENT.		DWN	BH	15OCT01	 TE Connectivity
DIMENSIONS:		CHK	KAK	15OCT01	
mm	TOLERANCES UNLESS OTHERWISE SPECIFIED:	APVD	KAK	15OCT01	
 0 PLC ±- 1 PLC ±- 2 PLC ±0.13 3 PLC ±- 4 PLC ±- ANGLES ±- FINISH	PRODUCT SPEC - APPLICATION SPEC - WEIGHT -	NAME		RETAINER PIN, POWER PRODUCT	
MATERIAL	302 STAINLESS STEEL	FINISH	PASSIVATED	SCALE	3:1
CUSTOMER DRAWING		SIZE	A2	CAGE CODE	00779
		DRAWING NO	C=1445886		RESTRICTED TO
		SHEET		OF	REV
					P