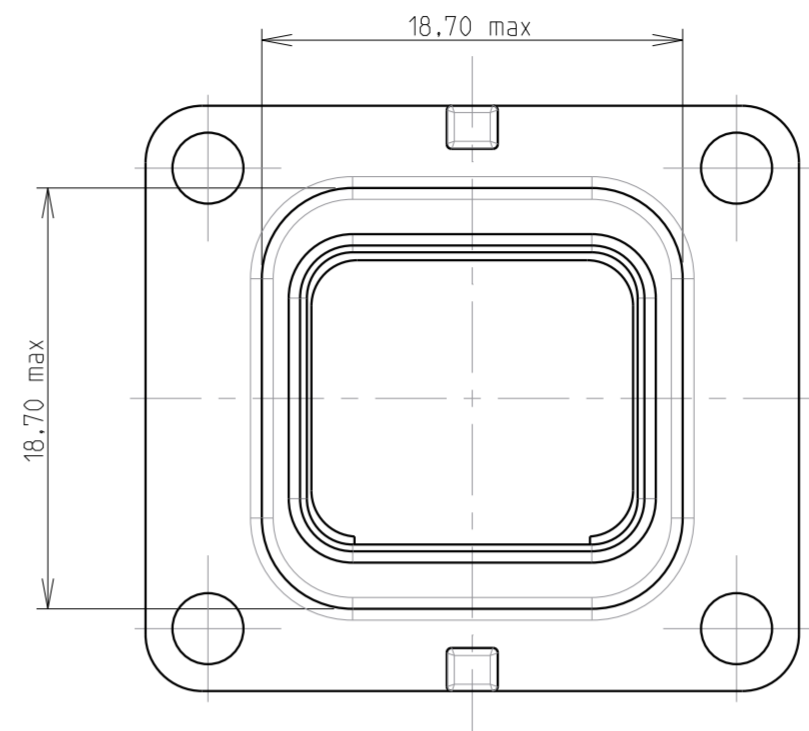
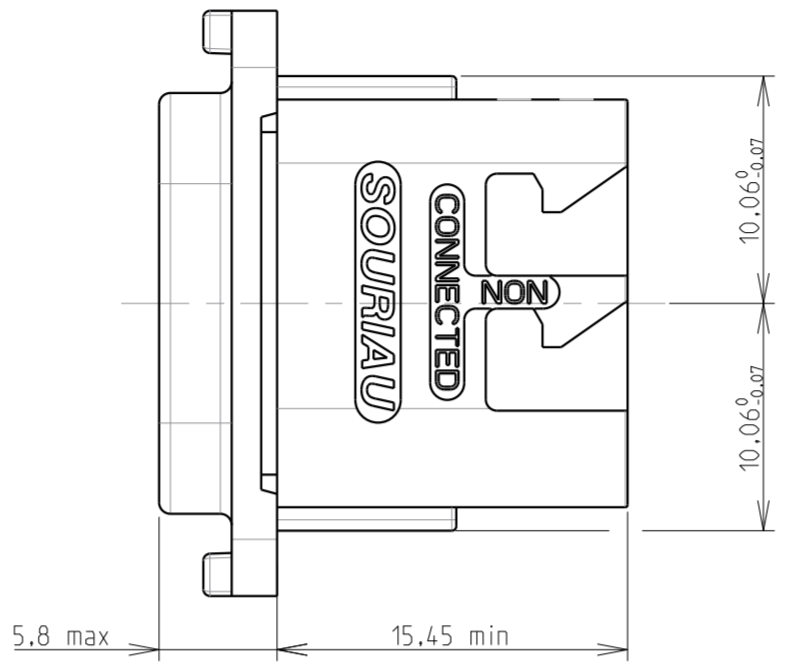
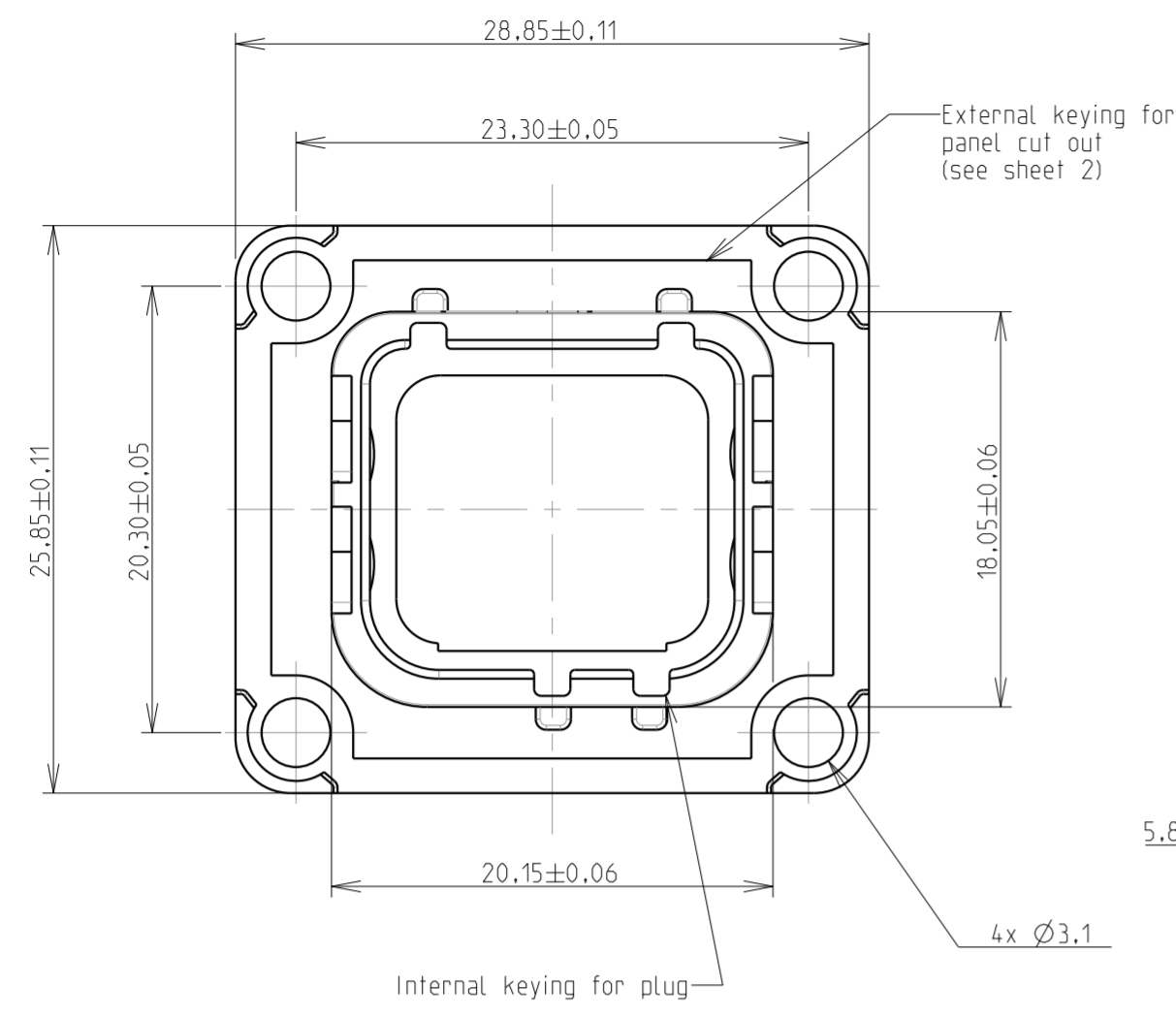


C.3: Validé

Shell are compliant for use with modules polarization N, A, B, C, D

Technical Characteristics

- Material & finishes**
- Shell : Composite nickel plated
 - Keying colour coding plate : Composite
 - Sealing gasket : Silicone elastomer
 - Nut plate : Stainless steel
- Electrical**
- Housing (shell) electrical continuity : < 3mΩ
 - Shielding effectiveness : > 50dB attenuation from 100 to 1 000 MHz
- Climatic**
- Operating temperature range : -55°C to +175°C
 - Salt spray (corrosion) : 500 hrs
- Mechanical**
- Compliant EN4165 - BACC65 - ARINC 809
 - Mating/Unmating: 500 operations
 - Delivered with protective cap
- Environmental**
- RoHS and REACH compliant
 - Fluid resistance : See standard EN 4165-001 (table 40)



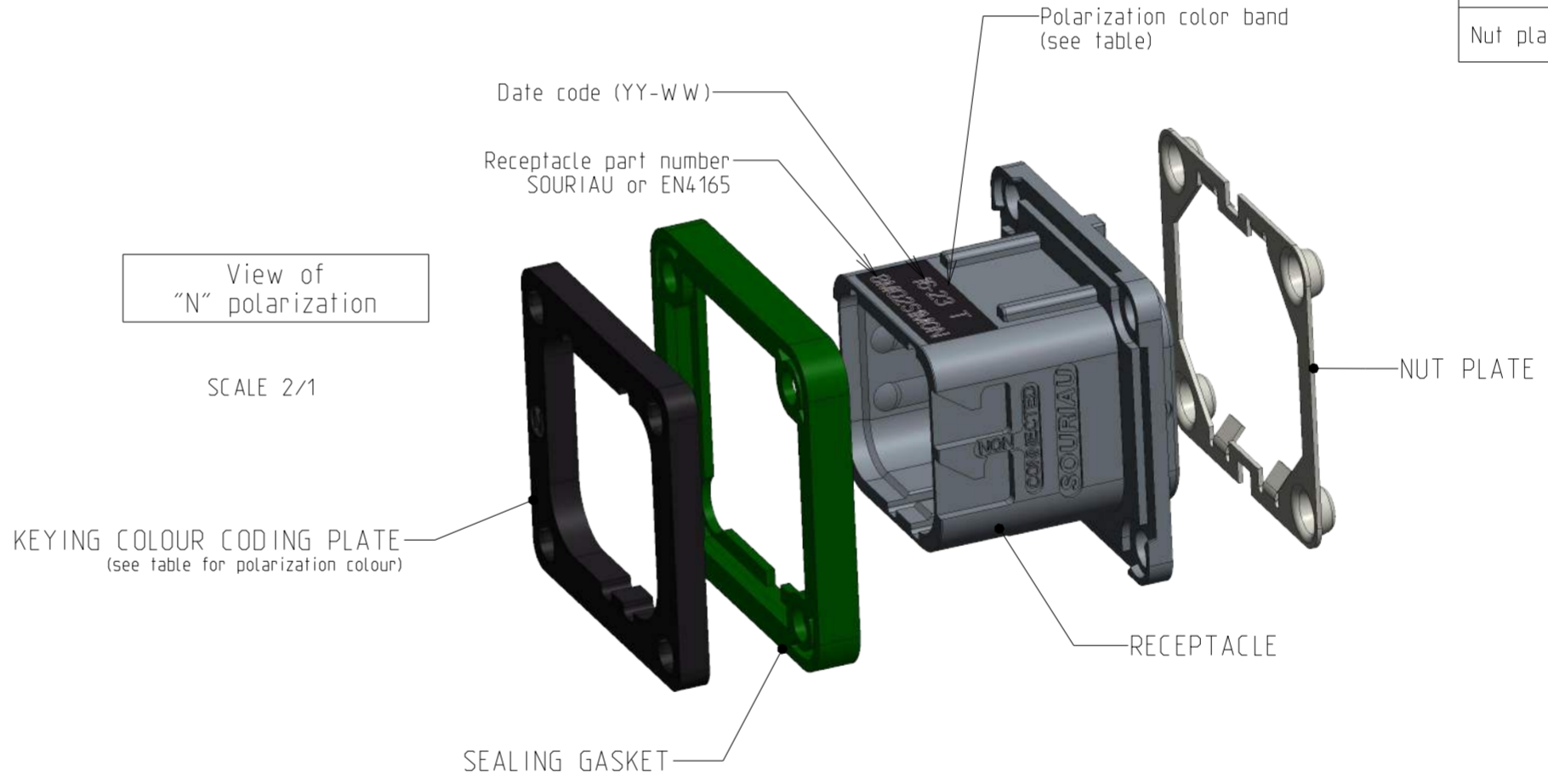
Part	MASS (g)
Receptacle	6.0 maxi
Keying colour coding plate	1.2 maxi
Sealing gasket	0.8 maxi
Nut plate	1.0 maxi

EN4165 PART NUMBER TABLE	
Marking on receptacle	Only for ordering
Range :	EN4165 M 0 1 A N 0 U 0
Plating :	M - Composite nickel plated
Shell Type :	0 - Short receptacle
Module Quantity :	1 - Mono module
Serie :	2 - Serie 2
Polarization :	N, A, B, C, D, E, F, G
Option for coding color plate	0 : Delivered without keying colour coding plate 1 : Delivered with keying colour coding plate
Option for sealing gasket	U : Delivered without sealing gasket G : Delivered with sealing gasket
Option for nut plate	0 : Delivered without nut plate 1 : Delivered with nut plate

SOURIAU PART NUMBER TABLE	
Marking on receptacle	Only for ordering
Range :	8MQ 2 S 1 M 0 N 0 U 0
Serie :	2 - Serie 2
Type of component :	S - Shell
Module Quantity :	1 - Mono module
Plating :	M - Composite nickel plated
Shell Type :	0 - Short receptacle
Polarization :	N, A, B, C, D, E, F, G
Option for coding color plate	0 : Delivered without keying colour coding plate 1 : Delivered with keying colour coding plate
Option for sealing gasket	U : Delivered without sealing gasket G : Delivered with sealing gasket
Option for nut plate	0 : Delivered without nut plate 1 : Delivered with nut plate

View of "N" polarization

SCALE 2/1



	POLARIZATION	Colour
Polarization colour table	N	Black
	A	Red
	B	Blue
	C	Green
	D	Yellow
	E	Pink
	F	Light Green
G	Grey	

P/N : SEE PART NUMBER TABLE

C	21/05/19	drawing update for EN4165 creation receptacle	24230AB
ISS	DATE	Latest modification - by: E.FOREST	MOD N°
Designed by: N.AUFFRET		Date:07/09/16	CUSTOMER DRAWING
TITLE		RECEPTACLE 8MQ TYPE 0 BASIC SERIE 8MQ - Based on EN4165/BACC65BV/ARINC 809	
Scale	3/1	Dimensions in mm General Linear Tolerances: ±	NPRDS / PROJECT BE133702A
SOURIAU Connection Technologies		www.souriau.com	This document is the property of SOURIAU It must not be reproduced or communicated without permission

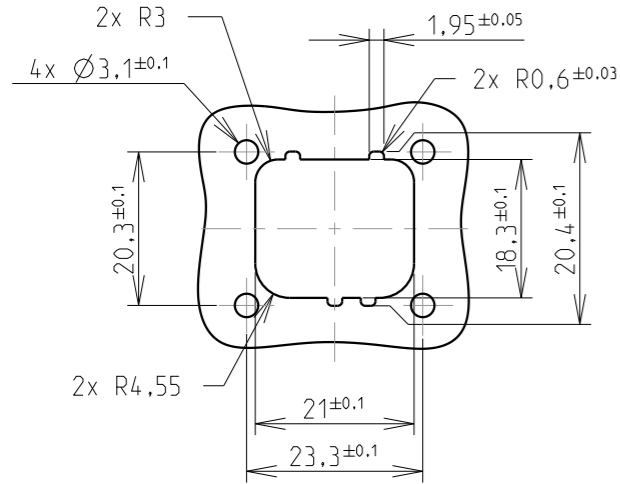
Country	Jurisdiction & Control List
FR	NOT LISTED

SOURIAU shall not be liable for any non-conformity or damage due to a use of the Products which does not comply with the Specifications issued by either of the Parties or by a third party (professional recommendation, technical notice.)

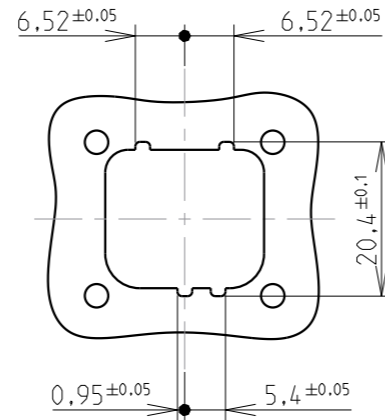
FORMAT	A2	SOURIAU DRG N° C002-8MQ-A	SHEET 1 / 2
--------	----	------------------------------	----------------

PANEL CUT-OUT

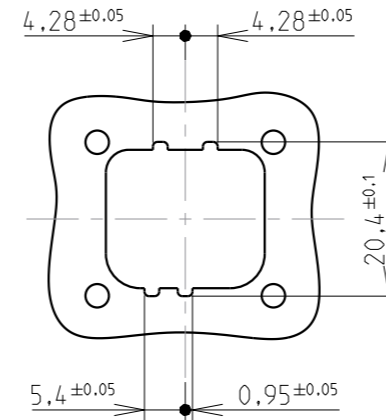
Panel cut out general dimensions



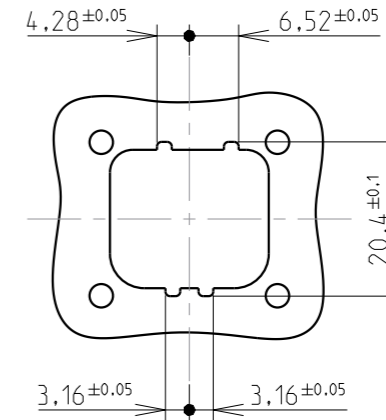
Polarization N



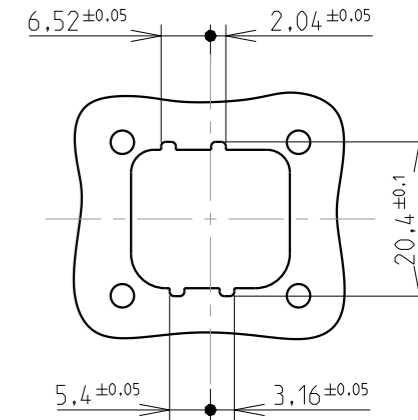
Polarization A



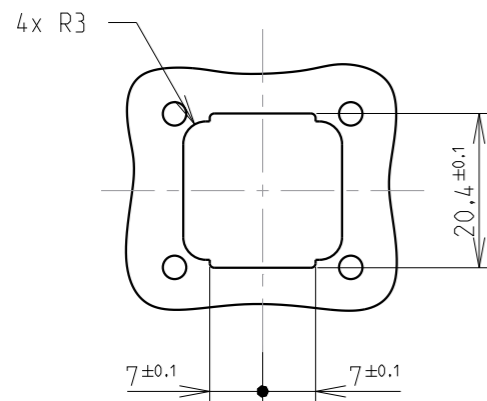
Polarization B



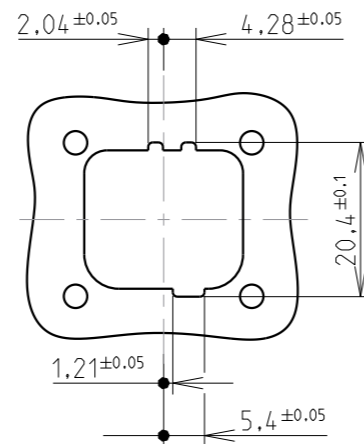
Polarization C



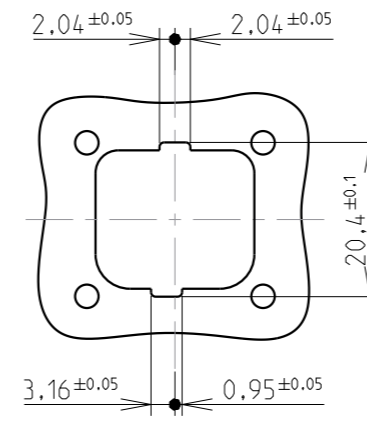
Free mounting cut out dimensions



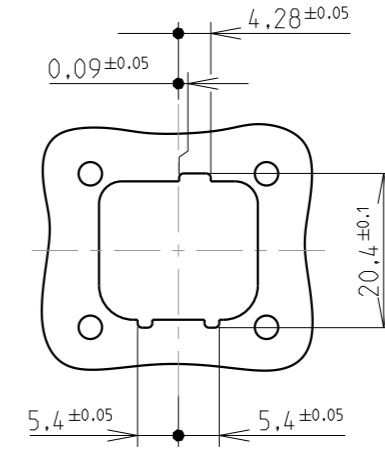
Polarization D



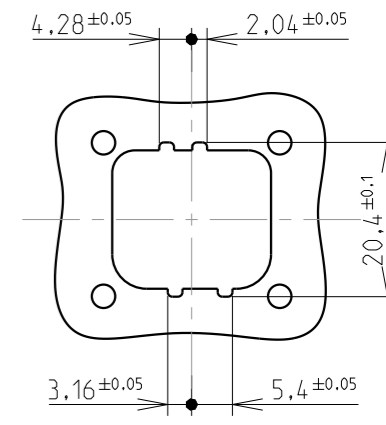
Polarization E



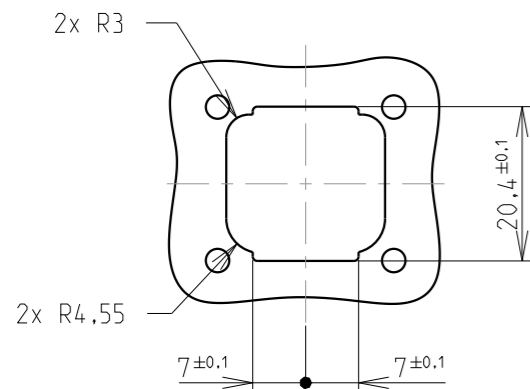
Polarization F



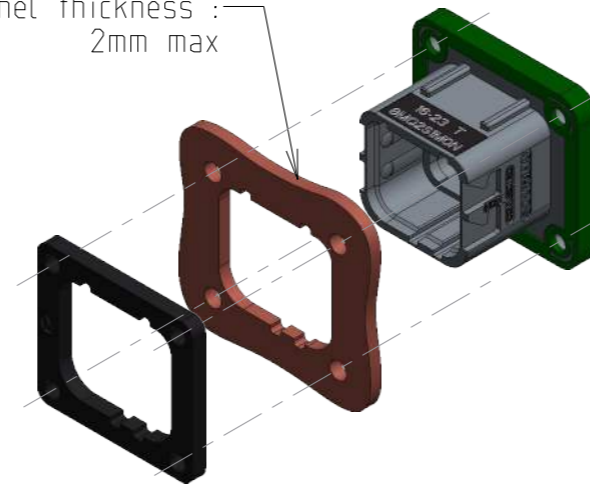
Polarization G



Oriented panel cut out dimensions



Panel thickness :
2mm max



P/N : SEE PART NUMBER TABLE

ISS	DATE	drawing update for EN4165 creation receptacle Add marking and codification EN4165 version	24230AB
ISS	DATE	Latest modification - by: E.FOREST	MOD N°
Designed by: N.AUFFRET		Date:07/09/16	CUSTOMER DRAWING
TITLE		RECEPTACLE 8MQ TYPE 0 BASIC SERIE 8MQ - Based on EN4165/BACC65BV/ARINC 809	
Scale	1/1	General Linear Tolerances: ± 0.1	NPRDS / PROJECT BE133702A
		WWW.SOURIAU.COM This document is the property of SOURIAU It must not be reproduced or communicated without permission	
FORMAT	A3	SOURIAU DRG N° C002-8MQ-A	SHEET 2 / 2

Country	Jurisdiction & Control List
FR	NOT LISTED

SOURIAU shall not be liable for any non-conformity or damage due to a use of the Products which does not comply with the Specifications issued by either of the Parties or by a third party (professional recommendation, technical notice.)

C.3: Validé