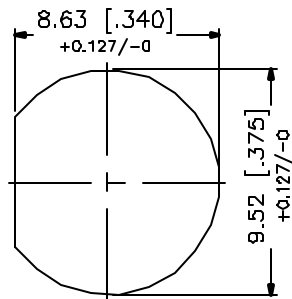
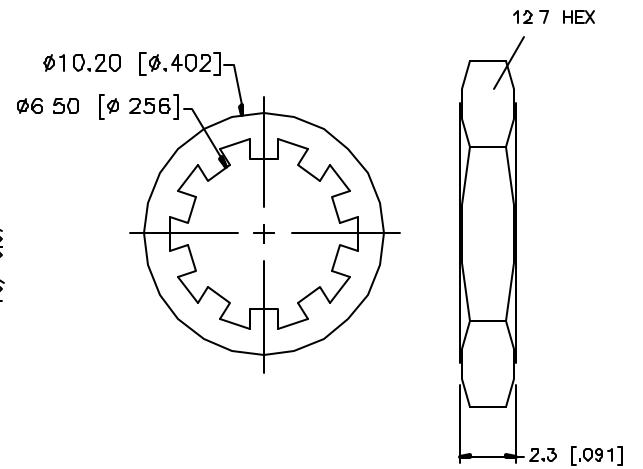
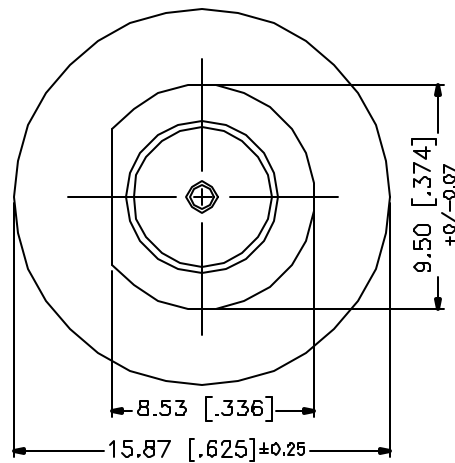
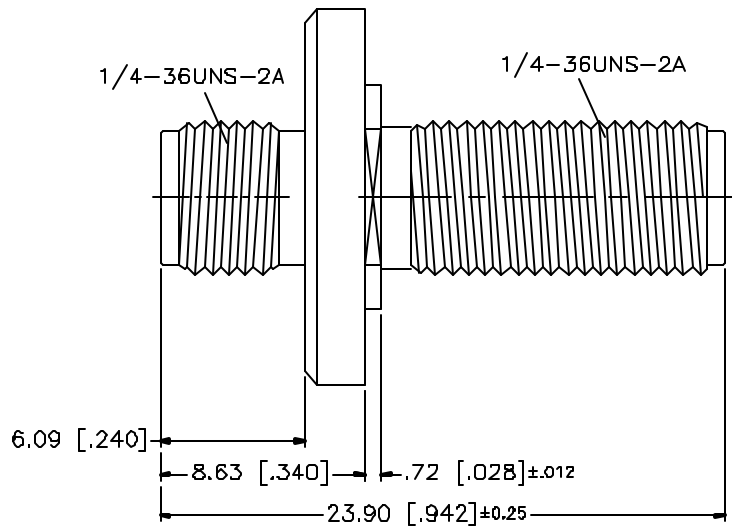


REV.	DATE	DESCRIPTION
NC	11/11/01	INITIAL RELEASE




RECOMMENDED
MOUNTING HOLE



NOTES:

1 MAX PANEL THICKNESS = 5mm

DESCRIPTION	MATERIAL	FINISH	UNLESS OTHERWISE SPECIFIED DIMENSIONS ARE IN MILLIMETERS	APPROVALS	DATE				
1 BODY	BRASS	GOLD	UNLESS OTHERWISE SPECIFIED DIMENSIONS IN [] ARE IN INCHES FOR CUSTOMER REFERENCE ONLY UNLESS OTHERWISE SPECIFIED TOLERANCES FOR MILLIMETERS ARE 0.5-6 = ± 0.2 6-30 = ± 0.4 30-120 = ± 0.6 120-315 = ± 1 315-1000 = ± 1.8 1000-2000 = ± 2.4	DRAWN G.R.S.	11/11/01	TITLE SMA BULKHEAD FEMALE TO FEMALE ADAPTOR			
2 INSULATOR	TEFLON	NATURAL		CHECKED		SIZE A	FSCM NO. 99001	DWG. NO. 132170-11.DWG	REV. NC
3 CONTACT PIN	BER. COPPER	GOLD		ISSUED		SCALE NA	PART NO. 132170-11	SHEET 1 OF 1	
4 LOCK WASHER	BRASS	GOLD							
5 HEX NUT	BRASS	GOLD							
6									
7									
8				DO NOT SCALE DRAWING					