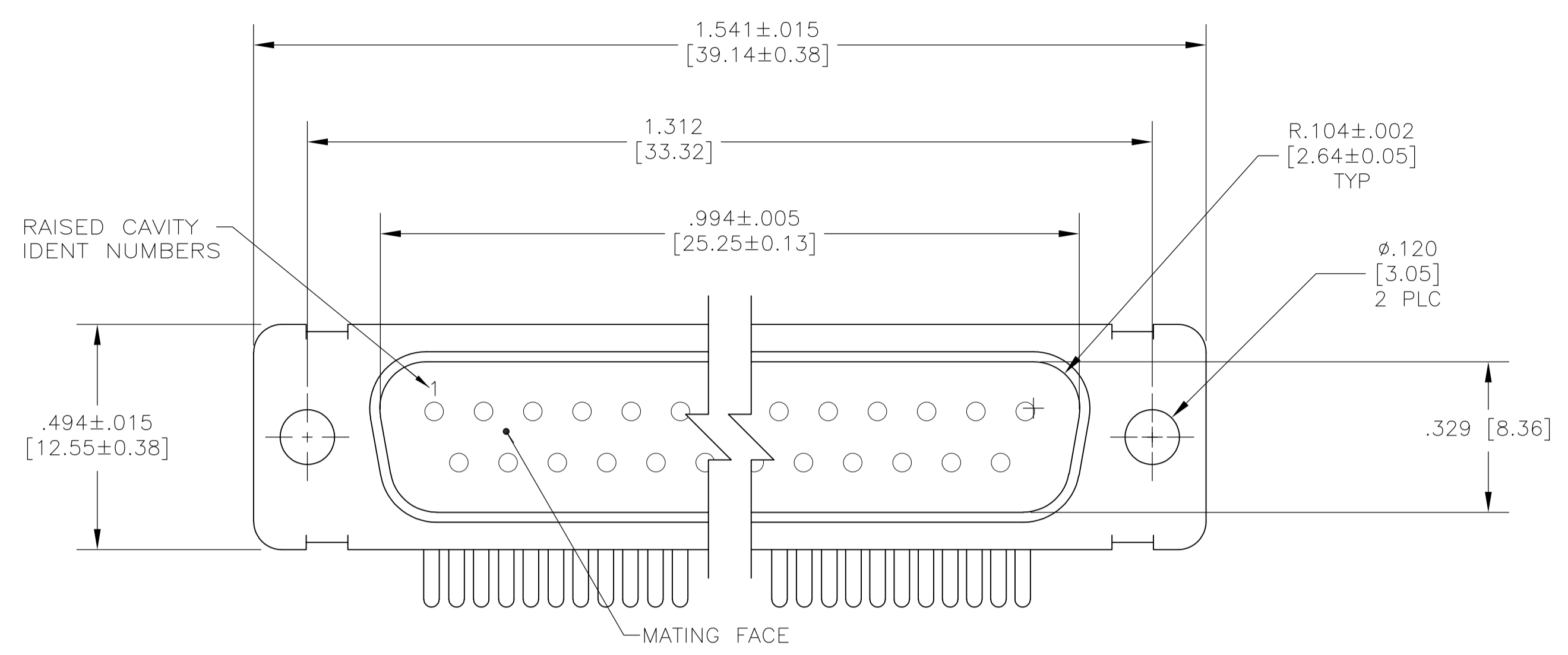
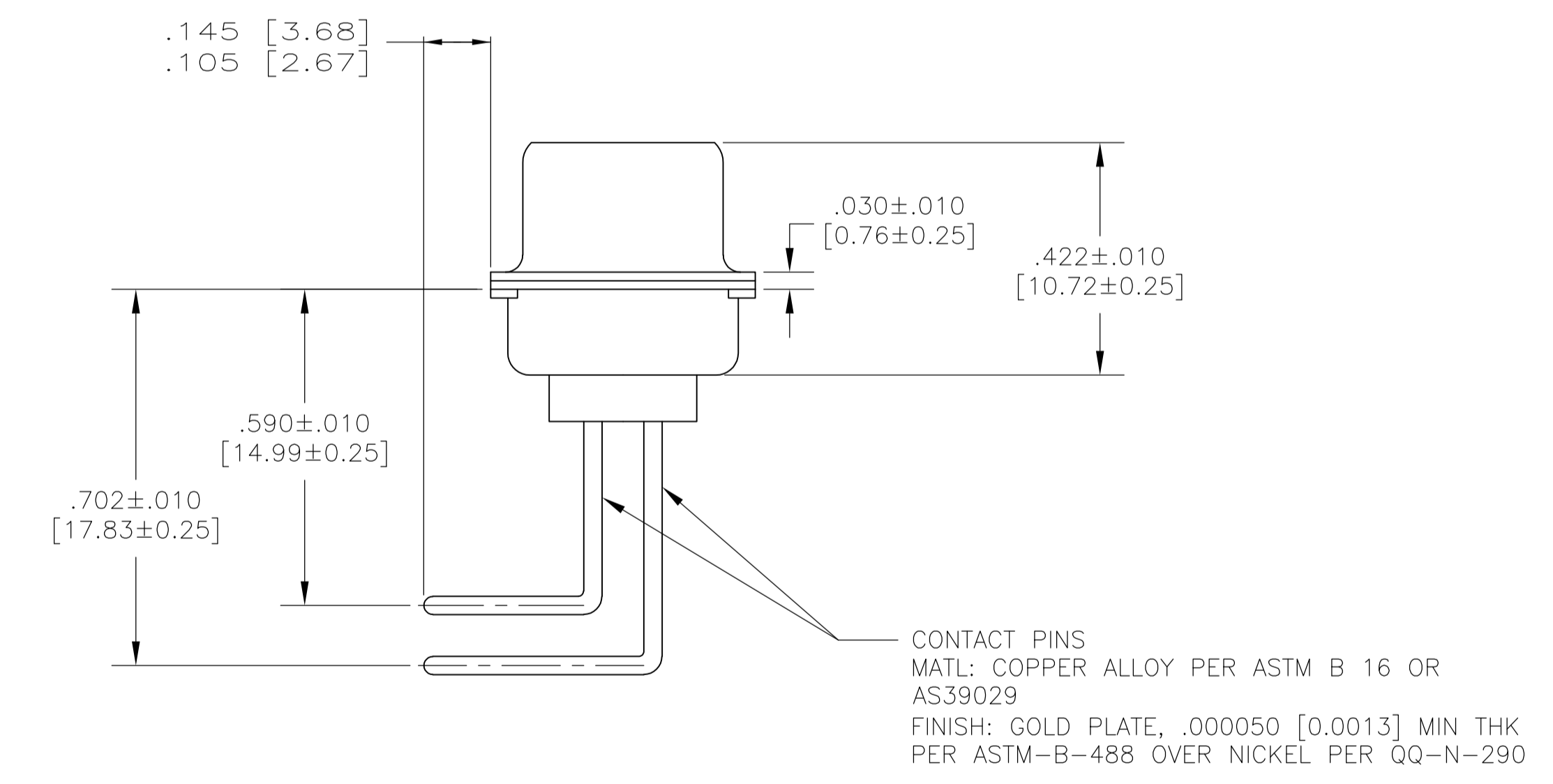
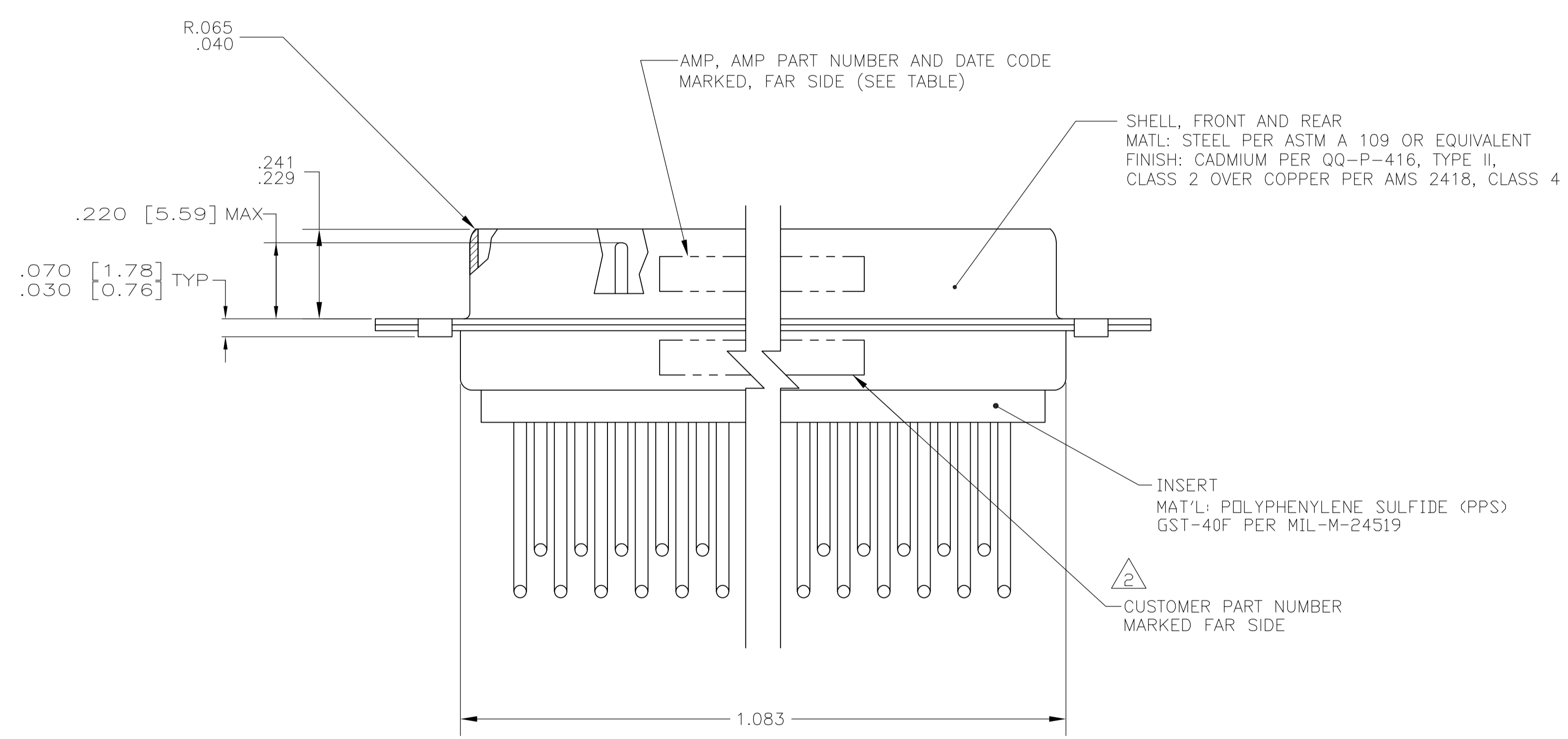


LOC		DIST		REVISIONS			
P	LTR	DESCRIPTION	DATE	DNW	APVD		
B		REV PER ECO 15-015338	10-30-15	CT	CT		



- THE CONNECTORS DESCRIBED IN THIS DOCUMENT MEET THE REQUIREMENTS OF MIL-C-24308 AND MATE WITH ANY RECEPTACLE CONNECTOR WITH SAME INSERT ARRANGEMENT
- △₂ MARKED .047-.062 HIGH CHARS. FAR SIDE REFERS TO THE WIDE SIDE OF THE KEYSTONE. NEAR SIDE REFERS TO THE NARROW SIDE OF THE KEYSTONE. IF THE REAR SHELL IS TOO SMALL FOR THE ENTIRE CUSTOMER PART NUMBER, MARKING SHALL BE LOCATED AS FOLLOWS:
- AMP PART NUMBER ON REAR SHELL, NEAR SIDE
 - "AMP" AND DATE CODE ON FRONT SHELL, NEAR SIDE
 - CUSTOMER PART NUMBER ON REAR SHELL, FAR SIDE



016131-002	593321-1	593321-1
MARK CUSTOMER PART NO	MARK AMP PART NO	PART NO.

THIS DRAWING IS A CONTROLLED DOCUMENT.

DIMENSIONS: INCHES	TOLERANCES UNLESS OTHERWISE SPECIFIED:	DIN P. YEAGER 24APR07	APVD D. MILLER 25APR07	NAME
0 PLC ± -	1 PLC ± -	2 PLC ± .01	3 PLC ± .005	4 PLC ANGLES ± - ± -
MATERIAL SEE CALLOUTS	FINISH SEE CALLOUTS	WEIGHT	SIZE CAGE CODE DRAWING NO	RESTRICTED TO
			A1 00779 C=593321	

CUSTOMER DRAWING SCALE 4:1 SHEET 1 OF 1 REV B

STE TE Connectivity

ASSEMBLY, AMPLIMITE, PLUG, RIGHT ANGLE, SERIES 109