

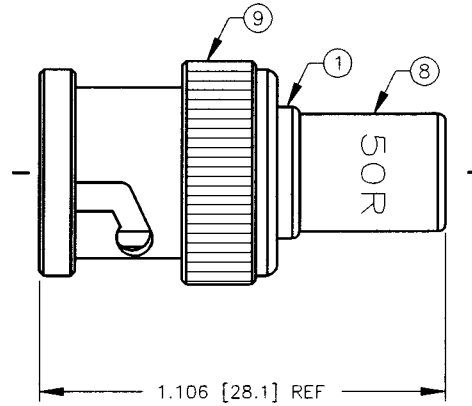
# ENVELOPE / ASSEMBLY DRAWING

008974

SPECIFICATION CONTROL DRAWING	REV	DESCRIPTION	DWN	DATE	APPROVED
	A	ENGINEERING RELEASE	CZS	7/23/98	R. RICE

THIS DRAWING CONTAINS INFORMATION PROPRIETARY TO RF INDUSTRIES, LTD. ANY UNAUTHORIZED USE OF THIS DRAWING IS EXPRESSLY PROHIBITED. ANY VIOLATION IS PUNISHABLE UNDER U.S. COPYRIGHT LAWS.

ALL DIMENSIONS ARE REFERENCE ONLY



## SPECIFICATIONS:

FREQUENCY RANGE: 0-1 GHz

ITEM	DESCRIPTION	QTY	MATERIAL	FINISH
10	RESISTOR	1	50R	NONE
9	SHELL	1	BRASS	NICKEL
8	CAP	1	BRASS	NICKEL
7	WASHER	1	BRASS	NICKEL
6	SPRING	1	SK5	NICKEL
5	RETAINING RING	1	BRASS	NICKEL
4	GASKET	1	S.I. RUBBER	RED
3	DIELECTRIC	1	DELTRIN	NONE
2	PIN	1	BRASS	GOLD
1	BODY	1	BRASS	NICKEL

DIMENSIONS ARE IN INCHES AND [MILLIMETERS]

UNLESS OTHERWISE NOTED TOLERANCES ARE:

DECIMALS DIAMETER

DRAWN	C. ZUNIGA	7/23/98
CHECKED	<i>[Signature]</i>	7/23/98
OR DRAWN	C. ZUNIGA	7/23/98
APPROVALS	DATE	

**RFconnectors**  
DIVISION OF RF INDUSTRIES, LTD.

7610 MIRAMAR RD  
SAN DIEGO, CA 92126  
(619)549-6340  
(619)549-6345 FAX

## RFB-1150

BNC MALE TERMINATOR W/ 50 OHM RESISTOR, 1/2 WATT

SIZE	CABLE GROUP	DWG NO.	REV
A	N/A	8941	A
SCALE:	2:1	CAD FILE	13ARC B
		SHEET 1 OF 1	