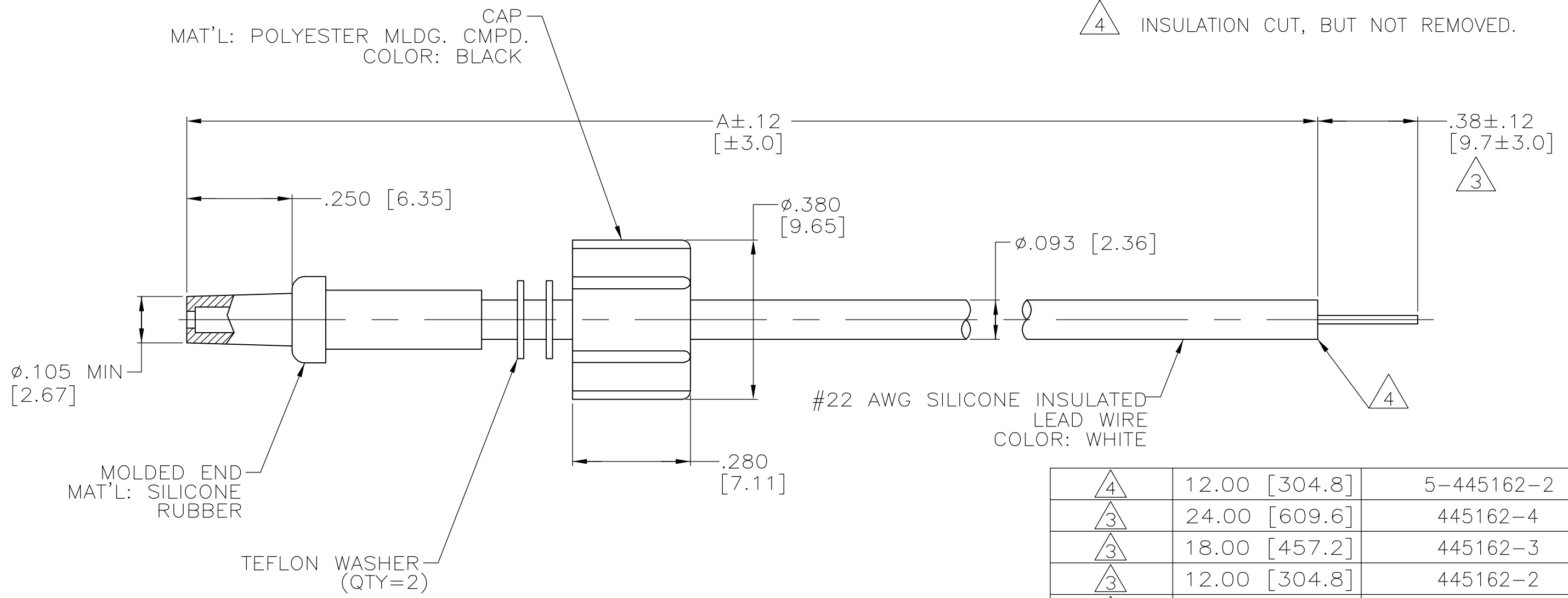


THIS DRAWING IS UNPUBLISHED. RELEASED FOR PUBLICATION - ,N/A .
 © COPYRIGHT N/A BY TYCO ELECTRONICS CORPORATION. ALL RIGHTS RESERVED.

LOC	DIST	REVISIONS			
P	LTR	DESCRIPTION	DATE	DWN	APVD
DF	SO	B	REV PER ECO-05-002595	07-05	AA DE

1. MARKED PER MIL-STD-130.
 2. TO MATE WITH AMP LGH-1/4 RECEPTACLE WITH A .250 [6.35] BARREL DEPTH.
- △3 PIGTAIL IS SOLDER DIPPED.
 △4 INSULATION CUT, BUT NOT REMOVED.



REMARKS	DIM A	PART NUMBER
△4	12.00 [304.8]	5-445162-2
△3	24.00 [609.6]	445162-4
△3	18.00 [457.2]	445162-3
△3	12.00 [304.8]	445162-2
△3	6.00 [152.4]	445162-1

THIS DRAWING IS A CONTROLLED DOCUMENT.		DWN C.C.THOMAS 16-JUN-97	Tyco Electronics Corporation Harrisburg, Pa 17105-3608	
DIMENSIONS: INCHES		CHK S.GLATFELTER 07-JUL-97		
TOLERANCES UNLESS OTHERWISE SPECIFIED:		APVD S.GLATFELTER 07-JUL-97	NAME LEAD ASSY SGL END LGH-1/4	
0 PLC ± - 1 PLC ± - 2 PLC ± - 3 PLC ± .005 [0.13] 4 PLC ± - ANGLES ± -		PRODUCT SPEC -	RESTRICTED TO -	
MATERIAL -		FINISH -	APPLICATION SPEC -	SIZE A3
		WEIGHT -	CAGE CODE 00779	DRAWING NO C-445162
CUSTOMER DRAWING			SCALE 4:1	SHEET 1 OF 1
			REV B	