

PART NUMBER LEGEND

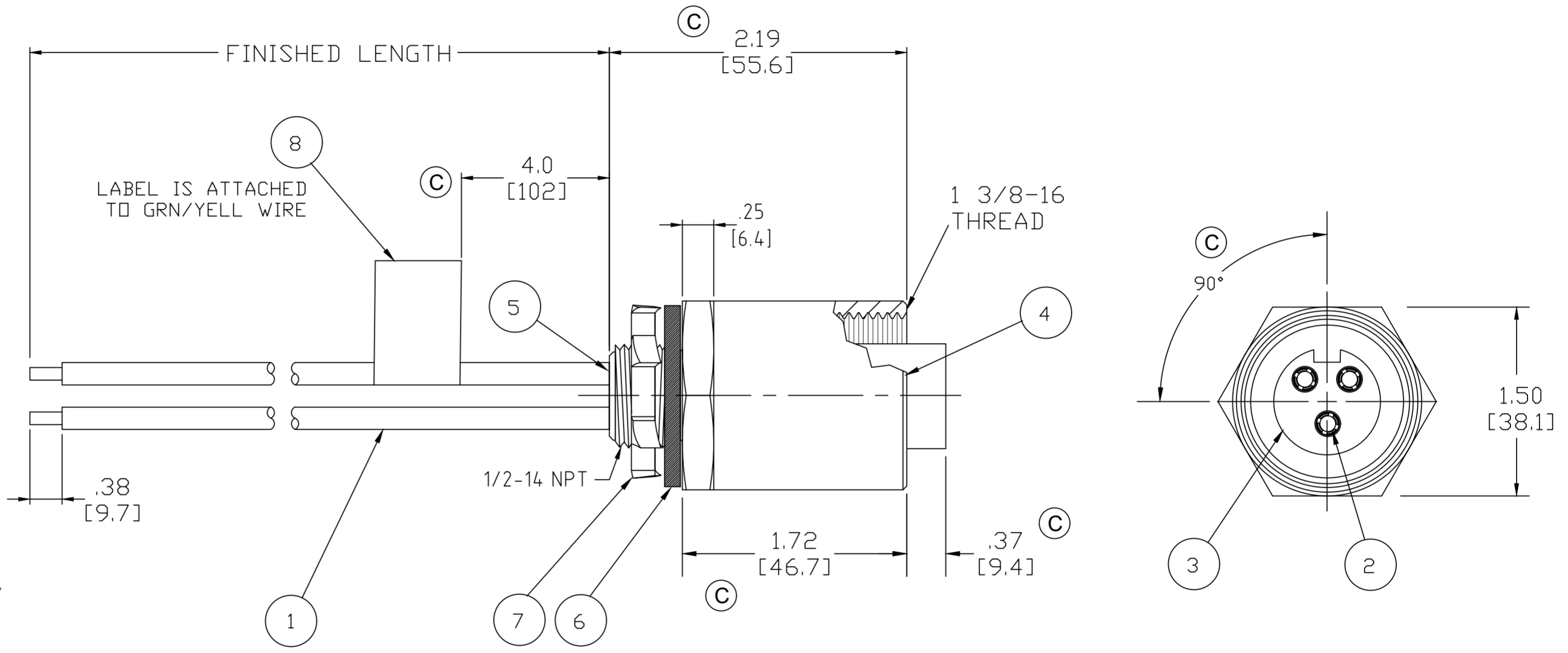
CR3000A29A120

POLE COUNT: ↑ FINISHED LENGTH: ↑

A120= 12 INCH
 M005= 0.5 METER
 M010= 1 METER
 M100= 10 METER

CABLE LENGTH TOLERANCES

>.3M [1FT]:	+19mm-0 [+ .75in-0]
.3 - .9M [1 - 3FT]:	+44.5mm-0 [+1.75in-0]
.9 - 1.8M [3 - 6FT]:	+55.6mm-0 [+2.19in-0]
1.8 - 3.7M [6 - 12FT]:	+88.9mm-0 [+3.50in-0]
3.7 - 7.3M [12 - 24FT]:	+165.1mm-0 [+6.50in-0]
7.3-14.6M [24 - 48FT]:	+317.5mm-0 [+12.50in-0]
14.6 - 30.5M [48-100FT]:	+622.3mm-0 [+24.50in-0]
OVER 30M [100FT]	+2% OF FINISHED LENGTH



- C NOTES:
1. MATERIAL: AS NOTED
 2. FINISH: AS NOTED
 3. ELECTRICAL:
 VOLTAGE PER IEC 60664: 3P 630V, 4P 500V
 600V PER UL 2237
 CURRENT: 3P & 4P 20A
 4. TEMP RATING: -20°C TO +90°C
 5. PROTECTION: IP67 (WHEN MATED)
 6. COUPLING THREAD: AS NOTED
 7. UL LISTED FILE: PENDING
 8. ALL DIMS ARE FOR REFERENCE UNLESS TOLERANCED OR NOTED OTHERWISE

PART NUMBER	ENGINEERING NUMBER	LENGTH
1300660108	CR3000A29A120	12IN [0.3M]
1300660148	CR4000A29M003	1FT [0.3M]
1300660209	CR3000A29M020	6FT 7IN [2M]

8	FLAG LABEL	VINYL	YELLOW
7	LOCKNUT	STEEL	ZINC PLATE
6	GASKET	NEOPRENE	BLACK
5	POTTING MATERIAL	EPOXY	BLACK
4	RECEPTACLE SHELL	6061-T6 ALUMINUM	ANODIZED
3	FEMALE INSERT	TPE C	BLACK
2	SOCKET CONTACT	COPPER ALLOY	GOLD PLATED
1	WIRE, 12 AWG UL 1015	PVC JACKET	SEE FACE VIEW
ITEM	DESCRIPTION	MATERIAL	FINISH

THIS DRAWING CONTAINS INFORMATION THAT IS PROPRIETARY TO MOLEX ELECTRONIC TECHNOLOGIES, LLC AND SHOULD NOT BE USED WITHOUT WRITTEN PERMISSION			
SYMBOLS DIMENSION UNITS: INCH SCALE: 1:1 GENERAL TOLERANCES (UNLESS SPECIFIED): 4 PLACES ± .005 INCH 3 PLACES ± .005 INCH 2 PLACES ± .005 INCH 1 PLACE ± .005 INCH 0 PLACES ± .005 INCH ANGULAR TOL ± 0.5° DRAFT WHERE APPLICABLE MUST REMAIN WITHIN DIMENSIONS	CURRENT REV DESC: INSERT WAS PVC, REMOVED 2P FACE VIEW, REV'D NOTES CORRECTED SHELL DIMS. ADD 90 D D DEG, REMOVE GREEN WIRE OPT EC NO: 630235 DRWN: RSTONE 2020/01/10 CHK'D: MZIELINSKI 2020/02/12 APPR: BWOODMAN 2020/02/16 INITIAL REVISION: DRWN: MODELL 2008/09/10 APPR: RDEROSS 2008/09/15	molex	BRAD POWER RECEPTACLE, 1/2 NPT 3 & 4 POLE, FEMALE, SINGLE KEY, 12 AWG PRODUCT CUSTOMER DRAWING DOCUMENT NUMBER: SD-130066-013 DOC TYPE: PSD DOC PART: 001 REVISION: C MATERIAL NUMBER: GENERAL MARKET CUSTOMER: GENERAL MARKET SHEET NUMBER: 1 OF 1
THIRD ANGLE PROJECTION 	DRAWING: C-SIZE SERIES: 130066		