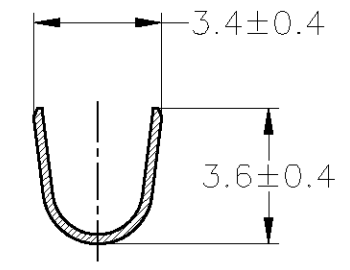
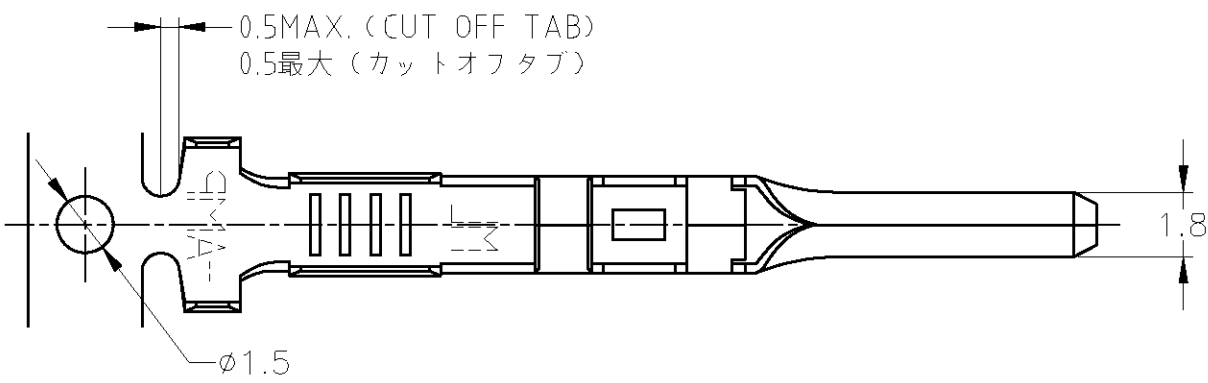


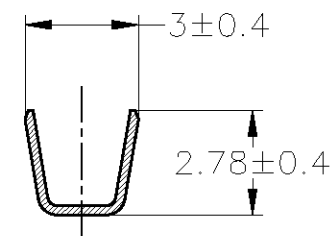
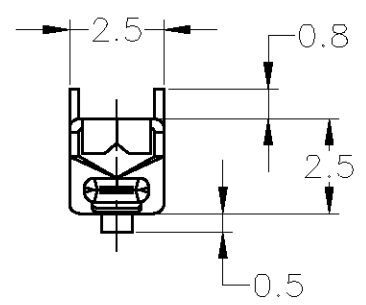
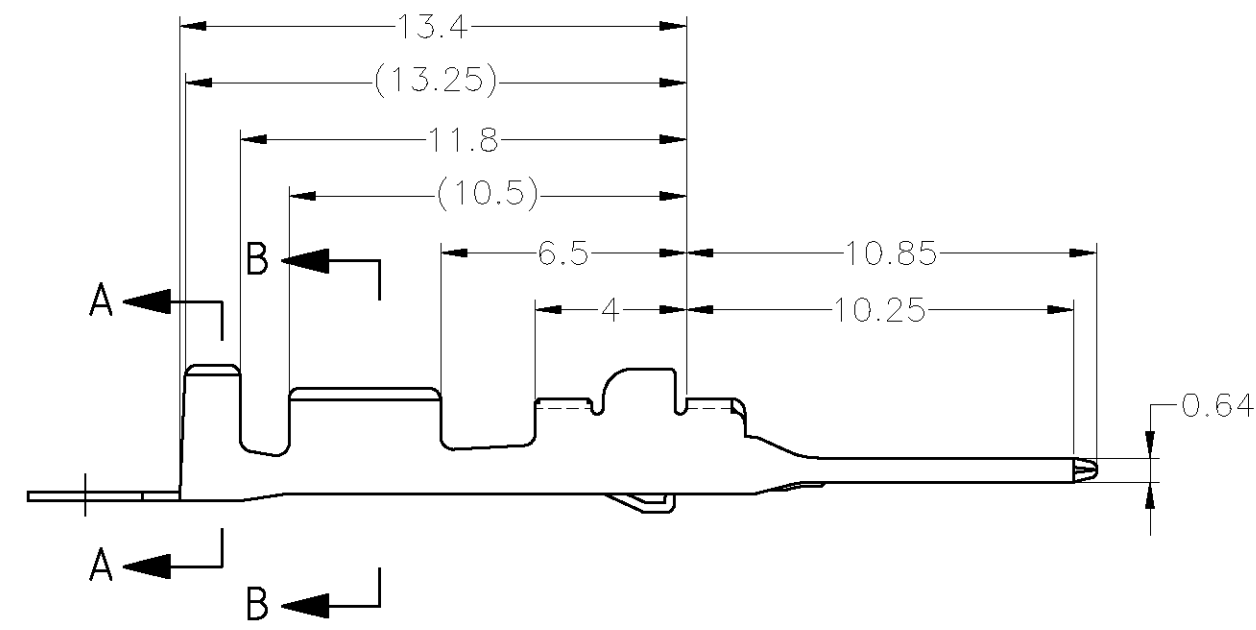
THIS DRAWING IS UNPUBLISHED. RELEASED FOR PUBLICATION  
 © COPYRIGHT - By Tyco Electronics JAPAN G.K. ALL RIGHTS RESERVED.

LOC	DIST	REVISIONS					
		P	LTR	DESCRIPTION	DATE	DWN	APVD
J	-	A1	REDRAWN W/CHANGE	ECR-12-012125	05JUL2012	TS	KB

-1; AS SHOWN



A-A



B-B

1. APPLICATION SPEC NO. 114-5160  
 1. 取付適用規格番号 114-5160

TOLERANCES UNLESS OTHERWISE SPECIFIED:  
 一般公差

10 ≥	±0.2
30 ≥ > 10	±0.25
100 ≥ > 30	±0.3
ANGLE : ±3°	

THIS DRAWING IS A CONTROLLED DOCUMENT.		DWN T.SHINOHARA 05JUL2012	<b>STE</b> TE Connectivity	
DIMENSIONS: mm		CHK K.BETSUI 05JUL2012		
TOLERANCES UNLESS OTHERWISE SPECIFIED: 0 PLC ± - 1 PLC ± - 2 PLC ± - 3 PLC ± - 4 PLC ± - ANGLES ± -		APVD K.BETSUI 05JUL2012	NAME	
MATERIAL ZKLF-5		FINISH PRE-TIN	070II SERIES S TAB CONTACT	
TOLERANCES UNLESS OTHERWISE SPECIFIED: 一般公差		PRODUCT SPEC -	APPLICATION SPEC SEE NOTE	RESTRICTED TO -
TOLERANCES UNLESS OTHERWISE SPECIFIED: 一般公差		WEIGHT 0.35 g	SIZE A3	CAGE CODE 00779
TOLERANCES UNLESS OTHERWISE SPECIFIED: 一般公差		CUSTOMER DRAWING	DRAWING NO C-179239	SCALE 5:1
TOLERANCES UNLESS OTHERWISE SPECIFIED: 一般公差		SHEET 1 OF 1		REV A1