

Series: Patch Antenna

**Description:** CERAMIC PATCH  
ANTENNA, 25x25x4mm GNSS PIN MOUNT  
**PART NUMBER: W3228**



### Features:

- 1621MHz Patch antenna
- RHCP Polarization
- Zenith Gain +4dBiC
- High Efficiency 84%
- Size 25 x 25 x 4 mm
- Pin mount with adhesive tape
- Tray packing

### Applications:

- Satellite receivers
- Tracking, Navigation, Satellite Positioning
- Fleet management
- Asset tracking

All dimensions are in mm / inches

Issue: 1909

In the effort to improve our products, we reserve the right to make changes judged to be necessary.

CONFIDENTIAL AND PROPRIETARY INFORMATION

This document contains confidential and proprietary information of Pulse Electronics, Inc. (Pulse) and is protected by copyright, trade secret and other state and federal laws. Its receipt or possession does not convey any rights to reproduce, disclose its contents, or to manufacture, use or sell anything it may describe. Reproduction, disclosure or use without specific written authorization of Pulse is strictly forbidden.

For more information:

Pulse Worldwide Headquarters  
15255 Innovation Drive #100  
San Diego, CA 92128  
USA  
Tel: 1-858-674-8100

Pulse/Larsen Antennas  
18110 SE 34<sup>th</sup> St Bldg 2 Suite 250  
Vancouver, WA 98683  
USA  
Tel: 1-360-944-7551

Europe Headquarters  
Pulse GmbH & Do, KG  
Zeppelinstrasse 15  
Herrenberg, Germany  
Tel: 49 7032 7806 0

Pulse (Suzhou) Wireless Products Co, Inc.  
99 Huo Ju Road(#29 Bldg, 4<sup>th</sup> Phase  
Suzhou New District  
Jiangsu Province, Suzhou 215009 PR China  
Tel: 86 512 6807 9998



**Description:** CERAMIC PATCH  
 ANTENNA,25x25x4mm GNSS PIN MOUNT  
**PART NUMBER: W3228**

**Series: Patch Antenna**

### ELECTRICAL SPECIFICATIONS

Frequency	1621±4 MHz
Nominal Impedance	50 Ω
Return Loss*	<-15 dB
RHCP Gain (typical)*	4 dBic
Zenith Axial Ratio(typical)*	2.1 dB @1621MHz
Polarization:	RHCP

### MECHANICAL SPECIFICATIONS

Overall Length	25x25x4mm
Weight	9.7g

### ENVIRONMENTAL SPECIFICATIONS

Operating Temperature	-40~+85 °C
Storage Temperature	-40~+85 °C
RoHS Compliant	Yes

\* Test the antenna on 60mmX60mm metal plane

Issue: 1909

In the effort to improve our products, we reserve the right to make changes judged to be necessary.

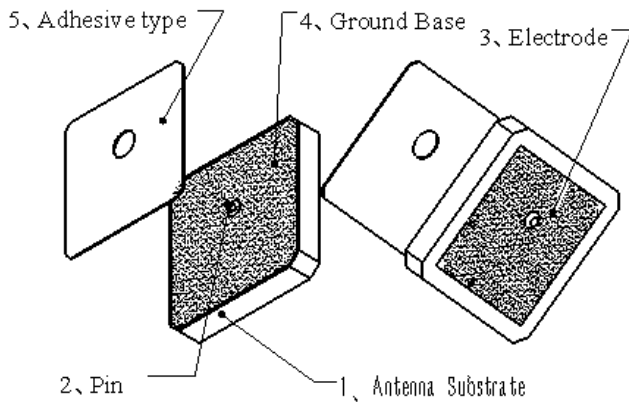
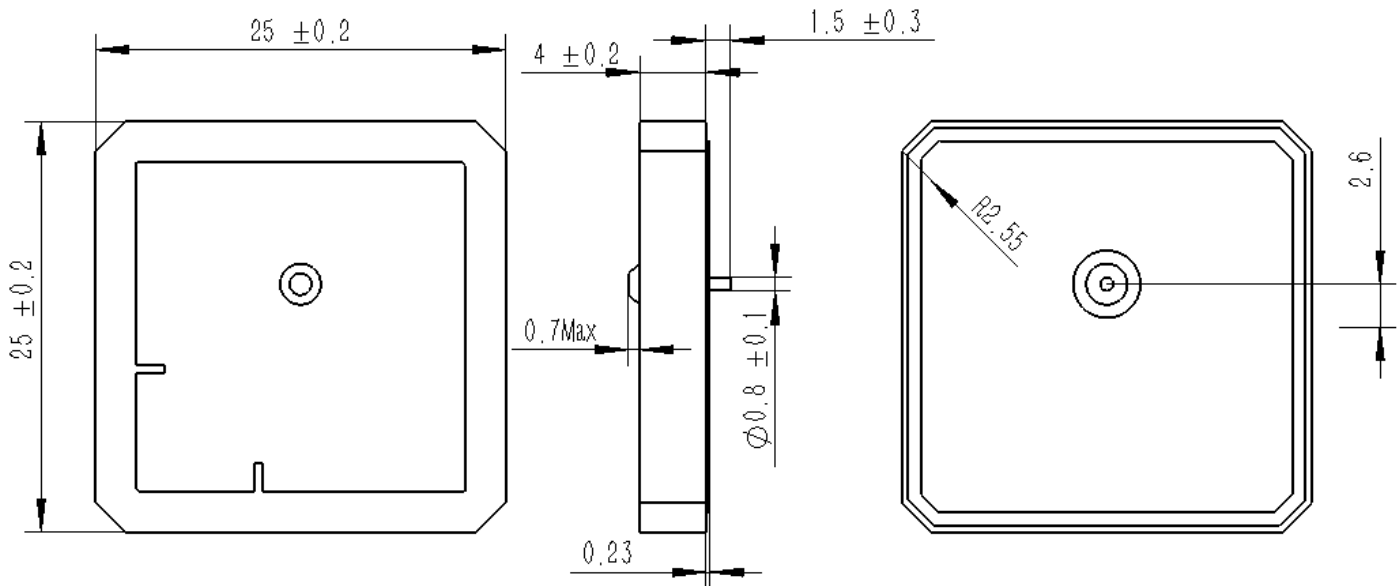
CONFIDENTIAL AND PROPRIETARY INFORMATION

This document contains confidential and proprietary information of Pulse Electronics, Inc. (Pulse) and is protected by copyright, trade secret and other state and federal laws. Its receipt or possession does not convey any rights to reproduce, disclose its contents, or to manufacture, use or sell anything it may describe. Reproduction, disclosure or use without specific written authorization of Pulse is strictly forbidden.

**Description:** CERAMIC PATCH  
ANTENNA, 25x25x4mm GNSS PIN MOUNT  
**PART NUMBER: W3228**

**Series: Patch Antenna**

**MECHANICAL DRAWING**



Scale: 1:1

NO.	Description	Structure and material
1	Antenna Substrate	Dielectric Ceramics
2	Pin	Copper and tinplated
3	Electrode	Ag Plated
4	Ground Base	Ag Plated
5	Adhesive type	NITTO 5000NS

Issue: 1909

In the effort to improve our products, we reserve the right to make changes judged to be necessary.

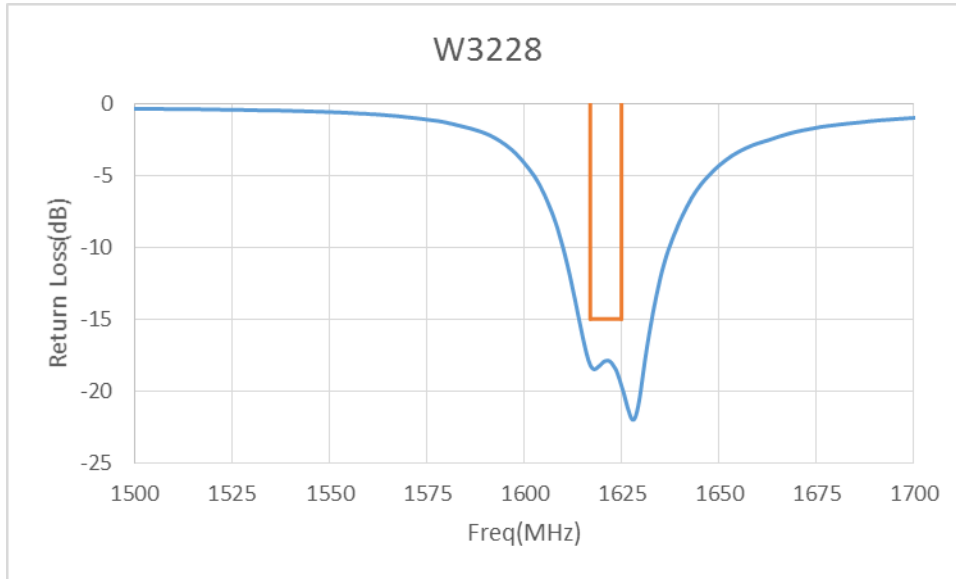
CONFIDENTIAL AND PROPRIETARY INFORMATION

This document contains confidential and proprietary information of Pulse Electronics, Inc. (Pulse) and is protected by copyright, trade secret and other state and federal laws. Its receipt or possession does not convey any rights to reproduce, disclose its contents, or to manufacture, use or sell anything it may describe. Reproduction, disclosure or use without specific written authorization of Pulse is strictly forbidden.

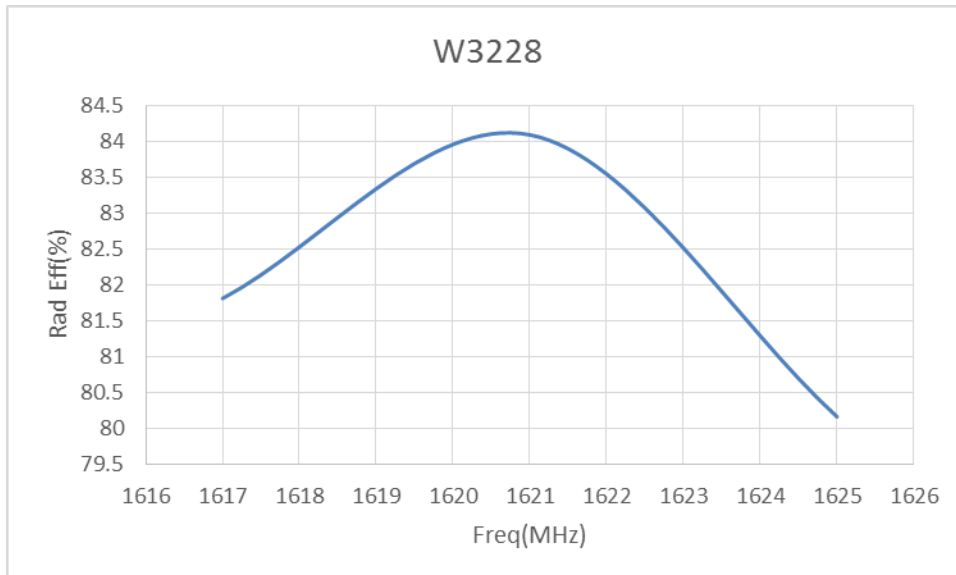
Series: Patch Antenna

**Description:** CERAMIC PATCH  
ANTENNA, 25x25x4mm GNSS PIN MOUNT  
**PART NUMBER: W3228**

CHARTS



Return Loss\*



Zenith total Radiation Efficiency

\* Test the antenna on 60mmX60mm metal plane

Issue: 1909

In the effort to improve our products, we reserve the right to make changes judged to be necessary.

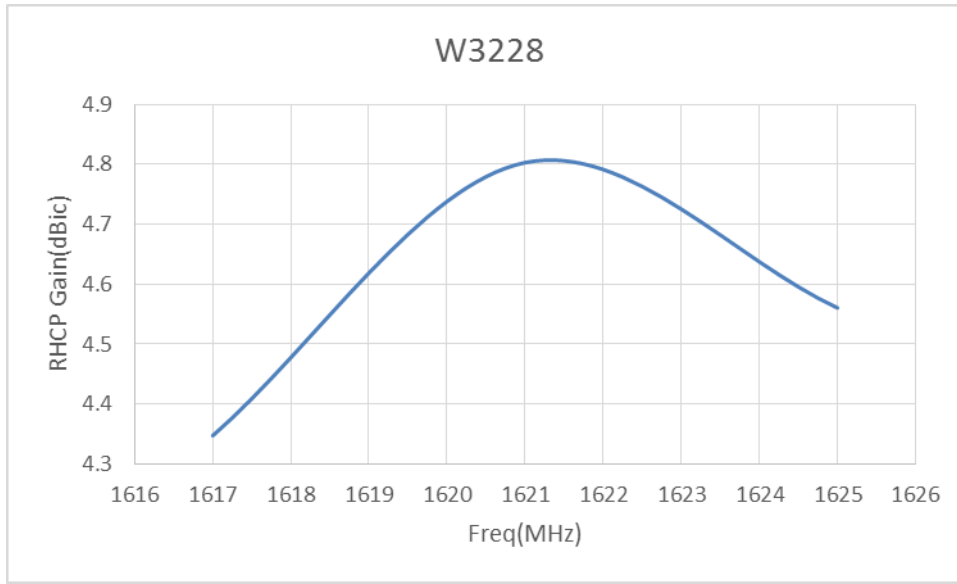
CONFIDENTIAL AND PROPRIETARY INFORMATION

This document contains confidential and proprietary information of Pulse Electronics, Inc. (Pulse) and is protected by copyright, trade secret and other state and federal laws. Its receipt or possession does not convey any rights to reproduce, disclose its contents, or to manufacture, use or sell anything it may describe. Reproduction, disclosure or use without specific written authorization of Pulse is strictly forbidden.

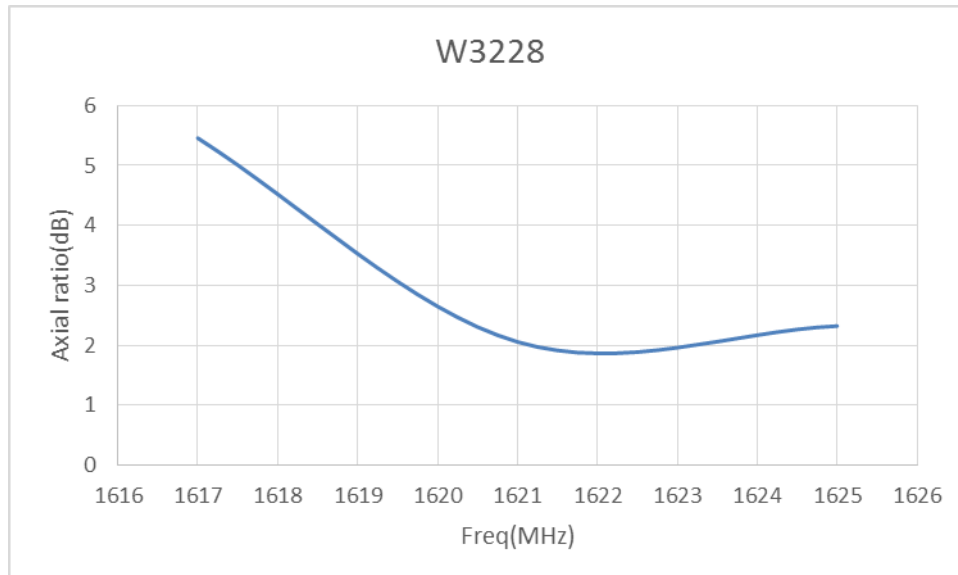
Series: Patch Antenna

**Description:** CERAMIC PATCH  
ANTENNA, 25x25x4mm GNSS PIN MOUNT  
**PART NUMBER: W3228**

CHARTS



Zenith RHCP Gain\*



Zenith Axial Ratio\*

\* Test the antenna on 60mmX60mm metal plane

Issue: 1909

In the effort to improve our products, we reserve the right to make changes judged to be necessary.

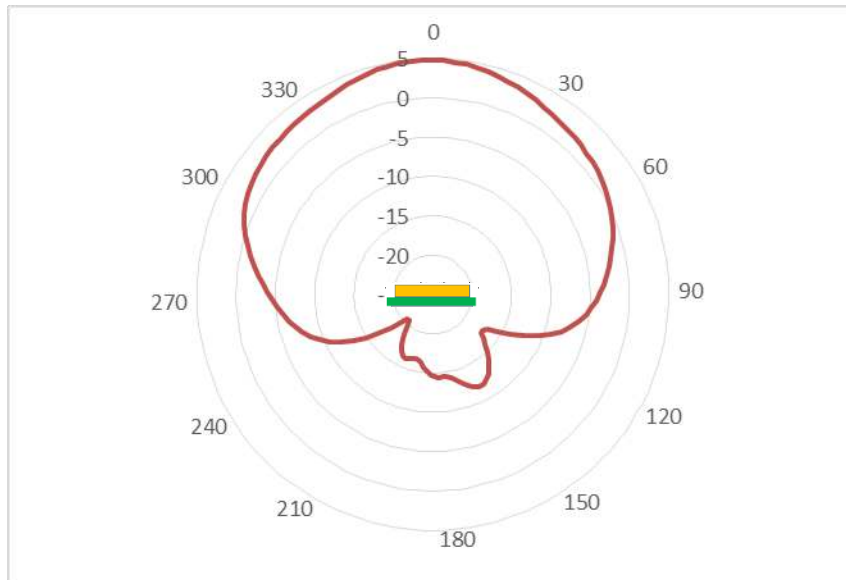
CONFIDENTIAL AND PROPRIETARY INFORMATION

This document contains confidential and proprietary information of Pulse Electronics, Inc. (Pulse) and is protected by copyright, trade secret and other state and federal laws. Its receipt or possession does not convey any rights to reproduce, disclose its contents, or to manufacture, use or sell anything it may describe. Reproduction, disclosure or use without specific written authorization of Pulse is strictly forbidden.

Series: Patch Antenna

**Description:** CERAMIC PATCH  
ANTENNA, 25x25x4mm GNSS PIN MOUNT  
**PART NUMBER: W3228**

CHARTS



Radiation pattern on 60mmX60mm metal plane

**Series: Patch Antenna**

**Description:** CERAMIC PATCH  
ANTENNA,25x25x4mm GNSS PIN MOUNT  
**PART NUMBER: W3228**

## PACKAGING

Tray packing  
50PCS/Tray  
2 Tray / vacuum bag  
2 vacuum bag /small carton box  
2 small carton box/ big box  
Total: 400PCS/big carton box  
Big box dimensions (MM): 460x235x140