

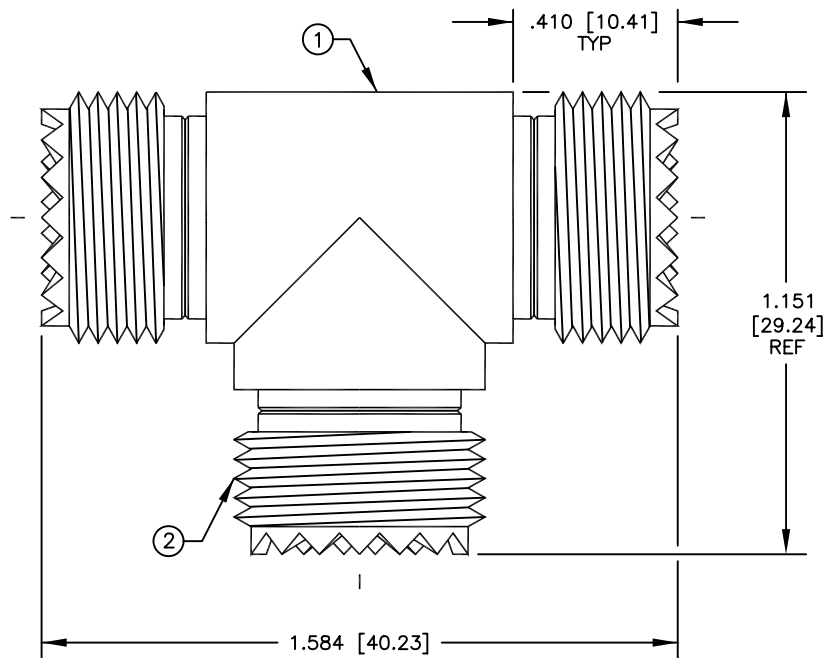
SPECIFICATION CONTROL DRAWING

THIS DRAWING CONTAINS INFORMATION PROPRIETARY TO RF INDUSTRIES, LTD. ANY UNAUTHORIZED USE OF THIS DRAWING IS EXPRESSLY PROHIBITED. ANY VIOLATION IS PUNISHABLE UNDER U.S. COPYRIGHT LAWS.

REV	DESCRIPTION	DWN	DATE	APPROVED
A	ENGINEERING RELEASE	PB	3/27/93	C. JONES
B	CHG DIELECTRIC TO DELRIN	KMM	7/27/94	R. RICE
C	CHG CONTACT & DIE DIMS / NOW TWO PIECE BODY	CZS	8/11/98	R. RICE

ALL DIMENSIONS ARE REFERENCE ONLY

000000



SPECIFICATIONS:

IMPEDANCE: NON CONSTANT
 WORKING VOLTAGE: 500 VRMS @ SEA LEVEL
 FREQUENCY RANGE: 0-300 MHz

DIMENSIONS ARE IN INCHES
 AND [MILLIMETERS]

UNLESS OTHERWISE NOTED
 TOLERANCES ARE:
 DECIMALS DIAMETER

RF connectors
 DIVISION OF RF INDUSTRIES, LTD.

7610 MIRAMAR RD
 SAN DIEGO, CA 92126
 (619)549-6340
 (619)549-6345 FAX

RFU-534

UHF "T" ADAPTER, TRIPLE FEMALE

ITEM	DESCRIPTION	QTY	MATERIAL	FINISH
5	DIELECTRIC	3	DELTRIN	NONE
4	CONTACT	1	BRASS	SILVER
3	CONTACT	1	BRASS	SILVER
2	BODY	1	BRASS	NICKEL
1	BODY	1	BRASS	NICKEL

DRAWN	C. ZUNIGA	8/11/98
CHECKED		
ORJ DRAWN	P. BREAUX	3/27/93
APPROVALS		
DATE		

SIZE	A	CABLE GROUP	N/A	DWG NO.	8062	REV	C
SCALE:	2:1	CAD FILE	13ARC B	SHEET 1 OF 1			