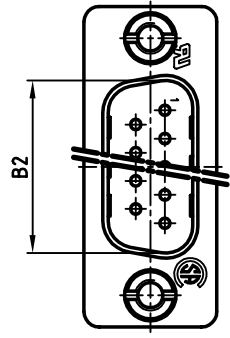
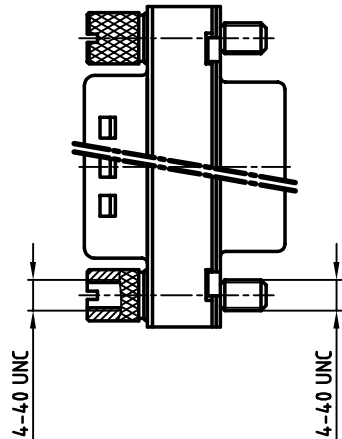
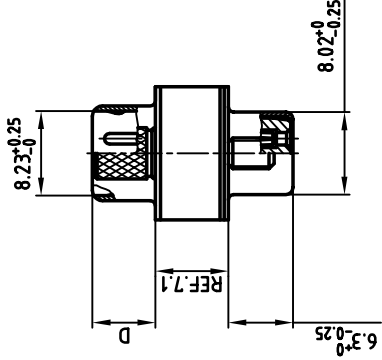
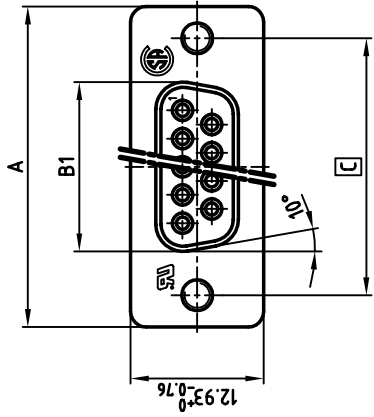


used for: D-SUB FILTER ADAPTER

Part-NO.	POS.	A ^{-0.76}	B1 ^{-0.25}	B2 ^{+0.25}	C	D ^{-0.3}
243A10090X	9	31.19	16.46	16.79	25.00 ^{+0.12} _{-0.13}	6.12
243A10100X	15	39.52	24.79	25.12	33.30 ^{+0.15} _{-0.1}	6.12
243A10110X	25	53.42	38.50	38.84	47.04 ^{+0.13}	5.99
243A10120X	37	69.70	54.96	55.30	63.50 ^{+0.13}	5.99



NOTES:
 1. METAL SHELLS: STEEL; min. 320µ" TIN
 2. INSULATORS: PBT GF UL 94 V-0, BLACK
 3. CONTACTS: COPPER ALLOY
 4. PLATING: min. 8µ" HARD GOLD OVER min. 50µ" NICKEL
 5. CAPACITANCE: 830pF ±20%
 6. MAXIMUM TORQUE VALUE FOR THREAD: 6" LBS
 7. = CRITICAL DIMENSION: SPC

DO NOT ALTER CAD DRAWING BY HAND
 OWNERSHIP AND COPYRIGHT OF CONEC GMBH
 REPRODUCED IN ANY WAY, AND MAY NOT
 BE PASSED ON TO A THIRD PARTY WITHOUT
 WRITTEN PERMISSION.

CONEC CORPORATION BRAMPTON, ONTARIO		tolerance		scale: 2:1	
2001	date	name		material: SEE NOTES	
drawn	08.10.	date	name	title: D-SUB C-FILTER ADAPTER	
appd.	08.10.	08.10.	E. Mickenbecker	9-37pos. PLUG / SOCKET	
norm	DIN 41652		dwg no: AutoCAD 2000 DIN-A		
o-odd			3		
		CONEC		24K1A176A	
rev. description		date		part no: SEE TABLE	
				1	