

NOTES:

1. MATERIALS AND FINISHES:

BODY, CONTACT - BeCu, GOLD PLATING
 SPRING RING - BeCu, NICKEL PLATING
 INSULATORS - PTFE, NATURAL
 O-RING - SILICONE RUBBER

2. ELECTRICAL:

A. IMPEDANCE: 50 OHM
 B. FREQUENCY RANGE: DC - 6 GHz

3. PHYSICAL:

A. DURABILITY: 100 CYCLES MIN.
 B. TEMPERATURE RANGE: -65° C TO +165° C
 C. MAINTAINS IP67 SEAL WHEN MATED WITH SMP-MSSB-C07 OR SIMILAR IP67 JACK. SEE SMP-MSSB-C07 DATASHEET FOR MATED PAIR DETAILS.

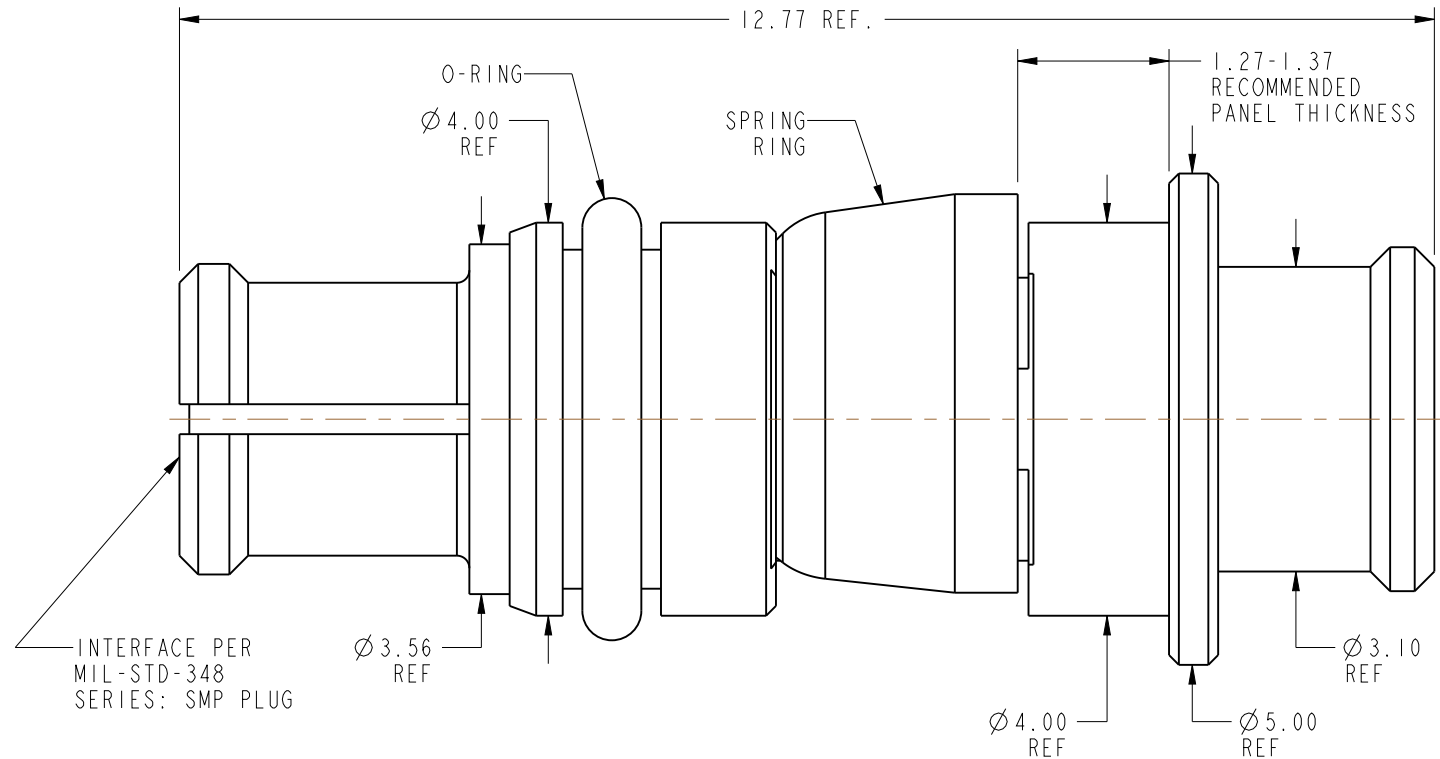
4. PACKAGING:

A. QUANTITY: SINGLE PACK
 B. MARKING: BAG TO BE MARKED
 "AMPHENOL RF, SMP-FS-C07-1, AND DATE CODE"

5. CABLE ASSEMBLY INSTRUCTIONS:

A. TRIM CABLE AS SHOWN.
 B. SLIDE INSULATOR DISC OVER CABLE CENTER CONDUCTOR.
 C. SOLDER CENTER CONTACT TO CABLE CENTER CONDUCTOR.
 D. INSERT CABLE INTO CONNECTOR REAR BODY.
 E. SOLDER OUTER CONDUCTOR OF CABLE TO CONNECTOR REAR BODY.
 F. AFTER PUSHING CONNECTOR THROUGH THE PANEL HOLE, INSTALL O-RING OVER Ø4.00 INTO POSITION SHOWN BELOW.

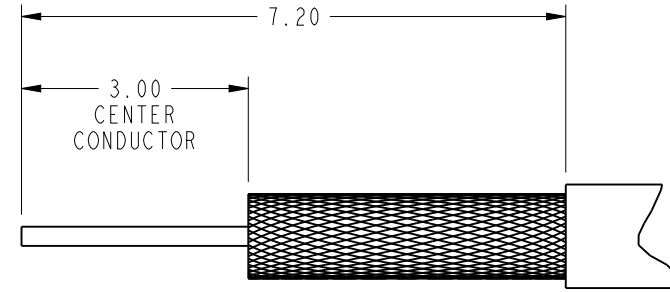
6. SHOWS CABLE ENTRY DIMENSIONS



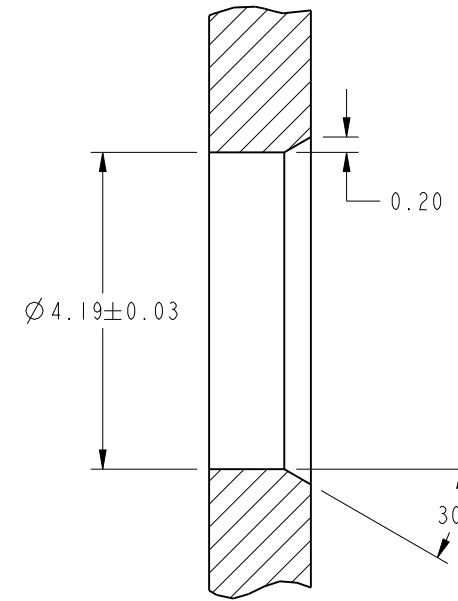
THIRD ANGLE PROJ.

REVISIONS

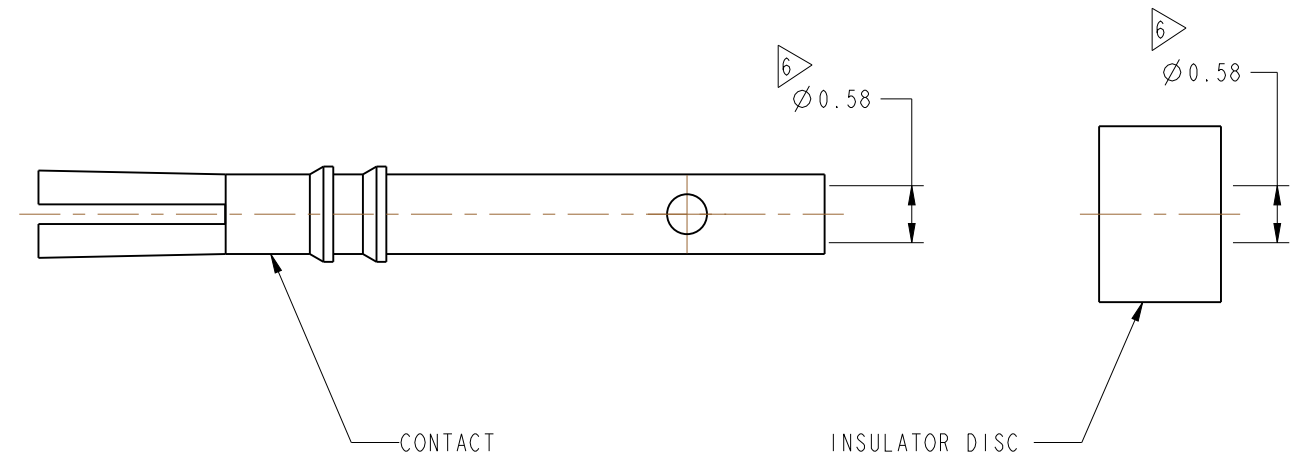
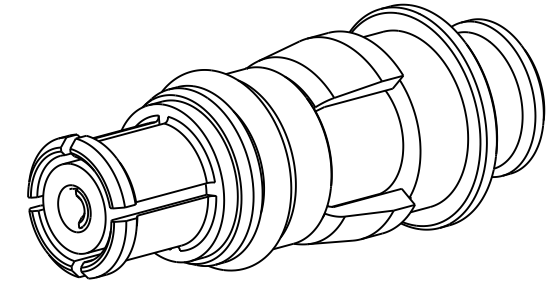
REV	DESCRIPTION	DATE	ECO	APPR
A	RELEASE TO MFG.	16-Jun-14	50045	MB
B	UPDATED TITLE BLOCK, ADDED NOTE 3C, UPDATED NOTE 5	17-SEP-20	15336	EH



RECOMMENDED CABLE STRIPPING DIMENSIONS



RECOMMENDED PANEL HOLE



CUSTOMER OUTLINE DRAWING

ALL OTHER SHEETS ARE FOR INTERNAL USE ONLY

UNLESS OTHERWISE SPECIFIED, DIMENSIONS ARE IN METRIC AND TOLERANCES ARE:
 <0.5mm ±0.05mm 0.5 - 6mm ±0.1mm 6 - 30mm ±0.2mm 30 - 120mm ±0.3mm ANGLES ±1°

NOTICE - These drawings, specifications, or other data (1) are, and remain the property of Amphenol corp. (2) must be returned upon request; and (3) are confidential and not to be disclosed to any person other than those to whom they are given by Amphenol Corp. the furnishing of these drawings, specifications, or other data by Amphenol Corp., or to any other person to anyone for any purpose is not to be regarded by implication or otherwise in any manner licensing, granting rights to permitting such holder or any other person to manufacture, use or sell any product, process or design, patented or otherwise, that may in any way be related to or disclosed by said drawings, specifications, or other data.

MATERIAL	SEE NOTES
REFERENCE	EAR # 5814 & 615X-3057-999
CONFIGURATION LEVEL:	In Work
FINISH	

DRAWN	J.CHEN	DATE	18-Jul-14
ENGINEER	E.WANKOFF	DATE	07-Jun-13
APPROVED	S.HSIEH	DATE	18-Jul-14
CAD FILE			

TITLE	SMP, PLUG FOR 0.086" CABLE IP67		
SCALE:	13.0:1.0	SHEET	2 OF 2
DWG SIZE	B	REV	B

Amphenol RF	
www.amphenolrf.com	
DRAWING NO.	SMP-FS-C07-1
ITEM NO.	SMP-FS-C07-1
PART NO.	SMP-FS-C07-1