

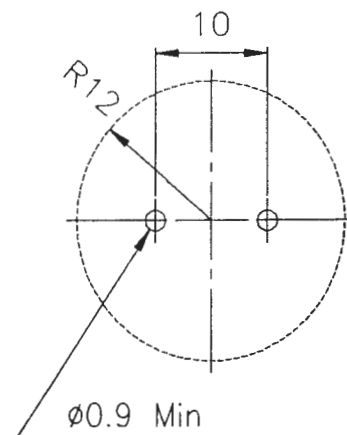
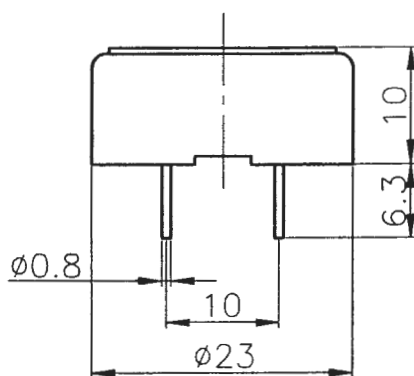
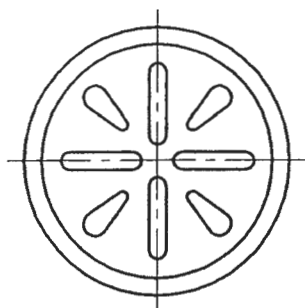
INTERVOX Speakers from International C

215 McCormick Drive, Bohemia, NY 11716 (631) 952-9595 (631) 952-9597 www.icc107.com

1.	MODEL:	SR900R-PC				
2.	Dimension	Outer Diameter	23	mm.		
		Height	Refer to Drawing .	Weight	3.6 Grams.	
3.	Magnet	Materials	Rare Earth	Size	ϕ 6.5X1.5 mm.	
4.	Nominal Impedance	8 Ω	\pm 15 %	At	1500 Hz.	
5.	Power Rating	Normal	100 mW.	Maximum	200 mW.	
6.	Lowest Resonant Frequency	850	\pm	20 %	Hz.	
7.	Output Sound Pressure Level (S.P.L.)	72	\pm	3 db / 0.1 Watt	0.5 Meter.	
		Average at	800, 1000, 1200, 1500	Hz.		
8.	Frequency Range	550	~	3500 Hz.	Average SPL - 10 db.	
9.	Distortion	5 %	Maximum At	1000 Hz.	100 mW.	
10.	Abnormal Sound Test	Must Be Normal Test By		0.9 Volts.	Sine Wave.	
11.	Load Test	White Noise With Weighted Filter		0.9 Volts.(RMS)	24 Hrs.	
12.	Operating Temperature	-20 ~ + 50 Centigrade Degree.				
13.	Storage Temperature	-20 ~ + 55 Centigrade Degree.				

Speaker cannot be wave soldered.

Recommendation
For PCB layout



** Precaution
Solvent washing is NOT allowed.
An outside oscillation or driving circuit is needed.

INTERVOX Speakers from International ©

SR900R-PC

G50

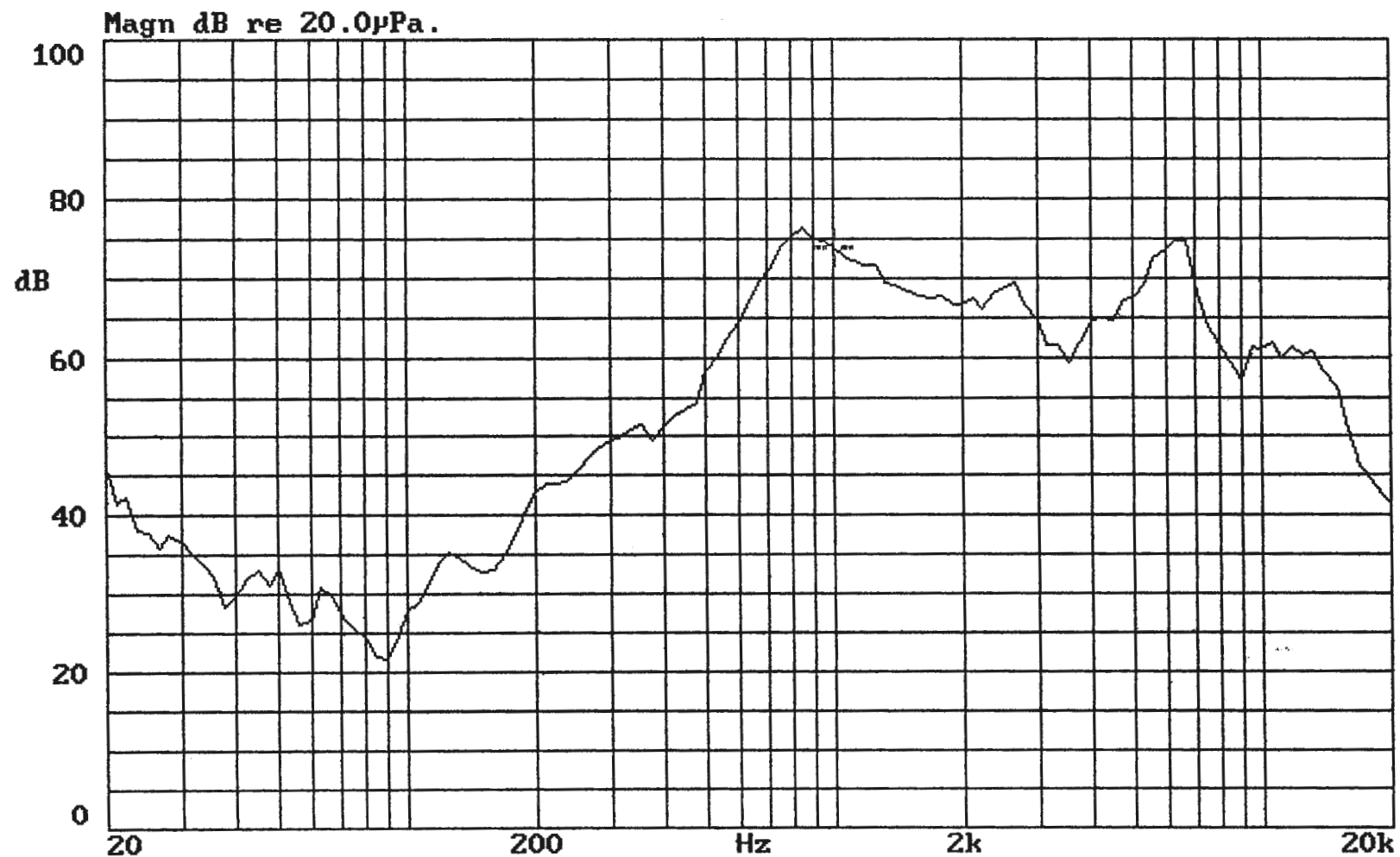
8Ω Vol:0.894V(0.1W) Dis:0.5M

X:1.0000kHz

*Y:73.93dB

ZA:Live Curve

SSR Fund.



29-JUN-1999 16:52:37

Mode: SSR

