

M17-8EP1N8AW500S - Device connector front mounting



1628908

<https://www.phoenixcontact.com/pc/products/1628908>

Please be informed that the data shown in this PDF document is generated from our online catalog. Please find the complete data in the user documentation. Our general terms of use for downloads are valid.



M17, Device connector front mounting, series: M17 PRO, straight, for standard and ONECLICK fast locking system, No. of pos.: 5+3+PE, contact connection type: Pin, Crimp connection, flange dimensions: 26 mm x 26 mm, coding: N, Item is lead-free in accordance with RoHS II without Exemption 6c (Pb <0.1%)

Your advantages

- Solutions with cross-manufacturer compatibility for standard and fast locking systems
- Modern, consistent design for highly convenient operation
- Crimping connection: vibration- and temperature-resistant assembly
- All housing can be fitted with pin or socket contacts
- Safe use in the field, thanks to high degree of protection

Commercial data

| | |
|--------------------------------------|---------------|
| Item number | 1628908 |
| Packing unit | 1 pc |
| Minimum order quantity | 1 pc |
| Product key | ABRBAL |
| GTIN | 4055626706832 |
| Weight per piece (including packing) | 49.3 g |
| Weight per piece (excluding packing) | 49.3 g |
| Customs tariff number | 85366990 |
| Country of origin | DE |

M17-8EP1N8AW500S - Device connector front mounting



1628908

<https://www.phoenixcontact.com/pc/products/1628908>

Technical data

Notes

| | |
|-------------|---|
| General | Order crimp contacts 5 x 0.6 mm, 4 x Ø 1 mm separately |
| Safety note | |
| Safety note | <p>WARNING: The connectors may not be plugged in or disconnected under load. Ignoring the warning or improper use may damage persons and/or property.</p> <ul style="list-style-type: none"> • WARNING: Commission properly functioning products only. The products must be regularly inspected for damage. Decommission defective products immediately. Replace damaged products. Repairs are not possible. • WARNING: Only electrically qualified personnel may install and operate the product. They must observe the following safety notes. The qualified personnel must be familiar with the basics of electrical engineering. They must be able to recognize and prevent danger. The relevant symbol on the packaging indicates that only personnel familiar with electrical engineering are allowed to install and operate the product. • The products are suitable for applications in plant, controller, and electrical device engineering. • When operating the connectors in outdoor applications, they must be separately protected against environmental influences. • Assembled products may not be manipulated or improperly opened. • Only use mating connectors that are specified in the technical data of the standards listed (e.g. the ones listed in the product accessories online at phoenixcontact.com/products). • When using the product in direct connection with third-party manufacturers, the user is responsible. • For operating voltages > 50 V AC, conductive connector housings must be grounded • Ensure that the protective or functional ground has been properly connected. • VDE 0100/1.97 § 411.1.3.2 and DIN EN 60 204/11.98 § 14.1.3 are applicable when combining several circuits in a cable and/or connector • Only use tools recommended by Phoenix Contact • The installation notes/Design In documents online on the download page at phoenixcontact.com/products must be observed for this product. • Operate the connector only when it is fully plugged in and interlocked. • Ensure that when laying the cable, the tensile load on the connectors does not exceed the upper limit specified in the standards. • Observe the minimum bending radius of the cable. Lay the cable without twisting it. • The connector warms up in normal operation. Depending on the ambient conditions, the surface of the connector can continue to warm up. In this case, the user is responsible for posting |

M17-8EP1N8AW500S - Device connector front mounting



1628908

<https://www.phoenixcontact.com/pc/products/1628908>

warnings (e.g. DIN EN ISO 13732-1:2008-12).

Product properties

Product type Circular connectors (device side)

Material specifications

Flammability rating according to UL 94 V0

Connector

Insulating body

| | |
|---|-----------------------------------|
| Coding | N |
| Insertion/withdrawal cycles | 100 |
| Connection method | Crimp connection |
| Contact switching type | Pin |
| Application | Power |
| Number of positions | 9 |
| Connection profile | 5+3+PE |
| Contact diameter Power contacts | 1 mm |
| Litz wire cross-section Power contacts min. | 0.06 mm ² |
| Litz wire cross-section Power contacts max. | 1 mm ² |
| Rated current Power contacts | 14 A |
| Note | for max. connection cross section |
| Rated voltage | 630 V |
| Rated surge voltage | 6 kV |
| Overvoltage category | III |
| Degree of pollution | 3 |
| Contact diameter Signal contacts | 0.6 mm |
| Litz wire cross-section Signal contacts min. | 0.06 mm ² |
| Litz wire cross-section Signal contacts max. | 0.5 mm ² |
| Nominal current per signal contact | 3.6 A |
| Note | for max. connection cross section |
| Rated voltage Signal contact | 60 V |
| Rated surge voltage | 1.5 kV |
| Overvoltage category | III |
| Degree of pollution | 3 |
| Installation height | 2000 m |

Housing

| | |
|-----------------------------------|---|
| Housing material | GD-Zn |
| Flange dimensions | 26 mm x 26 mm |
| Type of locking | for standard and ONECLICK fast locking system |
| Degree of protection (plugged in) | IP67 |

M17-8EP1N8AW500S - Device connector front mounting



1628908

<https://www.phoenixcontact.com/pc/products/1628908>

| | |
|-------------|------------------|
| | IP68, 24 h / 2 m |
| Thread type | M17 |

Environmental and real-life conditions

Ambient conditions

| | |
|---------------------------------|--|
| Ambient temperature (operation) | -40 °C ... 105 °C (see derating curve) |
|---------------------------------|--|

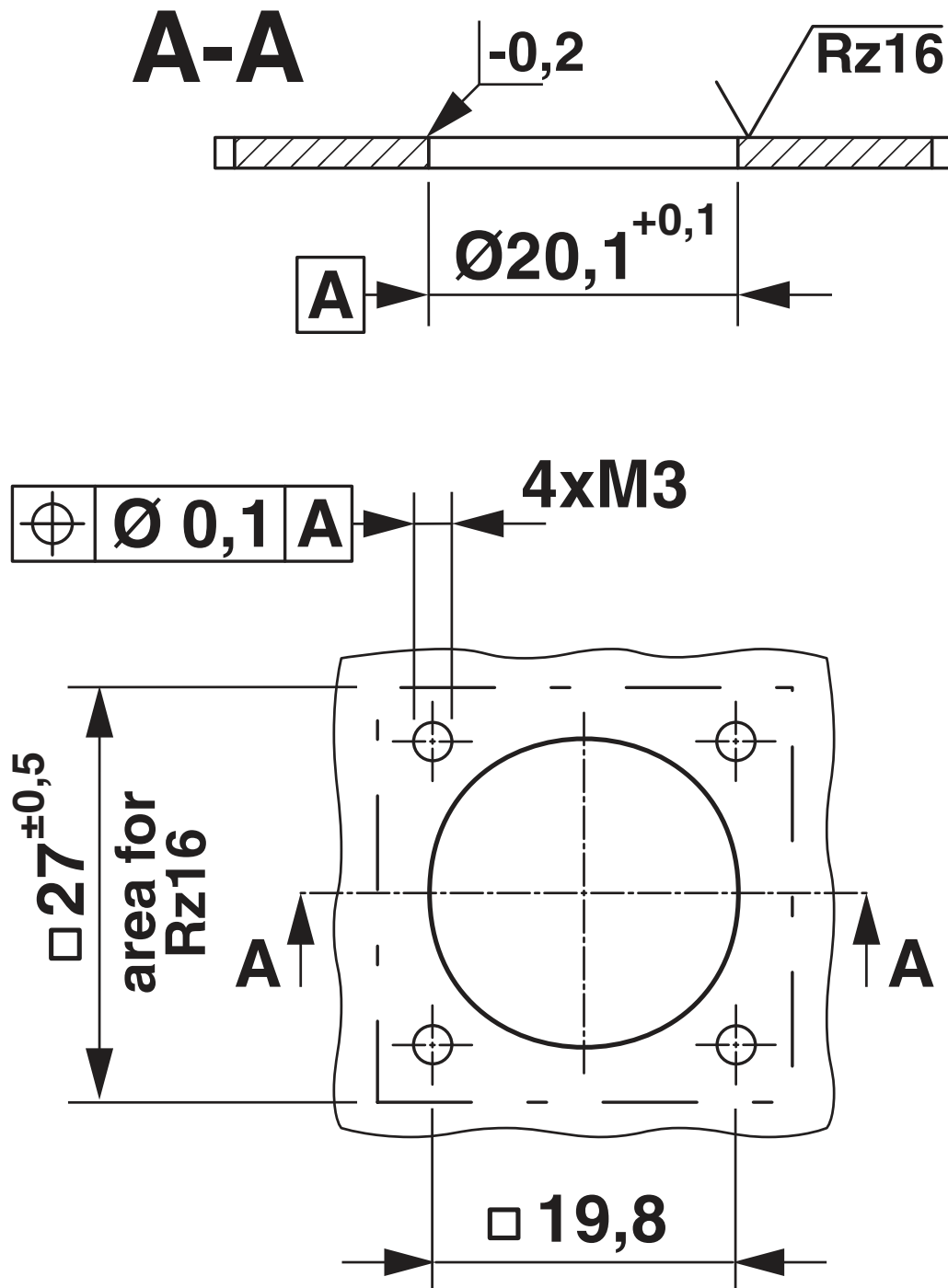
M17-8EP1N8AW500S - Device connector front mounting

1628908

<https://www.phoenixcontact.com/pc/products/1628908>

Drawings

Dimensional drawing



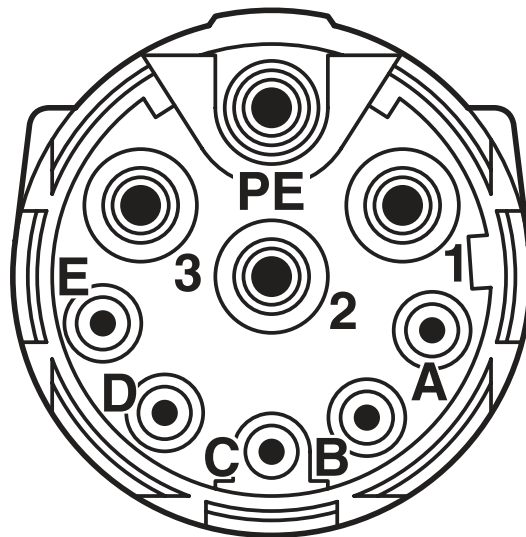
Installation dimensions

M17-8EP1N8AW500S - Device connector front mounting

1628908

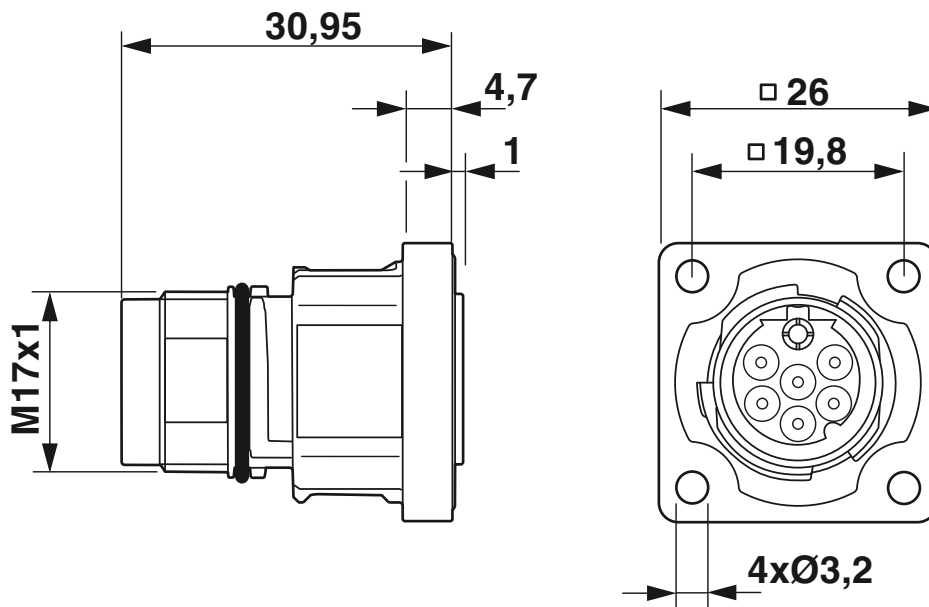
<https://www.phoenixcontact.com/pc/products/1628908>

Schematic diagram



Connector pin assignment

Dimensional drawing

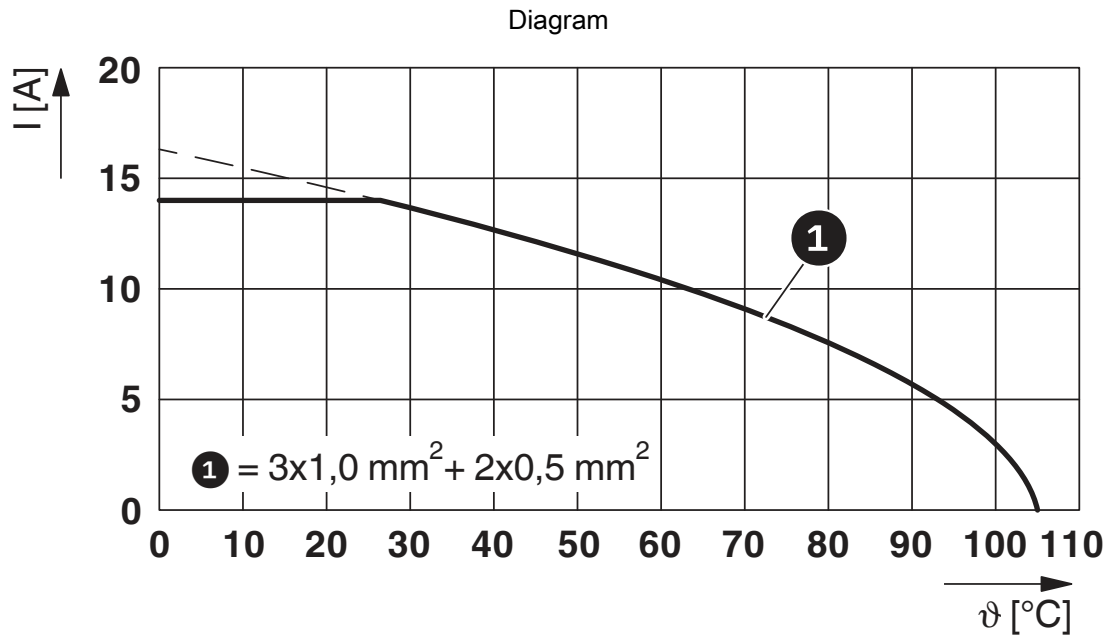


Dimensional drawing

M17-8EP1N8AW500S - Device connector front mounting

1628908

<https://www.phoenixcontact.com/pc/products/1628908>



I = current strength, ϑ = ambient temperature, 3x 14 A + 2x 2 A constant

M17-8EP1N8AW500S - Device connector front mounting



1628908

<https://www.phoenixcontact.com/pc/products/1628908>

Classifications

ECLASS

| | |
|-------------|----------|
| ECLASS-11.0 | 27440109 |
| ECLASS-12.0 | 27440109 |
| ECLASS-13.0 | 27440109 |

ETIM

| | |
|----------|----------|
| ETIM 8.0 | EC003569 |
|----------|----------|

UNSPSC

| | |
|-------------|----------|
| UNSPSC 21.0 | 39121400 |
|-------------|----------|

M17-8EP1N8AW500S - Device connector front mounting



1628908

<https://www.phoenixcontact.com/pc/products/1628908>

Environmental product compliance

| | |
|------------|---|
| China RoHS | Environmentally friendly use period: unlimited = EFUP-e |
| | No hazardous substances above threshold values |

M17-8EP1N8AW500S - Device connector front mounting

1628908

<https://www.phoenixcontact.com/pc/products/1628908>

Accessories

ST-Z0014 - Metal protective cap

1616069

<https://www.phoenixcontact.com/pc/products/1616069>



Metal protective cap, M17, degree of protection: IP67, series: ST, Alternative product in accordance with RoHS II without Exemption 6c (Pb <0.1%) item no.: 1243010

ST-Z0013 - Metal protective cap

1616068

<https://www.phoenixcontact.com/pc/products/1616068>



Metal protective cap, M17, degree of protection: IP67, series: ST, Alternative product in accordance with RoHS II without Exemption 6c (Pb <0.1%) item no.: 1243009

M17-8EP1N8AW500S - Device connector front mounting



1628908

<https://www.phoenixcontact.com/pc/products/1628908>

M17PRO-VIB-ORING - Sealing ring

1431550

<https://www.phoenixcontact.com/pc/products/1431550>

Vibration O-ring, optional accessory for M17 PRO device connectors



ST-06KP010 - Crimp contact

1607577

<https://www.phoenixcontact.com/pc/products/1607577>



Crimp contact, Pin, turned, contact diameter: 0.6 mm, crimp range: 0.06 mm² ... 0.25 mm², Alternative product in accordance with RoHS II without Exemption 6c (Pb <0.1%) item no.: 1242311

M17-8EP1N8AW500S - Device connector front mounting

1628908

<https://www.phoenixcontact.com/pc/products/1628908>

ST-06KP020 - Crimp contact

1607578

<https://www.phoenixcontact.com/pc/products/1607578>



Crimp contact, Pin, turned, contact diameter: 0.6 mm, crimp range: 0.14 mm² ... 0.34 mm², Alternative product in accordance with RoHS II without Exemption 6c (Pb <0.1%) item no.: 1242311

ST-06KP030 - Crimp contact

1607579

<https://www.phoenixcontact.com/pc/products/1607579>



Crimp contact, Pin, turned, contact diameter: 0.6 mm, crimp range: 0.34 mm² ... 0.5 mm², Alternative product in accordance with RoHS II without Exemption 6c (Pb <0.1%) item no.: 1242312

M17-8EP1N8AW500S - Device connector front mounting

1628908

<https://www.phoenixcontact.com/pc/products/1628908>

ST-10KP010 - Crimp contact

1618255

<https://www.phoenixcontact.com/pc/products/1618255>



Crimp contact, Pin, turned, Single contact, contact diameter: 1 mm, crimp range: 0.06 mm² ... 0.25 mm², Alternative product in accordance with RoHS II without Exemption 6c (Pb <0.1%) item no.: 1243215

ST-10KP035 - Crimp contact

1618458

<https://www.phoenixcontact.com/pc/products/1618458>



Crimp contact, Pin, turned, contact diameter: 1 mm, crimp range: 0.25 mm² ... 1 mm², Alternative product in accordance with RoHS II without Exemption 6c (Pb <0.1%) item no.: 1243215

M17-8EP1N8AW500S - Device connector front mounting

1628908

<https://www.phoenixcontact.com/pc/products/1628908>

PROT-M17PRO-OT-IP20 - Plastic protective cap

1055708

<https://www.phoenixcontact.com/pc/products/1055708>

Plastic protective cap, M17, degree of protection: IP20, series: M17 PRO



PROT-M17PRO-OT-IP67 - Plastic protective cap

1055717

<https://www.phoenixcontact.com/pc/products/1055717>

Plastic protective cap, M17, degree of protection: IP67, series: M17 PRO



Phoenix Contact 2023 © - all rights reserved
<https://www.phoenixcontact.com>

PHOENIX CONTACT GmbH & Co. KG
Flachsmarktstraße 8
D-32825 Blomberg
+49 (0) 5235-3 00
info@phoenixcontact.com