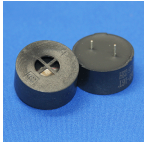


CT25E-16T150-1

Former P/N: CEMT250B125-12C15PLR / CEMT250B-12PLR

Rev. 7-2023
RoHS3 & REACH
Electromagnetic Sound Transducers



Operating Characteristics

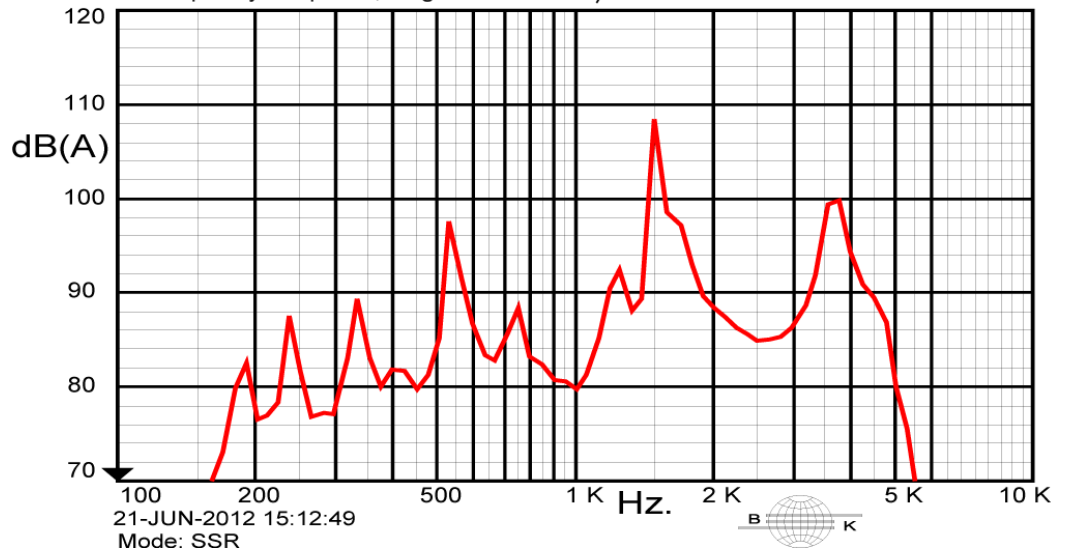
ELECTRICAL

Rated Voltage	12.0 Vo-p
Operating Voltage	8.0 to 16.0 Vo-p
Coil Resistance	120 ± 12 Ω
Max Current at V Rated	55 mA

ACOUSTIC

Min SPL at V Rated	104 dB
Test Conditions	10 cm
f _o	1500 Hz

X: 100 Hz. *Y: 56.8 dB ZA: Live Curve SSR T.Ha.
A: Frequency Response, Magn dB re 20.00 μPa/V



Physical Characteristics

MATERIAL

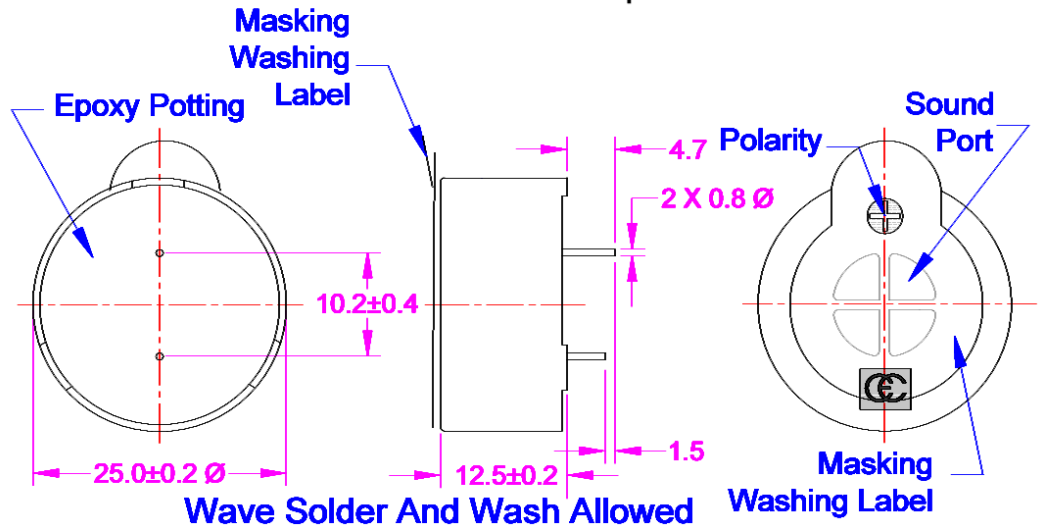
Housing	Noryl
Diaphragm	Ni-alloy
PC Pin	Tin Plated Brass

TEMPERATURE RANGES

Operating	-40 to +85 °C
Storage	-40 to +85 °C

Weight 10 g

Tolerance: ± 0.5mm unless specified otherwise.



All measurements in mm unless otherwise noted.

Revision	Description	By	Date
6-2020	Added abbreviated former PN. Added general tolerance.	JL	2020-11-03
7-2023	Added part image.	SK	2023-05-08

Warranty: For a period of two (2) years from date of shipping under normal operations conditions. This warranty does not apply to products damaged through misuse, abuse, improper installation, alteration, rework, or attempt to repair.

The information contained herein is believed to be correct, but no guarantee or warranty, express or implied, with respect to accuracy, completeness or results is extended and no liability is assumed. Challenge Electronics reserves the right to make changes in any specification, data or material contained herein.