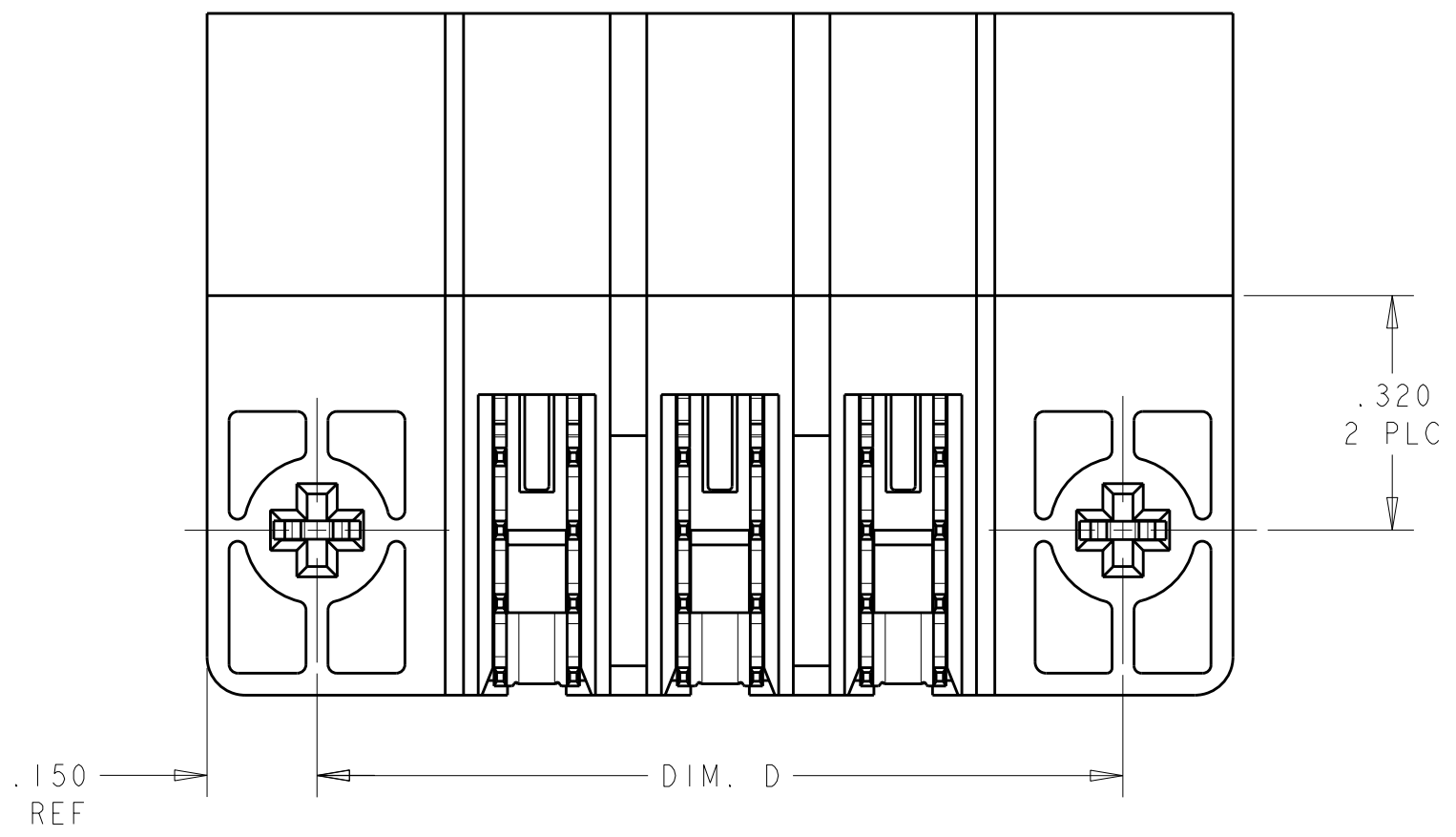
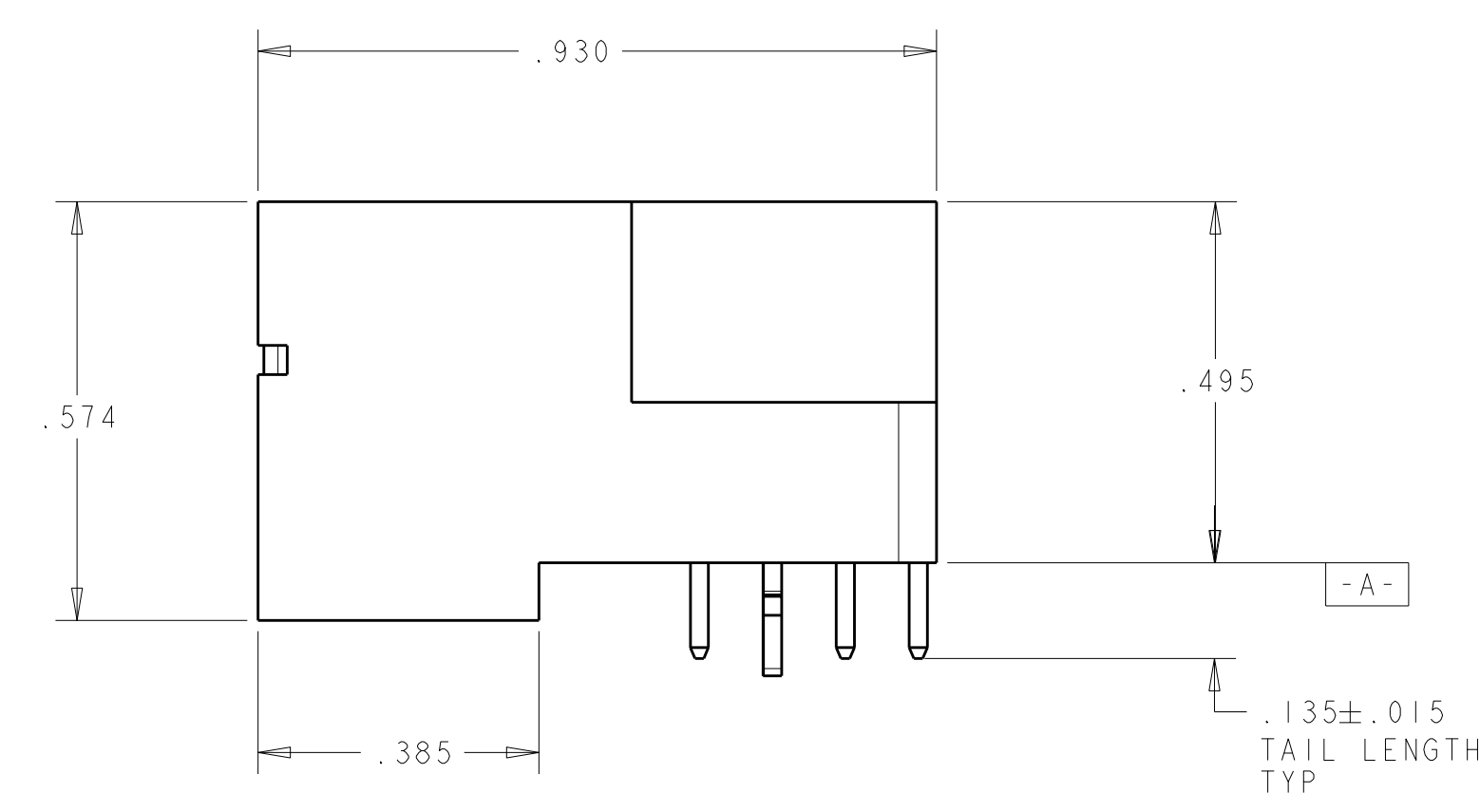
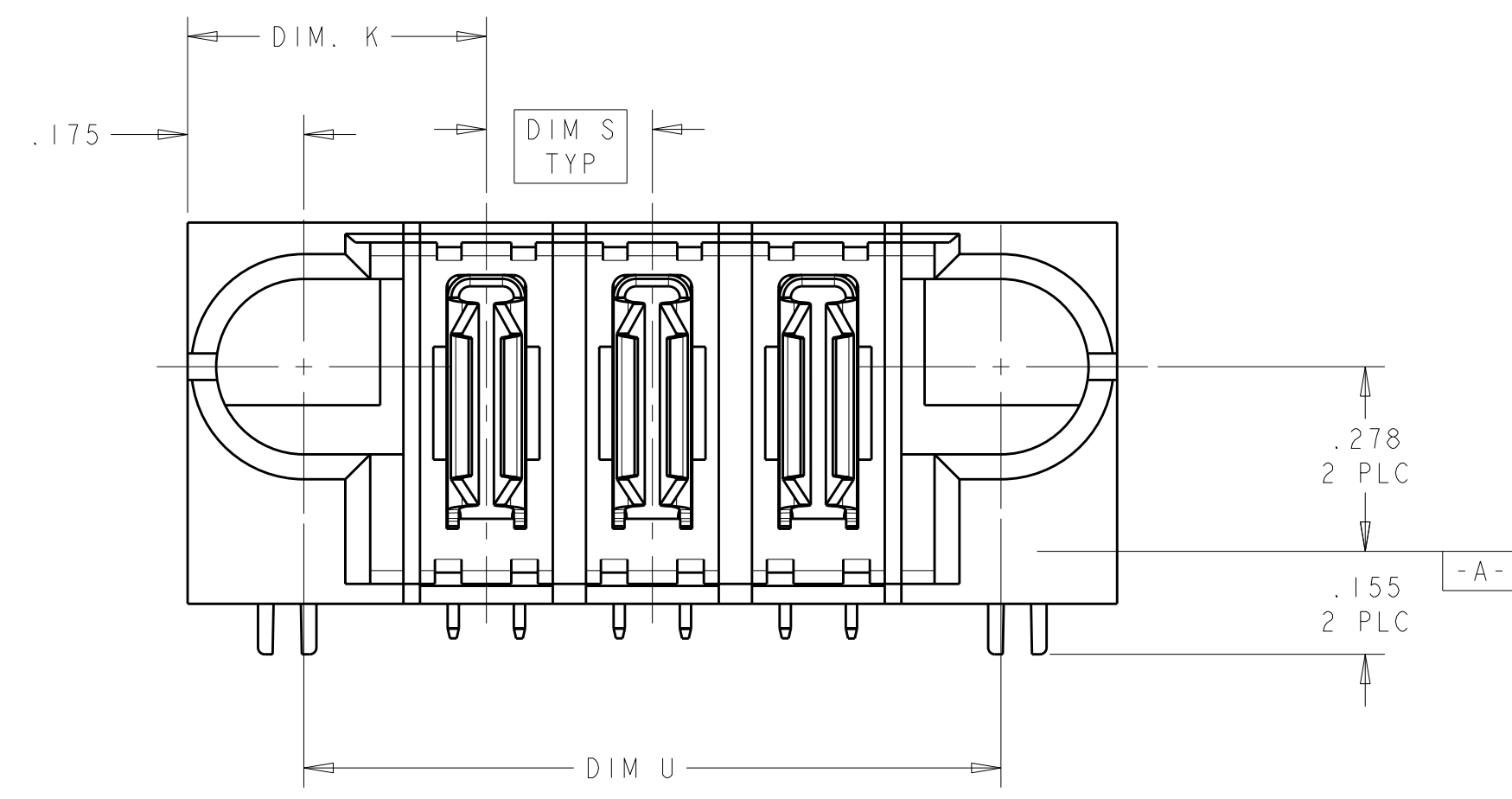
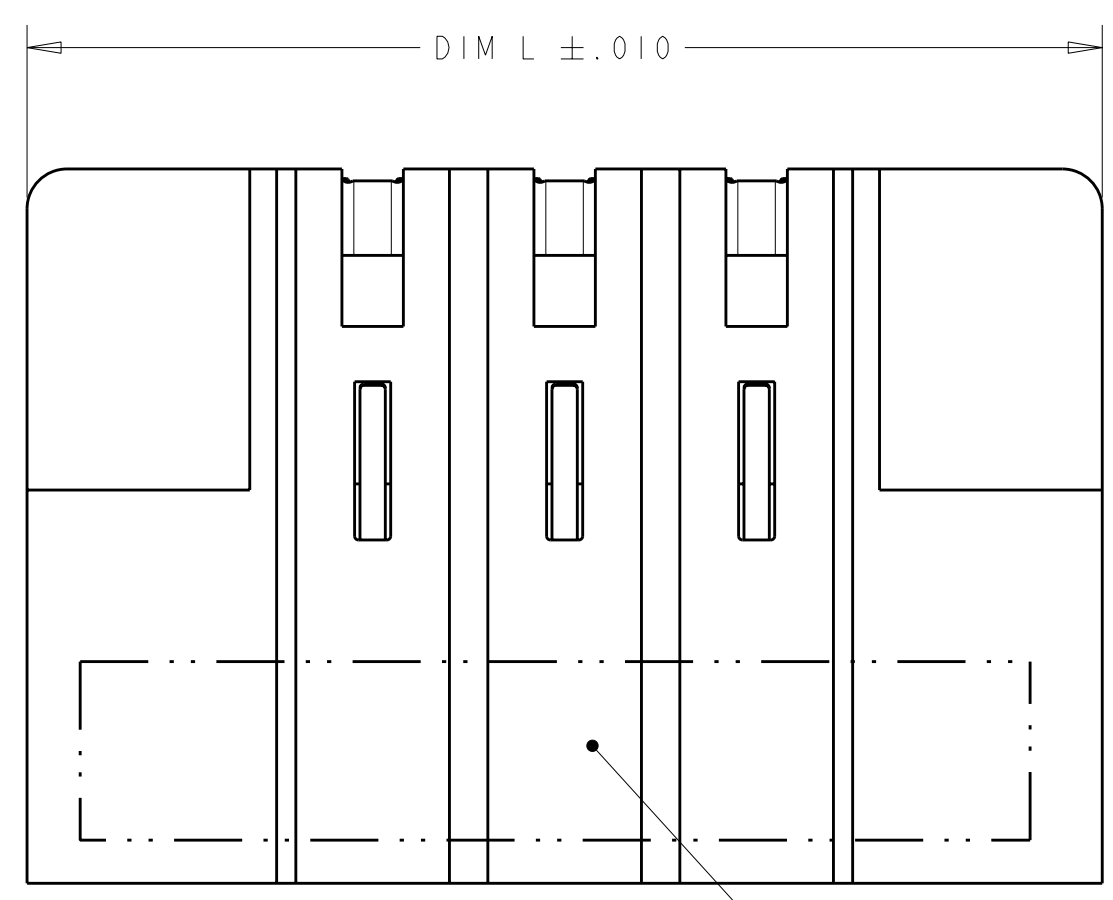


LOC	DIST	REV	DATE	BY	CHK	APPV
GP	00					

REVISIONS						
REV	DATE	BY	CHK	APPV	DESCRIPTION	DATE
A	13JUN2005	RG	MP		REV PER OS12-0650-04	13JUN2005
A1	19FEB2009	IL	SY		ADDED NEW DASH NUMBER -2	19FEB2009
B1	23FEB2009	IL	SY		REV PER ECR-09-004008	23FEB2009
C	02APR2009	KT	SY		REV PER ECR-09-009440	02APR2009

- 1 "AMP", PART NUMBER, AND DATECODE TO BE MARKED IN AREA SHOWN. PARTS UNDER 2.00 LONG MAY BE MARKED ON BOTH SIDES.
- 2 MATERIAL: HOUSING - GLASS FILLED HIGH TEMP THERMO PLASTIC, UL94 V-0
POWER CONTACT - HIGH CONDUCTIVITY COPPER ALLOY
- 3 CONTACT PLATING: POWER CONTACTS - .000050 MIN Ni UNDER ALL.
.000030 MIN. Au AT CONTACT AREA.
.000100 MIN Sn AT PCB INTERFACE.
- 4 MECHANICAL CONNECTOR KEEP OUT ZONE.
- 5 DATUM AND BASIC DIMENSIONS ESTABLISHED BY CUSTOMER.
- 6 PCB- ALL HOLE DIAMETERS ARE FINISHED HOLE SIZES.
- 7 PCB - .0453±.0010 DRILLED HOLES WITH .0003 MIN Sn OVER
.001 TO .003 Cu PLATING TO ACHIEVE A .040±.003 HOLE.



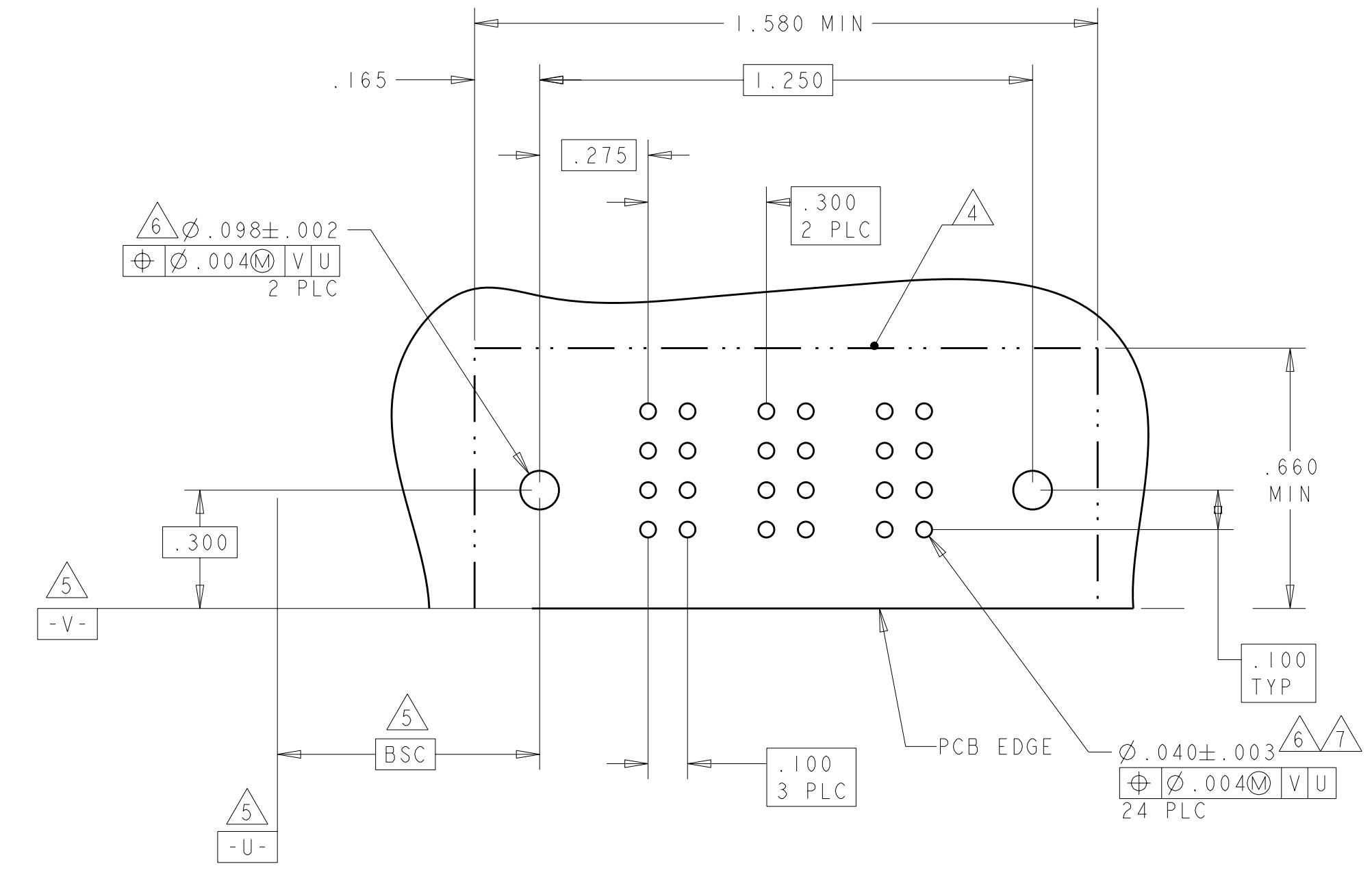
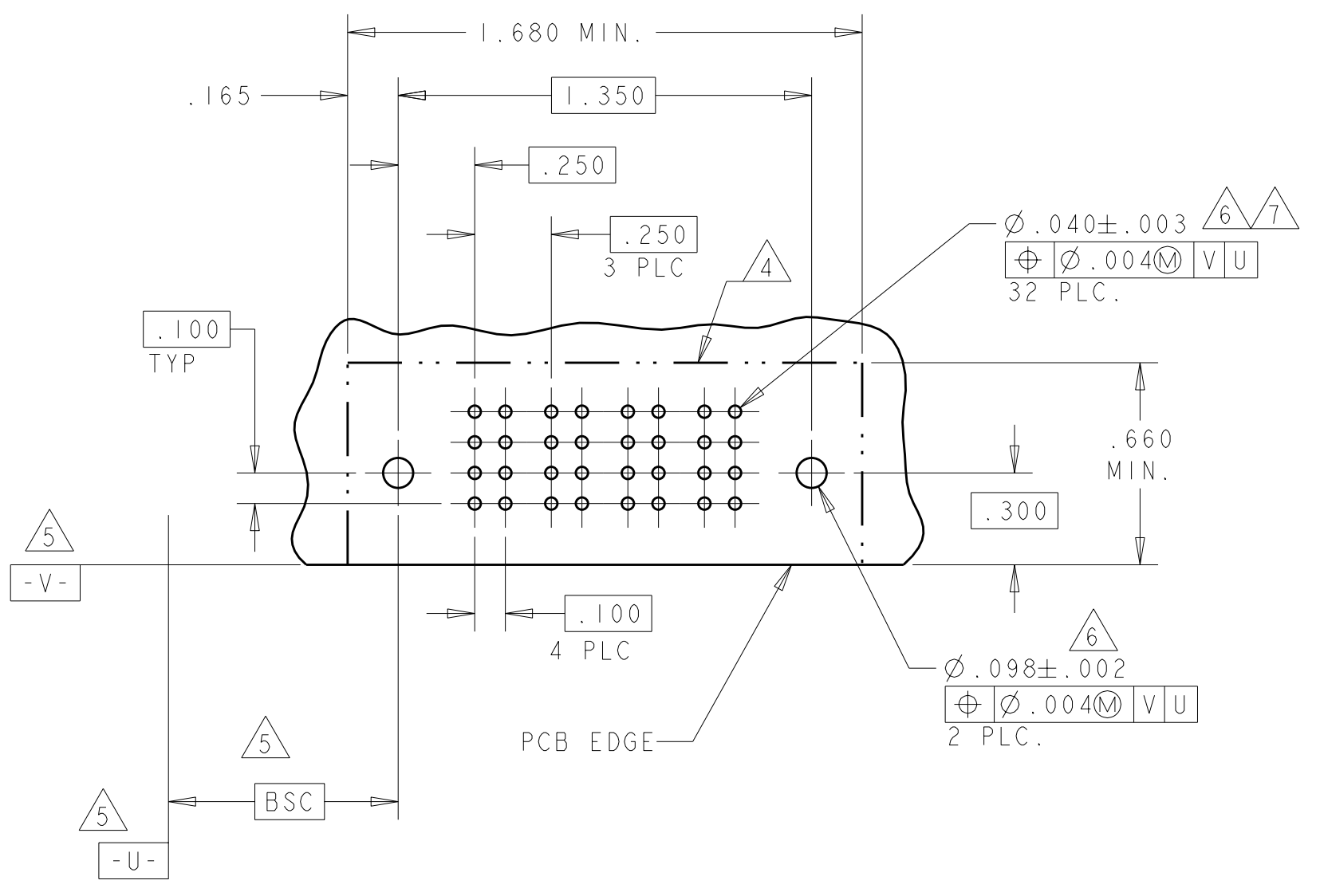
.200	1.300	1.350	.425	1.650	5HDP	6600100-3
.300	1.200	1.250	.475	1.550	3ACP	6600100-2
.250	1.050	1.350	.450	1.650	4P	6600100-1
DIM. S	DIM U	DIM. D	DIM. K	DIM. L	DESCRIPTION	PART NUMBER

DIMENSIONS: INCHES TOLERANCES UNLESS OTHERWISE SPECIFIED: 9 PLC ±. 1 PLC ±.01 2 PLC ±.01 3 PLC ±.005 4 PLC ±.0020 ANGLES ±.5° FINISH:		DWN: R. GRZYBOWSKI 13JUN05 CHK: M. PERCHERKE 13JUN05 APVD: M. PERCHERKE PRODUCT SPEC: 108-1973 APPLICATION SPEC: 114-13038 WEIGHT: - CUSTOMER DRAWING		Tyco Electronics Harrisburg, PA 17105-3608 NAME: RIGHT ANGLE HEADER ASSEMBLY W/GUIDES MULTI-BEAM XL (DUAL-BEAM POWER) SIZE: A1 CAGE CODE: 00779 DRAWING NO: 6600100 SCALE: 2:1 SHEET: 1 OF 3 REV: C	
---	--	---	--	---	--

LOC		DIST		REVISIONS			
GP	00	P	LTR	DESCRIPTION	DATE	DWN	APVD
				SEE SHEET 1			

PART NUMBER	ROWS		POWER				
			P1	P2	P3	P4	
6600100-1	D C B A		PS	PS	PS	PS	
4P							

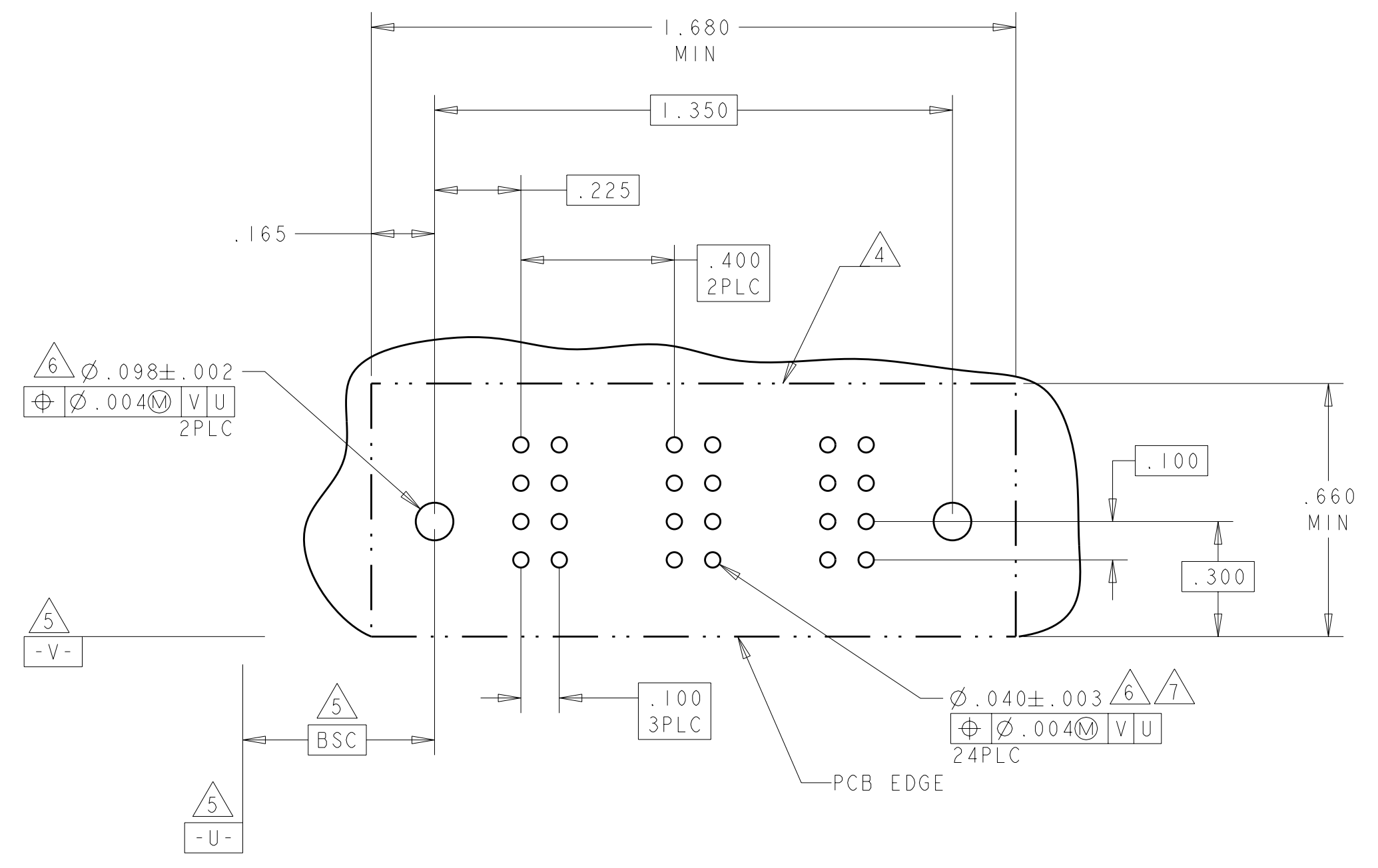
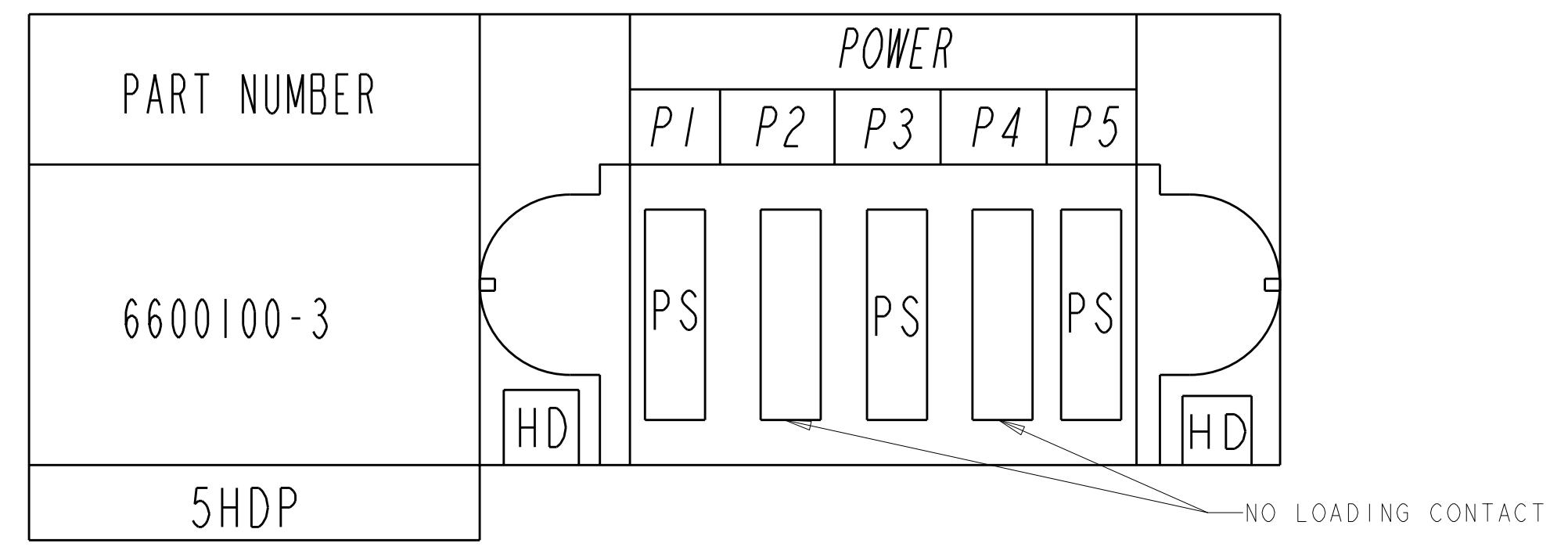
PART NUMBER	ROWS		POWER			
			P1	P2	P3	
6600100-2	D C B A		PS	PS	PS	
3ACP						



PS	.135
CODE	TAIL LENGTH
POWER CONTACT	

DIMENSIONS: INCHES 		TOLERANCES UNLESS OTHERWISE SPECIFIED: 9 PLC ± 1 PLC ±.01 5 PLC ±.005 4 PLC ±.0020 ANGLES ±.02°		DWN R. GRZYBOWSKI 13JUN05 CHK M. PERCHERKE 13JUN05 APVD M. PERCHERKE PRODUCT SPEC 108-1973 APPLICATION SPEC 114-13038 WEIGHT CUSTOMER DRAWING		Tyco Electronics Harrisburg, PA 17105-3608 NAME RIGHT ANGLE HEADER ASSEMBLY W/GUIDES MULTI-BEAM XL (DUAL-BEAM POWER) SIZE CAGE CODE DRAWING NO RESTRICTED TO A11 00779 C-6600100 SCALE 2:1 SHEET 2 OF 3 REV C	
---------------------------	--	--	--	---	--	---	--

LOC	DIST	REVISIONS					
GP	00	P	LTR	DESCRIPTION	DATE	DWN	APVD
		-	-	SEE SHEET 1	-	-	-



<small>THIS DRAWING IS UNPUBLISHED. RELEASED FOR PUBLICATION BY TYCO ELECTRONICS CORPORATION. IT IS SUBJECT TO CHANGE WITHOUT NOTICE AND WITHOUT OBLIGATION. SHOULD BE CONTACTED FOR THE LATEST REVISION.</small>		DWN R. GRZYBOWSKI 13JUN05 CHK M. PERCHERKE 13JUN05	Tyco Electronics Harrisburg, PA 17105-3608
DIMENSIONS: INCHES	TOLERANCES UNLESS OTHERWISE SPECIFIED: 9 PLC ±. 1 PLC ±.01 2 PLC ±.01 3 PLC ±.005 4 PLC ±.0020 ANGLES ±.2°	NAME: R. GRZYBOWSKI PRODUCT SPEC: 108-1973 APPLICATION SPEC: 114-13038 WEIGHT: - CUSTOMER DRAWING	NAME: RIGHT ANGLE HEADER ASSEMBLY W/GUIDES MULTI-BEAM XL (DUAL-BEAM POWER) SIZE: A1 CAGE CODE: 00779 DRAWING NO: C=6600100 RESTRICTED TO: - SCALE: 2:1 SHEET 3 OF 3 REV C