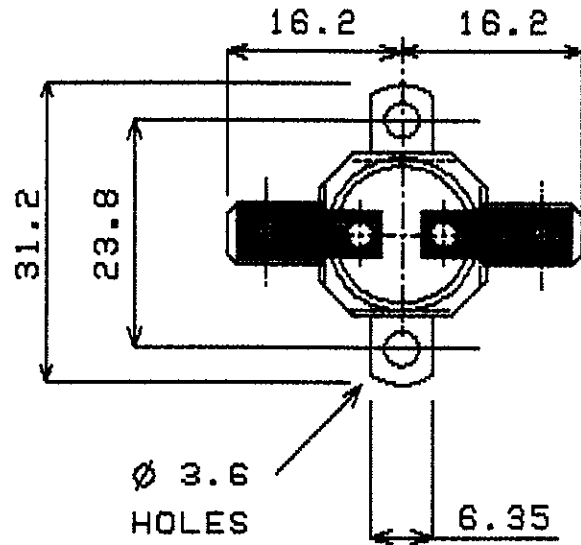


DO NOT SCALE ALL DIMENSIONS ARE FOR REFERENCE ONLY

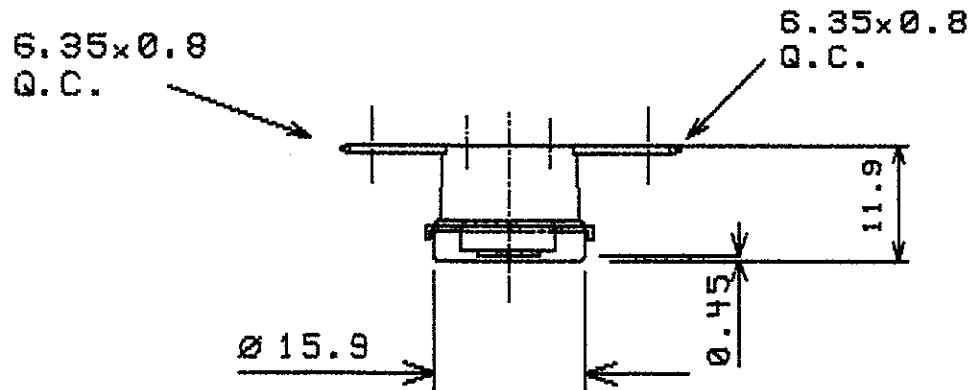
OPERATING CRITERIA



VOLTS: 240      AMPS: 10      HZ:



OPERATING TEMPS. DEG. C

OPEN: 125 ± 4  
CLOSE: 110 ± 5



NOTE: ORIENTATION OF BRACKET IS NOT FIXED

ISSUE	A	B								
MOD No	2052	2050								
MTH/YR	3/97	7/98								

<u>CODING REQUIREMENTS</u> COLOUR: LASER CODE L125C RP 9100 440 XXX (XXX = DATE CODING)	CAP: B200      MAT'L: ALUMINIUM BRK/T: B2026      MAT'L: STEEL PLATING: NICKEL	ELMWOOD DEVICE & UNIQUE PART No. 2455RP-9100-440	ELMWOOD DRG No. 965208	ISSUE B
	TERMINAL: T146      : T146 MATERIAL: BRASS      : BRASS PLATING: NICKEL      : NICKEL	 ELMWOOD SENSORS LTD	DATE OF ISSUE STAMP  7 JUL 1998	