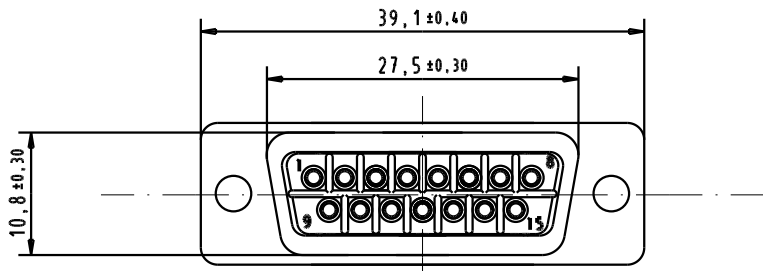
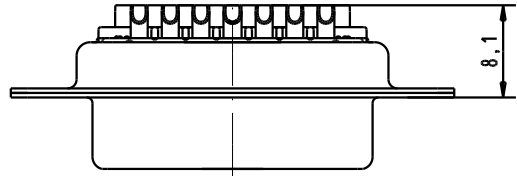
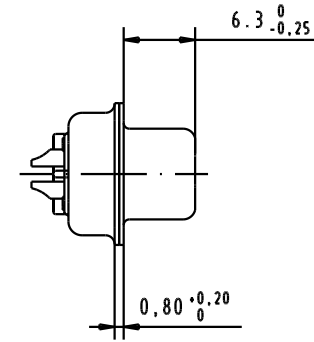
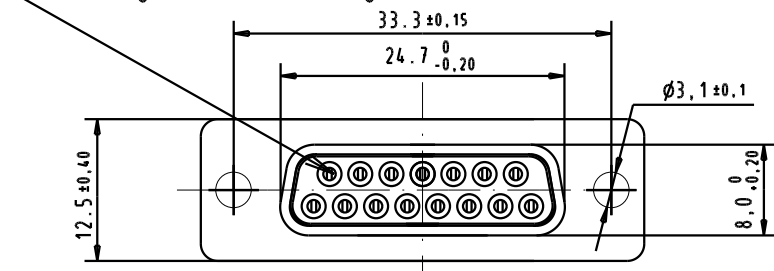


Mating face according to : MIL-C-24308 / DIN 41652 / CECC 75.01-802



- 1) Protection standard IP 67 according to IEC 529 / DIN 40050.
- 2) Cable: AWG 20 max



D

C

B

A

09 67 415 4715	Au plating 0,76 µm mini
Part Number	Performance Level

				Dat.	Name	 All Dim. in mm Orig. Size DIN A 4
			Detail.	15/02/04	S.H.	
			Insp.			
			Stand.			
31587	15/02/04	S.H.	HARTING ELEKTRONIK F-95972 Paris			
Mod.	Dat.	Name				

D-SUB IP67 female 15 Poles straight solder cup		Moßstab/ Scale
TB 09 67 415 4715		Blatt/ Page
Sub.		