

THE INFORMATION CONTAINED HEREIN IS CONSIDERED "PROPRIETARY" TO BEL FUSE INC. AND SHALL NOT BE COPIED, REPRODUCED OR DISCLOSED WITHOUT THE WRITTEN APPROVAL OF BEL FUSE INC.

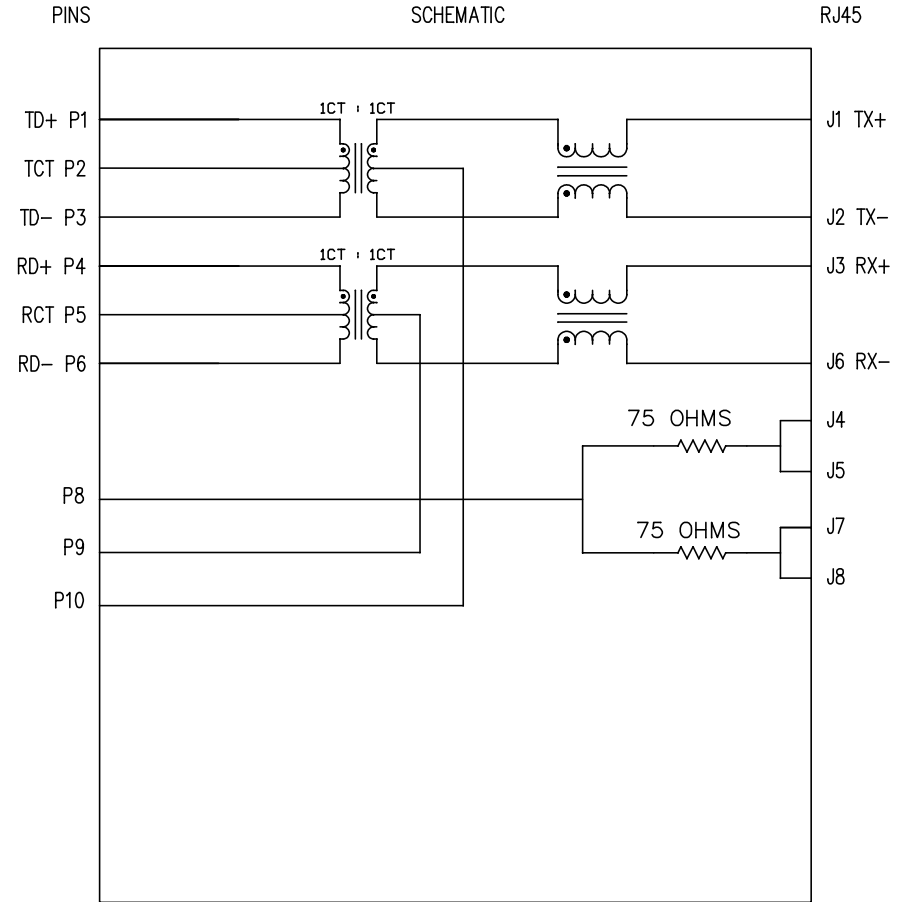
PRELIMINARY



**ELECTRICAL CHARACTERISTICS @ 25°C**

- 1.0 INDUCTANCE:
  - (P6-P4) : 350uH MIN. @ 0.1V, 100KHz, 8mA DC BIAS
  - (P3-P1) : 350uH MIN. @ 0.1V, 100KHz, 8mA DC BIAS
- 2.0 TURNS RATIO:
  - (P6-P5-P4):(J6-J3) : 1CT : 1CT ± 3%
  - (P3-P2-P1):(J2-J1) : 1CT : 1CT ± 3%
- 3.0 LEAKAGE INDUCTANCE:
  - (P6-P4) WITH J6-J3 SHORT : 0.3uH MAX. @1MHZ
  - (P3-P1) WITH J2-J1 SHORT : 0.3uH MAX. @1MHZ
- 4.0 INTERWINDING CAPACITANCE:
  - (P6-P5-P4) TO (J6-J3) : 30pF MAX. @1MHZ
  - (P3-P2-P1) TO (J2-J1) : 30pF MAX. @1MHZ
- 5.0 DC RESISTANCE:
  - (J6-J3) : 1.2 OHMS MAX.
  - (J2-J1) : 1.2 OHMS MAX.
- 6.0 RETURN LOSS: (P6-P4)=100 OHMS AND (P1-P3)=100 OHM REF.
  - 1MHz TO 30MHz : 18dB MIN.
  - 60MHz TO 80MHz : 12dB MIN.

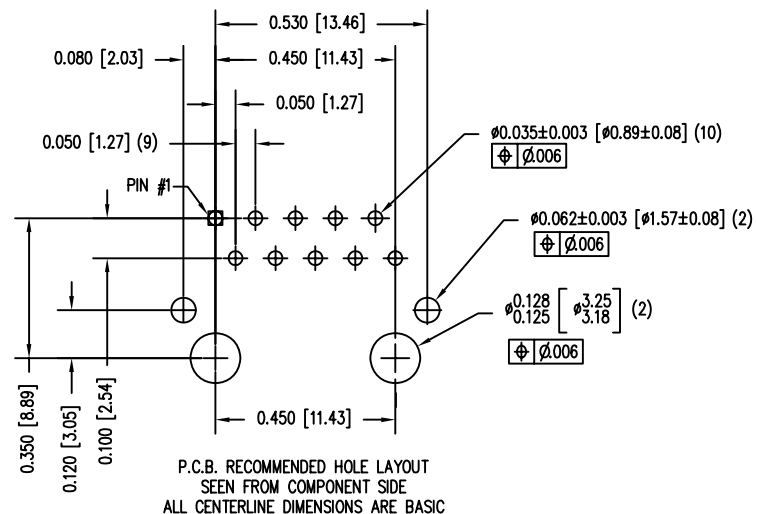
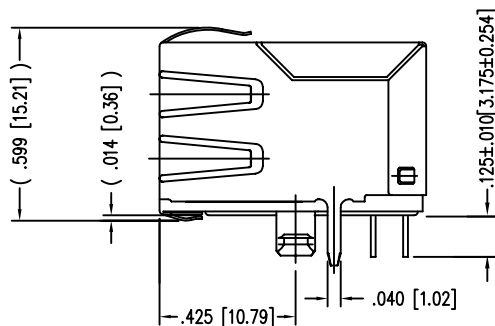
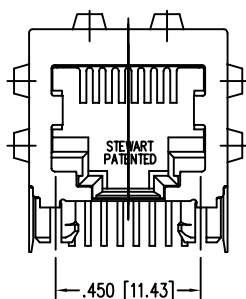
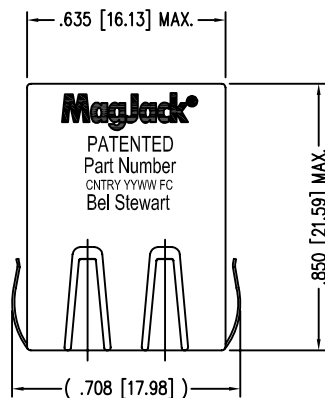
NOTE: 100 OHMS CONNECTED TO (J2-J1) OR (J6-J3).
- 7.0 DIELECTRIC WITHSTAND:
  - (J1, J2) TO (P1, P3) : 1500 VAC
  - (J3, J6) TO (P4,P6) : 1500 VAC
- 8.0 INSERTION LOSS: RS=RL=100 ohms
  - 100KHz TO 100MHz : 1.1 dB TYP
- 9.0 RISE TIME: RS=100 OHMS AND RL = 100 OHMS
  - OUTPUT VOLTAGE = 1 V peak : 3.0 nS MAX
  - PULSE WIDTH= 112nS : 3.0 nS MAX
- 10. CROSS TALK:
  - 1MHz TO 100MHz : 40 dB TYP
- 11.0 COMMON TO COMMON MODE ATTENUATION:
  - 30MHz TO 100MHz : 35dB TYP
- 12.0 CURRENT CAPABILITY: : 350mA MAX.



NOTE: PINS WITHOUT ELECTRICAL CONNECTION ARE OMITTED

ORIGINATED BY RS ZHANG	DATE 03-25-10	TITLE <b>MagJack®</b> 10/100BT TAB DOWN, SHIELDED PATENTED	PART NO. / DRAWING NO. SI-62004-F	STANDARD DIM. TOL. IN INCH	[ ] METRIC DIM. AS REFERENCE		 COMPONENTS FOR A CONNECTED PLANET
DRAWN BY RS ZHANG	DATE 03-25-10		FILE NAME SI-62004-F.DWG	.X	UNIT : INCH [mm]	REV. : X0	
				.XX	SCALE : N/A	SIZE : A4	
			.XXX	±0.005		PAGE : 2	

THE INFORMATION CONTAINED HEREIN IS CONSIDERED "PROPRIETARY" TO BEL FUSE INC. AND SHALL NOT BE COPIED, REPRODUCED OR DISCLOSED WITHOUT THE WRITTEN APPROVAL OF BEL FUSE INC.



NOTES:

- CONNECTOR MATERIALS:  
HOUSING: THERMOPLASTIC UL94 V-0  
CONTACT/SHIELD: COPPER ALLOY  
SHIELD PLATING: NICKEL OR TIN  
CONTACT PLATING: SELECTIVE GOLD,  
50 MICRO-INCHES MIN. IN CONTACT AREA.
- PIN NOT ELECTRICALLY CONNECTED MAYBE OMITTED.  
SEE ELECTRICAL DRAWING FOR OMITTED PINS.
- TOLERANCES COMPLY WITH F.C.C. DIMENSION REQUIREMENTS.
- ALL TOLERANCES NOT OTHERWISE SPECIFIED TO BE ±.005 [0.13]
- WAVE SOLDER COMPATIBLE - PREHEAT 125°C/90SECS.  
HIGH TEMPERATURE REFLOW COMPATIBLE - 230°C/90 SEC MAX. CAPABILITY.

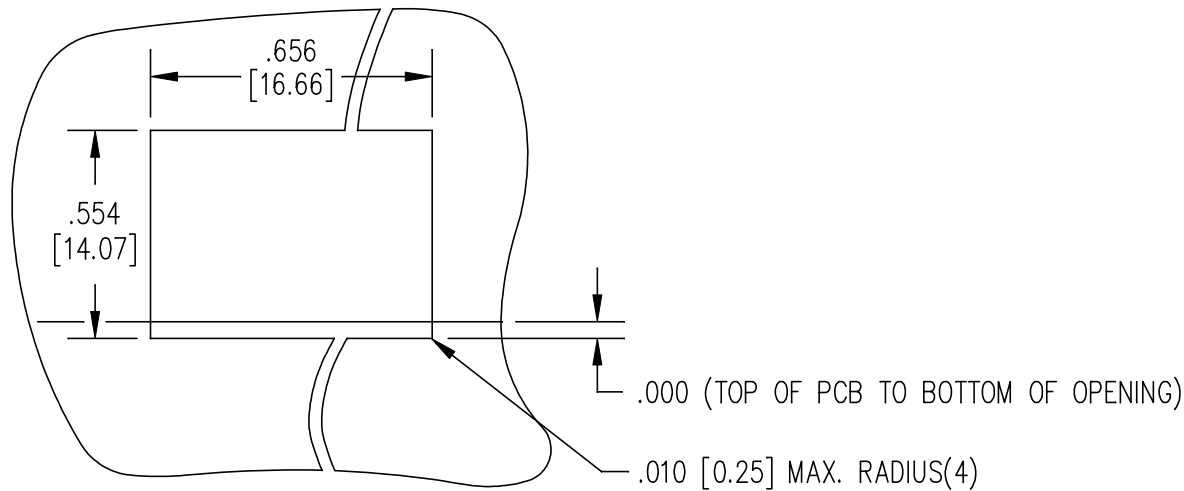
ORIGINATED BY	DATE	TITLE	PART NO. / DRAWING NO.	STANDARD DIM. TOL. IN INCH	[ ] METRIC DIM. AS REFERENCE	 COMPONENTS FOR A CONNECTED PLANET	
RS ZHANG	03-25-10	<b>MagJack®</b> 10/100BT TAB DOWN, SHIELDED PATENTED	SI-62004-F	.X	UNIT : INCH [mm]		REV. : X0
DRAWN BY	DATE		FILE NAME	.XX	SCALE : N/A		SIZE : A4
RS ZHANG	03-25-10		SI-62004-F.DWG	.XXX	±0.005		PAGE : 3

THE INFORMATION CONTAINED HEREIN IS CONSIDERED "PROPRIETARY" TO BEL FUSE INC. AND SHALL NOT BE COPIED, REPRODUCED OR DISCLOSED WITHOUT THE WRITTEN APPROVAL OF BEL FUSE INC.

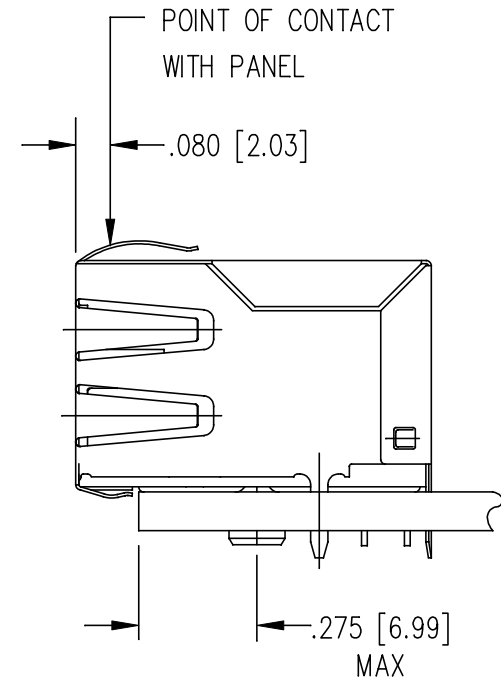
RoHS  
2002/95/EC



PRELIMINARY



SUGGESTED PANEL OPENING



THE SUGGESTED PANEL OPENING IS INTENDED TO GIVE THE USER THE ABILITY TO HAVE REASONABLE JACK / PANEL CLEARANCES YET MAINTAIN RELIABLE GROUNDING CAPABILITY.

ORIGINATED BY RS ZHANG	DATE 03-25-10	TITLE <b>MagJack®</b> 10/100BT TAB DOWN, SHIELDED PATENTED	PART NO. / DRAWING NO. SI-62004-F	STANDARD DIM. TOL. IN INCH	[ ] METRIC DIM. AS REFERENCE	 COMPONENTS FOR A CONNECTED PLANET
DRAWN BY RS ZHANG	DATE 03-25-10	FILE NAME SI-62004-F.DWG	.X	UNIT : INCH [mm]	REV. : X0	
			.XX	SCALE : N/A	SIZE : A4	
			.XXX	±0.005	PAGE : 4	