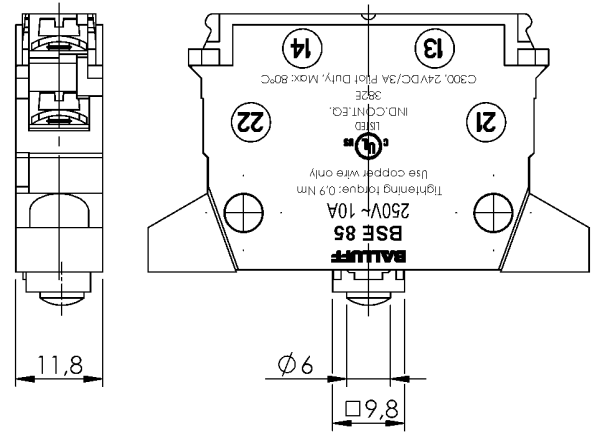
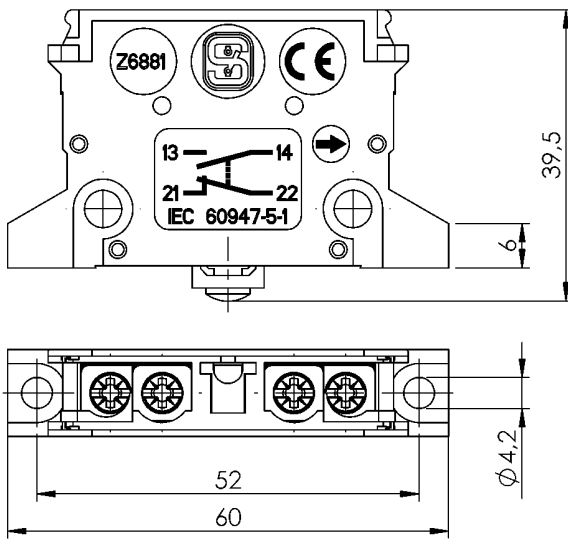


Mechanical Cam Switches
BSE 85-RK
 Order Code: BSE000N

BALLUFF



Basic features

Bounce time max.	3.00 ms
Switching time	5 ms

Electrical connection

Connection	M3.5
Connection type	1. Switch position: Screw terminal

Electrical data

Contact resistance max.	40 mOhm
Contact resistance max., note	New condition
Continuous current	1. Switch position: 6.0 A
Mechanical life expectancy min.	1 mil. switching operations
Minimum load at 24 V DC	20 mA
Nominal voltage	250 VAC
Switching actuation force max.	18.00 N
Switching operations per minute	160
Switching principle	Snap switch
Switchover time max.	10 ms

Environmental conditions

Ambient temperature	-5...85 °C
---------------------	------------

Material

Cover material	Thermoplast
Housing material	Thermoplast, GF
Material contacts	Silver
Material contacts	1. Switch position: Silver

Mechanical data

Connection cross-section	1.5 mm ²
Tightening torque max.	120 Ncm