

6

5

4

3

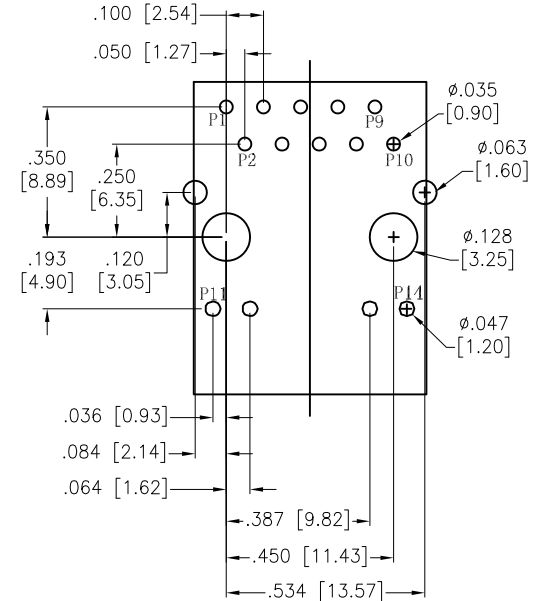
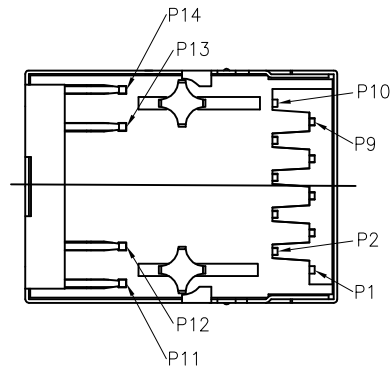
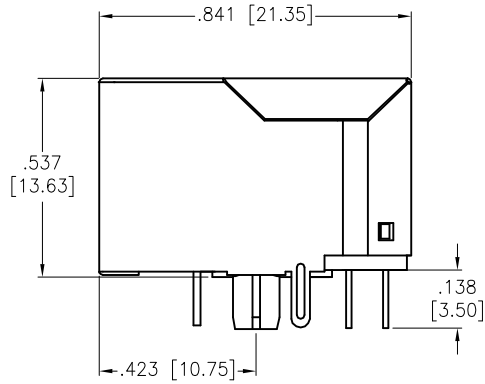
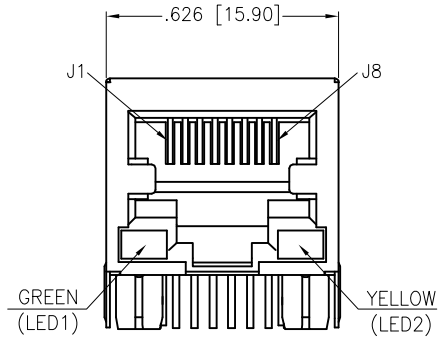
2

1

APPROVED: _____

DATE: _____ TITLE: _____

Rev	AWO #	Description	Date	Appr
-		RELEASED	11/13/18	



RECOMMENDED PCB LAYOUT

SPECIFICATIONS:

Material:
 Insulator: Thermoplastic, rated UL 94V-0
 Insulator color: Black
 Contacts: Phosphor Bronze
 Shield: Brass, Nickel plated
 Plating:
 Round contact
 Gold over Nickel underplate overall
 Flat contact
 Gold over Nickel underplate on contact area,
 Tin over Nickel underplate on solder tails
 Electrical:
 Voltage rating: 150 VAC
 Contact Resistance: 20 mohms max
 Insulation resistance: 500 Mohms min
 Dielectric withstanding voltage: 2,250 VDC
 Temperature Rating:
 Operating temperature: 0 to +70°C
 Environmental:
 Lead free, RoHS compliant.



UNLESS OTHERWISE SPECIFIED ALL DIMENSIONS ARE INCHES [MM] TOLERANCES: EXCEPT AS NOTED			
INCHES		HOLES	
.X ± .10	Ø.X ± .10		
.XX ± .020	Ø.XX ± .015		
.XXX ± .015	Ø.XXX ± .010		
APPROVALS		DATE	
DRAWN	AY	11/13/18	
CHECKED	NL	11/13/18	
APPROVED			

ADAM TECH
 INTERCONNECTS
 909 Rahway Avenue,
 Union, NJ 07083
 Phone: 908-687-5000
 Fax: 908-687-5710

TITLE MODULAR JACK, 1 PORT, 8P8C W/ LED1 GREEN, LED2 YELLOW		
SIZE X	PART NO. MTJ-88TX1-FSD-LH1-M47C1	REV. -
REF: S00005C	SCALE: NTS	SHEET 1 OF 2

6

5

4

3

2

1

6

5

4

3

2

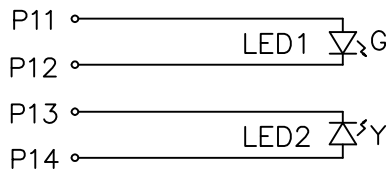
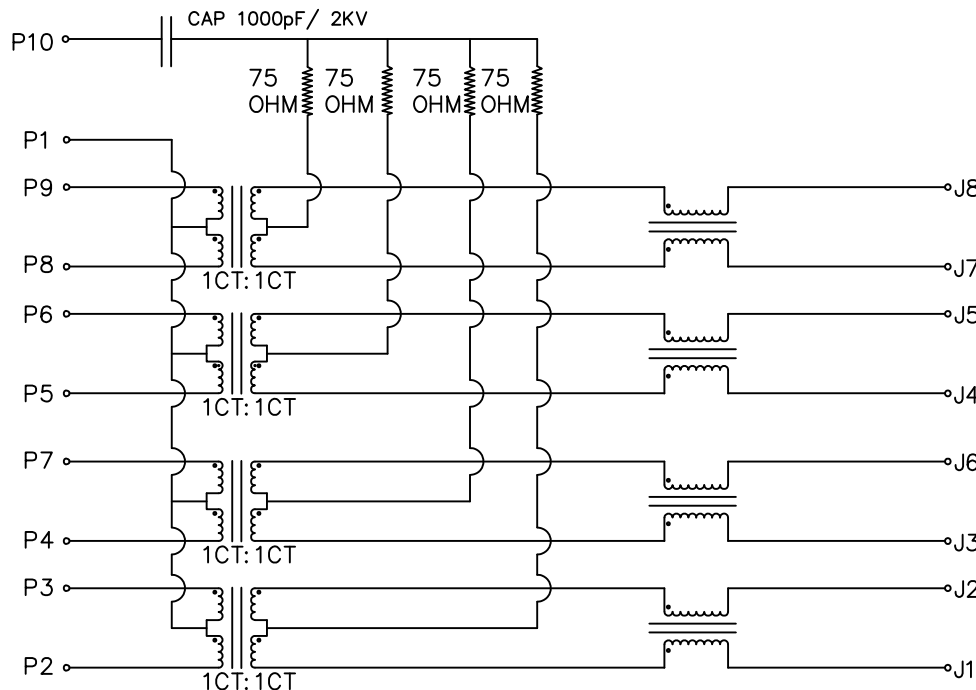
1

APPROVED: _____

DATE: _____ TITLE: _____

Rev	AWO #	Description	Date	Appr
-----	-------	-------------	------	------

SEE SHT 1 OF 2 FOR REVISION



LED1	Green	LED2	Yellow
P11	+	P13	-
P12	-	P14	+

Electronical Specifications:

- Turn Ratio @100KHz: (P2~P3):(J1~J2) = 1:1±5%
(P4~P7):(J3~J6) = 1:1±5%
(P5~P6):(J4~J5) = 1:1±5%
(P8~P9):(J7~J8) = 1:1±5%
- Primary Inductance: 350uH MIN @100KHZ,0.1V 8mA DC BIAS
- DC Resistance: 1.2 OHMS MAX
- Insertion Loss: 1-100MHz -1.0dB MAX
100-125MHz -1.2dB MAX
- Return Loss: 1-40MHz -16dB MIN
40-60MHz -12dB MIN
60-80MHz -10dB MIN
80-100MHz -8dB MIN
- CROSS TALK: 1-100MHz -30dB MIN
- COMMON TO COMMON MODE ATTENUATION: 1-100MHz -30dB MIN
- Isolation: PHY Side to Line Side: 2250VDC

UNLESS OTHERWISE SPECIFIED
ALL DIMENSIONS ARE INCHES [MM]
TOLERANCES: EXCEPT AS NOTED
INCHES HOLES

.X ± .10	Ø.X ± .10
.XX ± .020	Ø.XX ± .015
.XXX ± .015	Ø.XXX ± .010

ADAM TECH
INTERCONNECTS

909 Rahway Avenue,
Union, NJ 07083
Phone: 908-687-5000
Fax: 908-687-5710

TITLE
MODULAR JACK, 1 PORT, 8P8C
W/ LED1 GREEN, LED2 YELLOW

APPROVALS		DATE
DRAWN	AY	11/13/18
CHECKED	NL	11/13/18
APPROVED		

SIZE	PART NO.	REV.
X	MTJ-88TX1-FSD-LH1-M47C1	-
REF: S00005C	SCALE: NTS	SHEET 2 OF 2

6

5

4

3

2

1